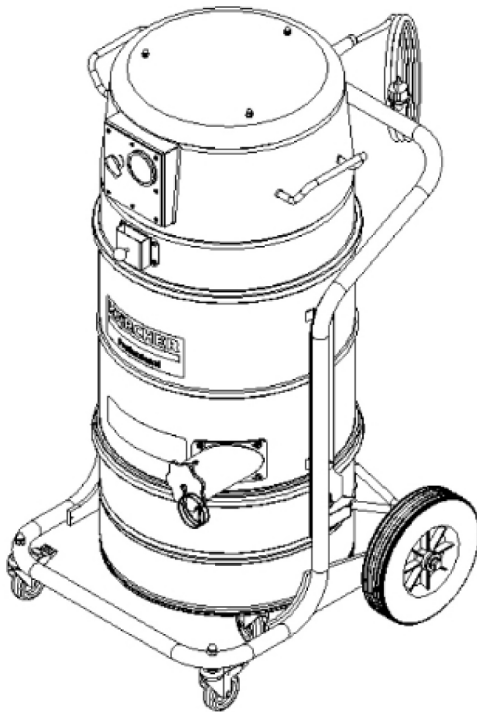


IVM 40/12-1 M Z22

English
العربية

5
16

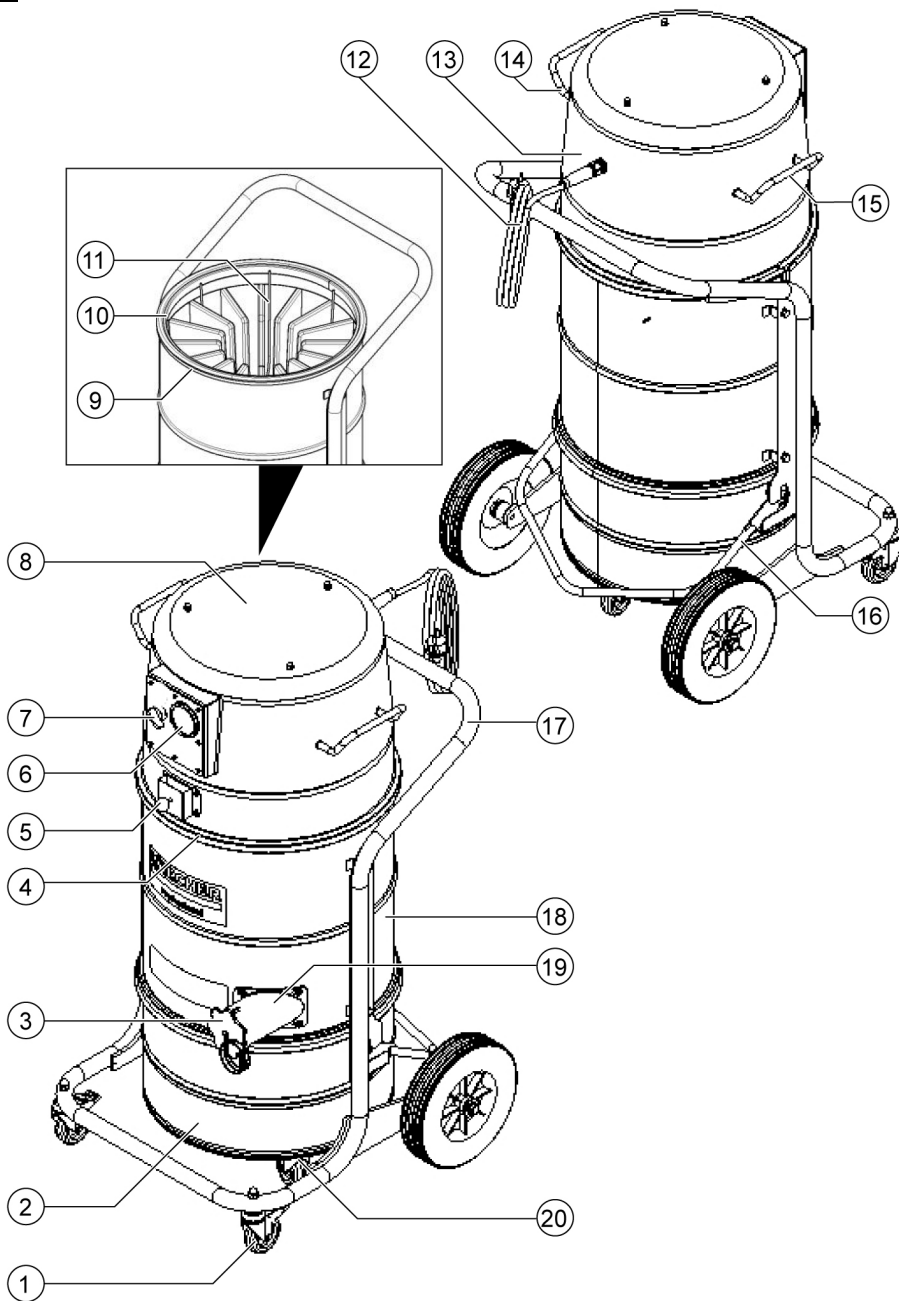


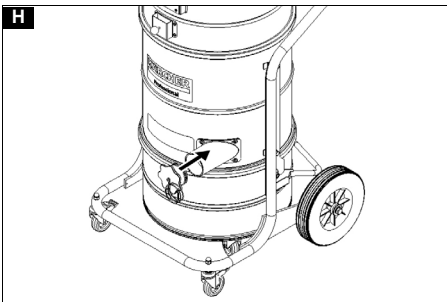
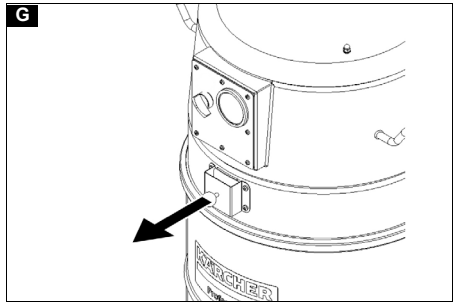
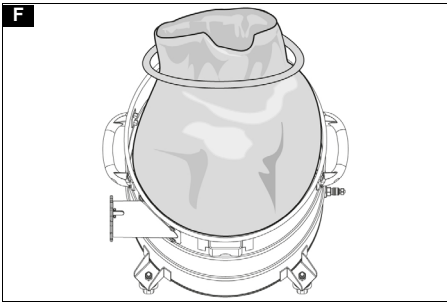
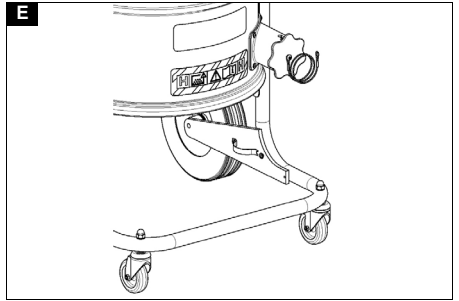
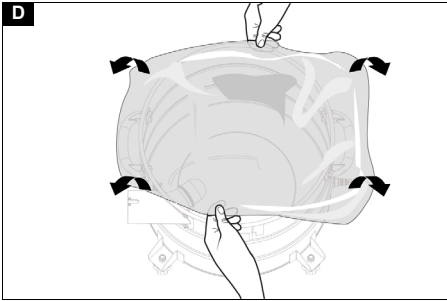
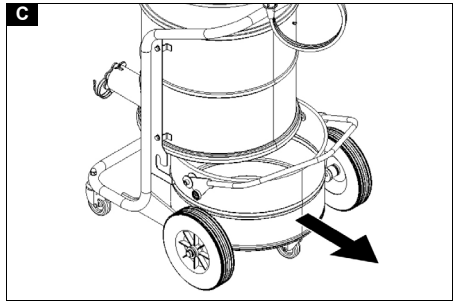
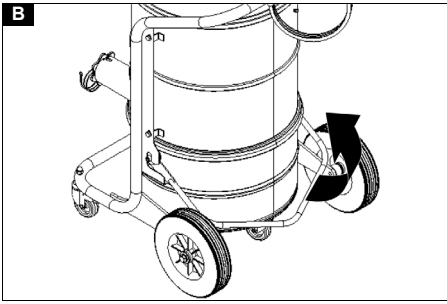
**Register
your product**
www.kaercher.com/welcome



99906140 (09/23)







Contents

General instructions	5
Safety information	5
Intended use	6
Environmental protection	6
Accessories and spare parts.....	7
Scope of delivery	7
Device description.....	7
Symbols on the device	7
Initial startup.....	8
Operation	8
Transport.....	11
Storage	11
Care and maintenance.....	11
Troubleshooting guide.....	13
Disposal	13
Warranty.....	13
Technical data	14
Declaration of Conformity	14

General instructions



Read these original instructions before using your device for the first time, adhere to the instructions contained therein and store them for later reference or subsequent owners.

- Be sure to read the safety instructions no. 5.956-249.0 prior to the initial start-up.
- If the operating instructions and safety instructions are not observed, the device can be damaged and dangers could arise for users and other persons.
- Notify the dealer immediately in the case of shipping damage.

Safety information

Hazard levels

⚠ DANGER

- Indication of an imminent threat of danger that will lead to severe injuries or even death.

⚠ WARNING

- Indication of a potentially dangerous situation that may lead to severe injuries or even death.

⚠ CAUTION

- Indication of a potentially dangerous situation that may lead to minor injuries.

ATTENTION

- Indication of a potentially dangerous situation that may lead to damage to property.

General safety instructions

⚠ DANGER • Only trained personnel are permitted to use the device and the substances for which it is to be used, including the safe procedure for disposing of the vacuumed material. • An air exchange rate L must be present in the room when the exhaust gas is returned into the room. To remain within the required limit values, the volume flow of returned air must be no greater than 50% of the fresh air volume (room volume V_R x air exchange rate L_W). Without special ventilation measures, the following applies: $L_W=1h^{-1}$. • This device contains dust that is harmful to your health. Emptying and maintenance, including removal of the dust bag, may only be performed by technical specialists wearing suitable personal protective equipment. • Only vacuum with all filter elements in place, otherwise the suction motor will be damaged and there will be a health risk due to increased fine dust emissions. • Observe the applicable safety instructions for the materials being vacuumed. • Observe the safety regulations for the materials to be vacuumed. Parts of the device can heat up to temperatures of up to 125 °C during proper/improper operation. • The accessories approved by the manufacturer are electrically conductive. Do not use any other accessories. • Use of an extension cable is prohibited.

⚠ WARNING • The device must not be used or stored outdoors in wet conditions. • Apply the parking brake at the steering roller to ensure a secure footing for the device. The device may move uncontrollably if the parking brake is open. • The device is not suitable for the suctioning or vacuuming of flammable liquids (flammable, easily flammable, highly flammable according to Dangerous Substances Directive 67/548/EEC) (flash point below 55 °C) and mix-

tures of flammable dusts and liquids. • The device is not suitable for the vacuuming of dusts with extremely low minimum ignition energy (ME <1 mJ), e.g. toner, mesh, aluminium powder, lead acid suitable. • The device is not suitable for sucking up ignition sources and dusts with a glow temperature ≤ 190 °C. • Every time before use, check whether the equipotential bonding conductors (earthing conductors) are connected.

⚠ **CAUTION** • Switch off the device at the power switch and unplug the mains plug in the case of longer breaks in operation and after use. • The device may only be plugged in outside zone 22.

Note • Note that additional regulations may apply to dusts with an ignition energy below 1 mJ.

Behaviour in the event of an emergency

⚠ **DANGER**

Risk of injury and damage in the event of a short-circuit or other electrical faults

Danger of electric shock, danger of burns
Switch off the device and unplug the mains plug.

Behaviour in case of filter breakage / leakage:

1. Switch off the unit immediately.
The unit may not be operated without the fresh water filter.
2. Replace the filter.

Intended use

The device is intended for:

- Vacuuming dry, non-flammable, deposited dusts hazardous to health; dust class M according to EN 60335-2-69
- For vacuuming dusts of the dust groups IIIC, IIIB and IIIA
- Extraction of combustible dusts in zone 22
- Vacuuming of moist substances
- Industrial use, e.g. in storage and production areas
- Use above ground

The device's correct function is only guaranteed when using suction hose nominal widths of DN40 and DN50.

Any other use constitutes improper use.

The device is not suitable for:

- Vacuuming of ignition sources and dusts with a glow temperature ≤ 190 °C
- vacuuming of explosive or equivalent substances as defined in §1 SprengG, explosive steam/air mixtures, as well as Al and Mg dusts
- vacuuming of flammable liquids (flammable, easily flammable, highly flammable according to Dangerous Substances Directive 67/548/EEC) (flash point below 55 °C) and mixtures of flammable dusts and liquids
- vacuuming of magnesium dust or powder
- vacuuming of mixtures of flammable liquids and flammable dust
- vacuuming smouldering or hot particles; this could otherwise result in a fire or an explosion
- Vacuuming of carcinogens
- Connection to a dust-generating machine

Environmental protection



The packing materials can be recycled. Please dispose of packaging in accordance with the environmental regulations.



Electrical and electronic devices contain valuable, recyclable materials and often components such as batteries, rechargeable batteries or oil, which - if handled or disposed of incorrectly - can pose a potential danger to human health and the environment. However, these components are required for the correct operation of the device. Devices marked by this symbol are not allowed to be disposed of together with the household rubbish.

Notes on the content materials (REACH)

Current information on content materials can be found at: www.kaercher.de/REACH

Accessories and spare parts

⚠ DANGER

Risk of explosion when used with non-permitted accessories

Only use accessories permitted by the manufacturer and with the Ex label for type 22 usage.

Only use original accessories and original spare parts. They ensure that the appliance will run safely and fault-free.

Information on accessories and spare parts can be found at www.kaercher.com.

Note

No accessories are included in the scope of delivery. The accessories must be ordered separately depending on the application.

Scope of delivery

Check the contents for completeness when unpacking. In the event of shipping damage, please notify your dealer.

Device description

For the illustrations, refer to the graphics page

Illustration A

- ① Steering roller with parking brake
- ② Dirt receptacle
- ③ Sealing plug
- ④ Spacer lock
- ⑤ Filter dedusting
- ⑥ Pressure gauge
- ⑦ Suction turbine power switch
- ⑧ Suction head
- ⑨ filter
- ⑩ Sealing ring
- ⑪ Filter hold-down device
- ⑫ Mains cable
- ⑬ Type plate
- ⑭ Carrying handle
- ⑮ Carrying handle
- ⑯ Bow handle of the dirt receptacle
- ⑰ Push handle
- ⑱ Filter ring
- ⑲ Suction hose port
- ⑳ Chassis

Symbols on the device



The device is suitable for vacuuming dusts up to dust class M.

⚠ WARNING

Damage to the skin, lungs and eyes

Expulsion of fine dust during emptying and maintenance work and disposal

Wear the prescribed personal protective gear when performing during emptying and maintenance work, including disposal of the dust bag.



DN 40	MAX	XX,X kPa/ XX,X mbar
DN 50	MAX	XX,X kPa/ XX,X mbar
DN 70	MAX	XX,X kPa/ XX,X mbar

The maximum vacuum value in relation to the hose cross-section is specified on the label. The actual value can be read on the pressure gauge. For the values applicable to this device, see chapter *Reading the minimum volumetric flow*. If this value is not reached, the filter must be cleaned (see chapter *Dedusting the filter*) or replaced (see chapter *Replacing the filter*). The various different hose cross-sections allow adaptation to the various different connection cross-sections of the accessories.



Do not vacuum any sources of ignition! Suitable for vacuuming inflammable dusts of dust explosion classes in zone 22.



Filter
(Order no. 9.990-222.0)



Dust bag
(Order no. 9.989-606.0)

Initial startup

⚠ WARNING

Potential equalisation line not connected correctly

Electric shock

Every time before use, check whether the equipotential bonding conductor (earthing conductors) are connected.

⚠ WARNING

Danger from dust that is harmful to your health

Respiratory sicknesses through inhalation of dust.

Do not vacuum without correctly installed filter elements, otherwise a danger to health from increased fine dust emission is present.

ATTENTION

Missing filter element

Damage to the suction motor

Do not vacuum without a filter element.

1. Bring the device into the working position.
2. Secure the device with the parking brakes.
3. Ensure that the suction head is fitted correctly.
4. Insert the suction hose (not included in the scope of delivery) into the suction connection.
5. Check the filling level in the dirt receptacle (see chapter *Check the dirt receptacle filling level*).
6. Empty the dirt receptacle if necessary (see chapter *Emptying the dirt receptacle*).
7. Fit the dust bag before dry vacuuming (see chapter *Dry vacuuming*).
8. Fit the desired accessory (not included in the scope of delivery) onto the suction hose.

Check the dirt receptacle filling level

The dirt receptacle must be emptied when filled to the lower edge of the suction hose port on the dirt receptacle. The device does not switch off automatically if the maximum filling level is exceeded.

1. Check the dirt receptacle filling level regularly.

Anti-static system

Static charges are discharged through the earthed connection nozzles. This prevents sparking and electric shocks with electrically conductive accessories approved by the manufacturer.

Operation

The device is suitable for vacuuming fine dust up to dust class M.

⚠ WARNING

Danger from dust that is harmful to your health

Respiratory sicknesses through inhalation of dust.

Do not vacuum without correctly installed filter elements, otherwise a danger to health from increased fine dust emission is present.

ATTENTION

Danger due to fine dust entering

Risk of damage to the suction motor.

Never remove the filter element when vacuuming.

Dry vacuuming

Note

The device is an industrial vacuum cleaner for vacuuming dry, flammable dusts.

Switching from wet to dry vacuuming

ATTENTION

Switching from wet to dry vacuuming

Risk of damage to the filter

Do not vacuum dry dust with a wet filter element because this clogs the filter and can make it unusable.

1. Allow the wet filter to dry completely or replace it with a dry filter before using the device for dry vacuuming.
2. Replace the filter if necessary.

Fitting the dust bag

1. Secure the device with the parking brakes.

Illustration B

2. Pull the bow handle up.
The dirt receptacle is unlocked and lowered.

Illustration C

3. Pull the dirt receptacle out of the device by the bow handle.

Illustration D

4. Fit the dust bag in the dirt receptacle and carefully position it against the container wall and the container floor.
5. Fold the edge of the dust bag over the edge of the dirt receptacle to the outside.

⚠ **WARNING**

Improper handling when locking the dirt receptacle

Risk of crushing

Under no circumstances should you hold your hands between the dirt receptacle and filter ring or allow them to come close to the lifting mechanism while locking it.

Lock the dirt receptacle by operating the bow handle with both hands.

Illustration E

ATTENTION

Static charge of the dirt receptacle

Ignition of dusts

Make sure that the grounding on the chassis is in contact with the dirt receptacle.

6. Fit the dirt receptacle and lock it with the bow handle.

Removing the dust bag

1. Secure the device with the parking brakes.

Illustration B

2. Pull the bow handle up.
The dirt receptacle is unlocked and lowered.

Illustration C

3. Pull the dirt receptacle out of the device by the bow handle.

Illustration F

4. Turn up the dust bag.
5. Seal the dust bag tightly with the cable tie.

6. Remove the dust bag.
7. Dispose of the dust bag in accordance with statutory regulations.

⚠ **WARNING**

Improper handling when locking the dirt receptacle

Risk of crushing

Under no circumstances should you hold your hands between the dirt receptacle and filter ring or allow them to come close to the lifting mechanism while locking it.

Lock the dirt receptacle by operating the bow handle with both hands.

Illustration E

ATTENTION

Static charge of the dirt receptacle

Ignition of dusts

Make sure that the grounding on the chassis is in contact with the dirt receptacle.

8. Fit the dirt receptacle and lock it with the bow handle.

Switching on the device

1. Plug the mains plug into the socket.
2. Switch on the device at the suction turbine power switch.
3. Start vacuuming.

Performing the vacuuming process

1. Regularly check the filling level in the dirt receptacle, since the device does not switch off automatically.
2. If necessary, empty the dirt receptacle (see chapter *Emptying the dirt receptacle*).
3. If necessary, clean the filter (see chapter *Dedusting the filter*) or change/replace the filter (see chapter *Replacing the filter*).

Reading the minimum volumetric flow

A pressure gauge showing the vacuum inside the device is mounted on the front of the device. The filter must be cleaned when the maximum vacuum (see table) is reached (see chapter *Dedusting the filter*). This value depends on the device performance and the suction hose used. If the vacuum is not significantly reduced by de-

dusting, the filter must be replaced (see chapter *Replacing the filter*).

ATTENTION

Exceeding the maximum vacuum

Suction loss

If the specified value is exceeded, the air speed in the suction hose drops below 20 m/s. Clean or replace the filter.

Nominal width of the suction hose	Maximum vacuum
DN40	12.0 kPa (120 mbar)
DN50	7.0 kPa (70 mbar)

Dedusting the filter

The filter must be cleaned if the pressure gauge shows the maximum vacuum (see chapter *Reading the minimum volumetric flow*).

Illustration G

1. Close the inlet opening or the suction hose during the suction process.
2. Pull the flap of the filter dedusting system 3-4 times and hold it open for 1-2 seconds each time.

Switching off the device

1. Switch off the device at the suction turbine power switch.
2. Pull out the mains plug.

Each time after use

Emptying the dirt receptacle

The dirt receptacle must be emptied as necessary and after each use.

The inlet opening or the suction hose are closed.

1. Switch on the device at the suction turbine power switch.
2. Dedust the filter (see chapter *Dedusting the filter*).
3. Switch off the device at the suction turbine power switch.
4. Secure the device with the parking brakes.

Illustration B

5. Pull the bow handle up.
The dirt receptacle is unlocked and lowered.

Illustration C

6. Pull the dirt receptacle out of the device by the bow handle.
7. Empty the dirt receptacle. To do this, remove the dust bag if necessary (see *Removing the dust bag*).

△ WARNING

Improper handling when locking the dirt receptacle

Risk of crushing

Under no circumstances should you hold your hands between the dirt receptacle and filter ring or allow them to come close to the lifting mechanism while locking it.

Lock the dirt receptacle by operating the bow handle with both hands.

Illustration E

ATTENTION

Static charge of the dirt receptacle

Ignition of dusts

Make sure that the grounding on the chassis is in contact with the dirt receptacle.

8. Fit the dirt receptacle and lock it with the bow handle.

Closing the suction connection

△ WARNING

Risk of injury

Damage to the skin, lungs and eyes through fine dust

The suction connection must be closed using the sealing plug after removing the suction hose.

1. Remove the suction hose.

Illustration H

2. Insert the sealing plug precisely into the suction connection.
3. Push the sealing plug in all the way to the end stop.
4. Turn the sealing plug to the right until the suction connection is tightly closed.

Cleaning the device

⚠ WARNING

Improper disposal of waste water

Environmental pollution

Observe the local waste water treatment regulations.

1. Vacuum the inside and outside of the device and clean with a moist cloth.
A vacuum cleaner with the same or better classification must be used for vacuuming the device.
2. If necessary, rinse the accessories (not included in the scope of delivery) with water and dry them.

Storing the device

1. Wind the mains cable onto the cable holders.
2. Store the device in a dry room and secure it against unauthorised use.

Transport

⚠ CAUTION

Failure to observe the weight

Risk of injury and damage

Be aware of the weight of the device during transportation.

1. Close the suction connection for dust-free transport (see chapter *Closing the suction connection*).
2. Release the parking brakes and push the device by the push handle.
3. Grasp the device by the chassis and the push handle for loading.
4. Secure the device against slipping and tipping over when transporting in vehicles.

Storage

⚠ CAUTION

Failure to observe the weight

Risk of injury and damage

Be aware of the weight of the device during storage.

1. Store the device indoors only.

Care and maintenance

⚠ DANGER

Inadvertently starting up device, touching live components

Risk of injury, electric shock

Switch off the device before performing any work on the device.

Remove the mains plug.

⚠ DANGER

Danger from dust that is harmful to your health

Respiratory sicknesses through inhalation of dust.

Wear a breathing protection mask of class P2 or higher and disposable clothing when performing maintenance work (e.g. filter change).

⚠ WARNING

Danger from dust that is harmful to your health

Respiratory sicknesses through inhalation of dust.

Safety devices providing hazard protection must be checked for correct safety-related functionality at least annually by the manufacturer or an appropriately instructed person, e.g. absence of leaks, filter damage, functionality of the monitoring devices.

ATTENTION

Care agents containing silicone

These can attach plastic components.

Do not use care agents containing silicone for cleaning.

Dust extraction machines are safety devices for the prevention or elimination of hazards according to the German BGV A1.

- For servicing performed by the user, the device must be disassembled, cleaned and maintained only to the degree that this is possible without presenting a danger to the maintenance personnel and other persons. Suitable precautionary measures include detoxification before disassembly. Make provisions for local forced ventilation at the location where the device is to be disassembled, for cleaning the maintenance surface and

to ensure adequate protection for the personnel.

- The exterior of the device should be detoxified by vacuuming and wiped clean, or treated with sealant before being removed from the hazardous area. All device parts must be regarded as contaminated when they are taken from the hazardous area. Suitable measures must be taken to prevent distribution of the dust.
 - All contaminated objects resulting from maintenance and repair work that cannot be satisfactorily cleaned must be correctly disposed of. Such objects must be disposed of in sealed bags in accordance with the applicable regulations for the disposal of this type of waste.
 - The suction hose ports are to be closed using the sealing plugs during transport and maintenance of the device.
1. Note that you can carry out simple maintenance and care work yourself.
 2. Clean the surface of the device and the interior of the container regularly with a moist cloth.

Inspection and maintenance work

Have the device regularly inspected according to the respective national accident prevention regulations. Maintenance work as specified by the manufacturer must be performed by a technically qualified person at the specified regular intervals and in accordance with the applicable regulations and safety requirements. Work on electrical components may only be performed by a qualified electrician. Please contact a KÄRCHER branch office if you have any questions.

Replacing the filter

⚠ CAUTION

Emission of dust when changing the filter

Damage to the skin, lungs and eyes through emitted dust

Wear the prescribed protective clothing when changing the filter.

Change the filter in a suitable maintenance area.

Dispose of the filter in accordance with the statutory regulations.

1. Secure the device with the parking brakes.
2. Switch off the device using the trigger.
3. Pull out the mains plug.
4. Unlock and remove the suction head.
5. Remove the contaminated filter.
6. Immediately after removing the contaminated filter from the device, place it in a bag and seal the bag tightly.
7. Dispose of the contaminated filter according to legal requirements.
8. Check the sealing ring for damage.
9. Remove any dirt deposits from the clean air side.
10. Fit the new filter in reverse order. Make sure that the filter hold-down device is centred in the filter pockets.
11. Fit and lock the suction head.

Replace dust bag

1. Secure the device with the parking brakes.

Illustration B

2. Pull the bow handle up.

The dirt receptacle is unlocked and lowered.

Illustration C

3. Pull the dirt receptacle out of the device by the bow handle.

Illustration F

4. Turn up the dust bag.
5. Seal the dust bag tightly with the cable tie.
6. Remove the dust bag.
7. Dispose of the dust bag in accordance with statutory regulations.

Illustration D

8. Insert the new dust bag in the dirt receptacle and carefully place it against the container wall and the container floor.
9. Fold the edge of the dust bag over the edge of the dirt receptacle to the outside.

⚠ WARNING

Improper handling when locking the dirt receptacle

Risk of crushing

Under no circumstances should you hold your hands between the dirt receptacle and filter ring or allow them to come close to the lifting mechanism while locking it.

Lock the dirt receptacle by operating the bow handle with both hands.

Illustration E

ATTENTION

Static charge of the dirt receptacle

Ignition of dusts

Make sure that the grounding on the chassis is in contact with the dirt receptacle.

10. Fit the dirt receptacle and lock it with the bow handle.

Troubleshooting guide

⚠ DANGER

Unintentional start-up of the device / electric shock

Unintentional start-up of the suction motor can cause injuries. Voltage present on electrical parts can cause an electric shock. Switch off the device and unplug the mains plug before performing any work on the device.

Have all checks and work on electrical parts performed by a qualified technician.

Note

The device must be switched off immediately in the event of a malfunction. The malfunction must be eliminated before switching the device on again.

If the malfunction cannot be corrected, the device must be checked by the Customer Service department.

Suction turbine does not start up

1. Check the socket and the power supply fuse.
2. Check the mains cable and the mains plug of the device.
3. Switch the device on.

Suction power decreases

1. Remove the blockages from the suction nozzle, the suction pipe or the suction hose.

2. Check that the suction head and the dirt receptacle are correctly seated.
3. Dedust the filter (see chapter *Dedusting the filter*).
4. Check the seating of the filter and correct if necessary.
5. Replace the filter (see chapter *Replacing the filter*).

Escaping dust when vacuuming

1. Check the seating of the filter and correct if necessary.
2. Dedust the filter (see chapter *Dedusting the filter*).
3. Replace the filter (see chapter *Replacing the filter*).

Disposal

At the end of its service life, the device is to be disposed of in accordance with statutory regulations.

Warranty

The warranty conditions issued by our sales company responsible apply in all countries. We shall remedy possible malfunctions on your device within the warranty period free of cost, provided that a material or manufacturing defect is the cause. In a warranty case, please contact your dealer (with the purchase receipt) or the next authorised customer service site. (See overleaf for the address)

Technical data

		IVM 40/ 12-1 M Z22
Electrical connection		
Mains voltage	V	220-240
Phase	~	1
Power frequency	Hz	50-60
Nominal power	W	1200
Maximum power	W	1350
Protection type		IP64
Protection class		I
Dimensions and weights		
Typical operating weight	kg	61.2
Length x width x height	mm	645 x 655 x 1140
Effective filter area	m ²	1.5
Ambient conditions		
Ambient temperature	°C	-10<Ta <40
Storage temperature	°C	-10-40
Device performance data		
Container capacity	l	40
Vacuum (max.)	kPa	24.7
Max. volume flow with suction hose DN50, L=3.0 m / L=5.0 m	m ³ /h	205 / 190
Max. volume flow with suction hose DN40, L=3.0 m / L=5.0 m	m ³ /h	175 / 165
Suction hose connection		NW DN70
Nominal width of the suc- tion hose		DN40/ 50
Main filter order number		9.990- 222.0
Determined values in acc. with EN 60335-2-69		
Hand-arm vibration value	m/s ²	<2.5
Uncertainty K	m/s ²	1
Sound pressure level L _{pA}	dB(A)	73
Uncertainty K _{pA}	dB(A)	2

IVM 40/
12-1 M
Z22

Mains cable

Type	H07RN- F 3G1.5 mm ²
Part number	6.650- 035.0
Cable length	m 10

Subject to technical modifications.

Declaration of Conformity

EU Declaration of Conformity

We hereby declare that the machine described below complies with the relevant basic safety and health requirements in the EU Directives, both in its basic design and construction as well as in the version placed in circulation by us. This declaration is invalidated by any changes made to the machine that are not approved by us.

Product: Dry vacuum cleaner

Type: 9.990-xxx

Currently applicable EU Directives

2006/42/EC (+2009/127/EC)

2014/30/EU

2011/65/EU

2014/34/EU

Harmonised standards used

EN 60335-1

EN 60335-2-69

EN 55014-1: 2017 + A11: 2020

EN 55014-2: 2015

EN IEC 61000-3-2: 2019

EN 61000-3-3: 2013 + A1: 2019

EN 61000-3-11: 2000

EN 62233: 2008

EN IEC 63000: 2018

EN 60079-0: 2018

EN 60079-31: 2014

Non-harmonised standards used

DIN EN 62784

National standards used

-

Designation



II 3D Ex tc IIIC T125°C Dc

The signatories act on behalf of and with the authority of the company management.

Managing partner

M. Pfister

Kärcher Industrial Vacuuming GmbH

Robert-Bosch-Straße 4-8

73550 Waldstetten (Germany)

Ph.: +49 7171 94888-0

Fax: +49 7171 94888-528

Waldstetten, 23/03/01

Declaration of Conformity (UK)

We hereby declare that the product described below complies with the relevant provisions of the following UK Regulations, both in its basic design and construction as well as in the version put into circulation by us. This declaration shall cease to be valid if the product is modified without our prior approval.

Product: Dry vacuum cleaner

Type: 9.990-xxx

Currently applicable UK Regulations

S.I. 2008/1597 (as amended)

S.I. 2016/1091 (as amended)

S.I. 2012/3032 (as amended)

S.I. 2016/1107 (as amended)

Designated standards used

EN 60335-1

EN 60335-2-69

EN 55014-1: 2017 + A11: 2020

EN 55014-2: 2015

EN IEC 61000-3-2: 2019

EN 61000-3-3: 2013 + A1: 2019

EN 61000-3-11: 2000

EN 62233: 2008

EN IEC 63000: 2018

EN 60079-0: 2018

EN 60079-31: 2014

Non-harmonised standards used

DIN EN 62784

National standards used

-

Designation



II 3D Ex tc IIIC T125°C Dc

The signatories act on behalf of and with the authority of the company management.

Managing partner

M. Pfister

Kärcher Industrial Vacuuming GmbH

Robert-Bosch-Straße 4-8

73550 Waldstetten (Germany)

Ph.: +49 7171 94888-0

Fax: +49 7171 94888-528

Waldstetten, 23/03/01

IVM 40/12-1 M Z22	
الأبعاد والأوزان	
وزن التشغيل النمطي	61,2 kg
الطول x العرض x الارتفاع	645 x 655 x 1140 mm
منطقة المرشح الفعالة	1,5 m ²
الظروف المحيطة	
درجة حرارة المحيط	°C <math>-10 < Ta < 40</math>
درجة حرارة التخزين	°C $-10-40$
بيانات قدرة الجهاز	
حجم الحاويات	40 l
الشفط (الحد الأقصى)	24,7 kPa
الحد الأقصى لسعة التدفق مع خرطوم الشفط DN50، لتر = 3.0 م / لتر = 5.0 م	205 / 190 m ³ /h
الحد الأقصى لسعة التدفق مع خرطوم الشفط DN40، لتر = 3.0 م / لتر = 5.0 م	175 / 165 m ³ /h
وصلة خرطوم الشفط	NW DN70
مقاس اسمي لخرطوم الشفط	DN40/50
رقم طلب المرشح الرئيسي	9.990-222.0
القيم المسجلة وفقاً للمواصفة EN 60335-2-69	
القيمة الاهتزازية لليد والذراع م/ث ²	<math>< 2,5</math>
قيمة الخطر K	م/ث ² 1
مستوى انبعاث الصوت L _{pA}	ديسبيل 73 (A)
الشك K _{pA}	ديسبيل 2 (A)
كابل الشبكة	
نوع	H07RN-F 3G1,5 مم ²
رقم القطعة	6.650-035.0
طول الكابل	10 m
المواصفات الفنية خاضعة للتعديل.	

توربين الشفط لا تعمل

1. فحص القابس وتجهيزه التأمين الخاصة بالتيار الكهربائي.
 2. فحص كابل الشبكة وقابس الجهاز.
 3. تشغيل الجهاز.
- ### انخفاض قوة الشفط تدريجياً
1. إزالة الانسدادات من فوهة الشفط، أنبوب الشفط أو خرطوم الشفط.
 2. افحص رأس الشفط وحاوية الأوساخ للتأكد من موضعها الصحيح.
 3. قم بتنظيف الفلتر (انظر الفصل *تنظيف الفلتر*).
 4. تحقق من موضع الفلتر وقم بتصحيحه إذا لزم الأمر.
 5. قم باستبدال الفلتر (انظر الفصل *استبدال الفلتر*).
- ### خروج الأغبرة عند الشفط

1. تحقق من موضع الفلتر وقم بتصحيحه إذا لزم الأمر.
2. قم بتنظيف الفلتر (انظر الفصل *تنظيف الفلتر*).
3. قم باستبدال الفلتر (انظر الفصل *استبدال الفلتر*).

التخلص من النفايات

يجب التخلص من الجهاز وفقاً للوائح القانونية في نهاية عمره الافتراضي.

الضمان

يسري في كل دولة شروط الضمان التي تضعها شركة التسويق المتخصصة التابعة لنا. نحن نتولى إصلاح الأخطاء التي قد تطرأ على جهازك خلال فترة الضمان بدون مقابل، عندما يكون سبب هذه الأعطال ناجم عن عيب في المواد المستخدمة أو في عملية التصنيع. في حالة استحقاق الضمان، توجه من فضلك بقسيمة الشراء إلى أقرب موزع أو مركز خدمة عملاء معتمد.

(العنوان على الصفحة الخلفية)

البيانات الفنية

IVM 40/12-1 M Z22	
وصلة كهربائية	
فولطية الشبكة	220-240 فولت
الطور	~ 1
تردد الشبكة	50-60 هرتز
القدرة الاسمية	1200 واط
القدرة القصوى	1350 واط
نوع الحماية	IP64
فئة الحماية	I

- عند إجراء أعمال الصيانة والإصلاح، يجب التخلص من جميع الأشياء الملوثة التي لا يمكن تنظيفها بشكل مرضي. يجب التخلص من هذه الأشياء في أكياس محكمة وفقاً للوائح المعمول بها للتخلص من هذه النفايات.
- أثناء نقل الجهاز وصيانته يجب إغلاق فتحة الشفط باستخدام سدادة.
- 1. قم بمراعاة أنك يمكنك إجراء الصيانة والعناية البسيطة بنفسك.
- 2. قم بتنظيف سطح الجهاز والجانب الداخلي للوعاء بانتظام بعقاشة مبللة.

أعمال الصيانة والفحص

افحص الجهاز بانتظام وفقاً للمعايير الوطنية السارية لوائح القوانين لتجنب الحوادث. يجب إجراء أعمال الصيانة من قبل شخص متخصص في فترات زمنية منتظمة ووفقاً لتعليمات المصنع، وفي هذا الصدد يجب مراعاة التعليمات القائمة ومتطلبات السلامة. لا يسمح بإجراء الأعمال على النظام الكهربائي إلا من قبل كهربائي متخصص. في حالة وجود أسئلة من فضلك توجه إلى فرع شركة KÄRCHER.

استبدال الفلتر

⚠ تنويه

تفريغ الغبار عند تبديل الفلتر

تضرر الجلد والرئتين والعينين بسبب الغبار المتكّون عند تبديل الفلتر، ارتد ملابس الحماية الموصوفة. قم بتبديل الفلتر في منطقة مناسبة لأعمال الصيانة. تخلص من الفلتر بحسب اللوائح القانونية.

1. قم بتأمين الجهاز باستخدام مكابح الانتظار.
2. قم بإيقاف الجهاز من مفتاح الجهاز.
3. نزع قابس الشبكة.
4. حرر رأس الشفط وقم بإزالتها.
5. قم بإزالة الفلتر المتسخ.
6. بعد إزالة الفلتر المتسخ من الجهاز مباشرة، ضعه في كيس وأغلق الكيس بإحكام.
7. تخلص من الفلتر المتسخ بحسب المتطلبات القانونية.
8. افحص حلقة الإحكام للتحقق من عدم وجود تلفيات.
9. قم بإزالة الأوساخ على جانب الهواء التنظيف.
10. تركيب الفلتر بالترتيب العكسي. تأكد من محاذاة فلتر الضغط المنخفض باستمرار في منتصف جيوب الفلتر.
11. قم بتركيب رأس الشفط وتأمينها.

استبدال كيس التخلص من الغبار

1. قم بتأمين الجهاز باستخدام مكابح الانتظار.

صورة إيضاحية B

2. اسحب مقبض الدعامة لأعلى. يتم تحرير حاوية الأوساخ وخفضها.
- صورة إيضاحية C**
3. اسحب حاوية الأوساخ من الجهاز باستخدام مقبض الدعامة.
- صورة إيضاحية F**
4. ألقب كيس التخلص من الغبار لأعلى.
 5. أغلق كيس التخلص من الغبار المزود برباط بشكل محكم.
 6. ادخل كيس التخلص من الغبار.
 7. تخلص من كيس التخلص من الغبار طبقاً للوائح القانونية.

صورة إيضاحية D

8. أدخل كيس التخلص من النفايات الجديد في حاوية الأوساخ، وثبته بعناية على جدار الحاوية وفي أرضية الحاوية.
9. أدر حافة كيس التخلص من النفايات عبر حافة حاوية الأوساخ إلى الخارج.

⚠ تحذير

التعامل الخاطئ عند قفل حاوية الأوساخ

خطر الانزلاق

لا تمد يديك بين حاوية الأوساخ وحلقة الفلتر أو تقربها من آلية الرفع أثناء القفل. قم بقفل حاوية الأوساخ بكتنا يديك عن طريق الضغط على مقبض الدعامة.

صورة إيضاحية E

تنبيه

الشحنة الساكنة لحاوية الأوساخ

اشتعال الغبار

تأكد من وصلة التأريض في الهيكل ملامسة لحاوية الأوساخ.

10. قم بتركيب حاوية الأوساخ وأغلقها بمقبض الدعامة.

المساعدة في حالة حدوث أعطال

⚠ خطر

بدء التشغيل بغير قصد للجهاز / الصدمة الكهربائية

قد يتسبب بدء تشغيل المحرك الذي يعمل بالسحب الطبيعي بغير قصد في وقوع إصابة. قد يؤدي الجهد في الأجزاء الكهربائية في حدوث صدمة كهربائية. قبل إجراء أي أعمال على الجهاز، أطفئ الجهاز وأخضع القابس. اعهد إلى عامل متخصص لإجراء جميع الفحوصات والأعمال المتعلقة بالأجزاء الكهربائية.

إرشاد

في حالة حدوث عطل، يجب إيقاف الجهاز على الفور. يجب إزالة الخطأ قبل إعادة التشغيل.

إن لم تتم إزالة العيب، يجب فحص الجهاز من قبل خدمة العملاء.

التخزين

⚠ تنويه

عدم مراعاة الوزن

خطر الإصابة وخطر التعرض لأضرار
احرص عند التخزين على مراعاة وزن الجهاز
1. تخزين الجهاز في غرف داخلية فقط.

العناية والصيانة

⚠ خطر

بدء تشغيل الجهاز عن غير قصد، ولمس الأجزاء
الموصلة للتيار الكهربائي
خطر الإصابة، صعقة كهربائية
أطفئ الجهاز قبل إجراء أعمال عليه.
اسحب قابس الشبكة.

⚠ خطر

خطر نتيجة غبار ضار بالصحة

أمراض مجرى التنفس بسبب استنشاق الغبار.
أثناء أعمال الصيانة (على سبيل المثال . استبدال
الفلتر) ارتد قناع للتنفس P2 أو ملابس عالية الجودة
أو التي تُستخدم لمرة واحدة.

⚠ تحذير

خطر نتيجة غبار ضار بالصحة

أمراض مجرى التنفس بسبب استنشاق الغبار.
تجهيزات السلامة للوقاية من المخاطر يجب فحص
سلامتها الوظيفية التفتية مرة واحدة سنويا على الأقل
من قبل الشركة المنتجة أو شخص متخصص، على
سبيل المثال. وظيفة إحكام الجهاز، تلف الفلتر،
وظيفة تجهيزات التحكم.

تنبيه

منتجات العناية المحتوية على السيليكون

قد تتعرض الأجزاء البلاستيكية للضرر.
لا تستخدم منتجات العناية التي تحتوي على
السيليكون للتنظيف.

آلات إزالة الغبار هي أجهزة آمان للوقاية من الأخطار
أو التخلص منها في إطار القانون BGV A1.

- للصيانة من قبل المستخدم، يجب تفكيك الجهاز
وتظيفه وصيافته قدر الامكان دون التسبب في
خطر على عمال الخدمة أو الأشخاص الآخرين.
تشمل تدابير الاحتياطات المناسبة إزالة السموم
قبل التفكيك، واتخاذ تدابير للتهوية المحلية
القسرية المفلترة في مكان تفكيك الجهاز
وتظيف منطقة الصيانة وتقديم حماية مناسبة
للعاملين.

- يجب عن طريق شفط الغبار إزالة السموم عن
الجهاز من الخارج ومسحه جيدا أو معالجته بمادة
مانعة للتسرب قبل إزالته من المنطقة الخطرة.
يجب اعتبار أجزاء الأجهزة ملوثة عند إخراجها من
المنطقة الخطرة. يجب ان يتم اتخاذ تدابير مناسبة
لتجنب توزيع الغبار.

إغلاق وصلة الشفط

⚠ تحذير

خطر الإصابة

تضرر الجلد والرتبتين والعينين بسبب الجسيمات
الدقيقة
بعد إزالة خرطوم الشفط، يجب إغلاق وصلة الشفط
المزودة بسدادة.
1. أزل خرطوم الشفط.

صورة إيضاحية H

2. قم بتركيب السدادات بدقة في وصلة الشفط.
3. ادفع السدادة حتى النهاية.
4. أدر السدادة إلى اليمين حتى يتم إغلاق وصلة
الشفط بإحكام.

تنظيف الجهاز

⚠ تحذير

التخلص غير السليم من مياه الصرف الصحي

تلوث البيئة
عليك مراعاة اللوائح المحلية لمعالجة مياه الصرف
الصحي.

1. تنظيف الجهاز بمندبل رطب من الداخل ومن
الخارج عن طريق الشفط والمسح.
عند شفط الجهاز، يجب استخدام أداة شفط لها
نفس التصنيف أو تصنيف أفضل.
2. اشطف الملحقات (غير مشمولة في محتوى
المرسل) بالماء وجففها إذا لزم الأمر.

حفظ الجهاز

1. لف كابل الشبكة حول حامل الكابلات.
2. قم بتخزين الجهاز في غرفة جافة وتأمينه ضد
الاستخدام غير المصرح به.

النقل

⚠ تنويه

عدم مراعاة الوزن

خطر الإصابة وخطر التعرض لأضرار
احرص عند النقل على مراعاة وزن الجهاز.
1. للنقل الخالي من الغبار، أغلق وصلة الشفط
(انظر الفصل إغلاق وصلة الشفط).
2. حل الفرامل ثم ادفع الجهاز على السنادة
الدفعية.
3. لتحميل الجهاز، أمسكه من الهيكل والسنادة
الدفعية.
4. يجب تأمين الجهاز ضد الانزلاق والانقلاب عند نقله
في المركبات.

تنظيف الفلتر

إذا تم الوصول إلى الحد الأقصى للضغط السلبي (انظر الفصل *اقرأ الحد الأدنى لمعدل التدفق*) في مقياس الضغط، فيجب تنظيف الفلتر.

صورة إيضاحية G

1. أثناء عملية الشفط، أغلق فتحة الإدخال أو خرطوم الشفط.
2. اسحب صمام تنظيف الفلتر 3-4 مرات، مع إبقائه مفتوحاً لمدة 2-1 ثانية في كل مرة.

إيقاف الجهاز

1. قم بإيقاف توريبة الشفط بالجهاز من مفتاح الجهاز.
2. نزع قابس الشبكة.

بعد كل تشغيل

تفريغ حاوية الأوساخ

يجب تفريغ حاوية الأوساخ إذا لزم الأمر وبعد كل استخدام.

فتحة الإدخال أو خرطوم الشفط مغلقين.

1. قم بتشغيل توريبة الشفط بالجهاز من مفتاح الجهاز.
2. قم بتنظيف الفلتر (انظر الفصل *تنظيف الفلتر*).
3. قم بإيقاف توريبة الشفط بالجهاز من مفتاح الجهاز.
4. قم بتأمين الجهاز باستخدام مكابح الانتظار.

صورة إيضاحية B

5. اسحب مقبض الدعامة لأعلى.

يتم تحرير حاوية الأوساخ وخفضها.

صورة إيضاحية C

6. اسحب حاوية الأوساخ من الجهاز باستخدام مقبض الدعامة.

7. تفريغ حاوية الأوساخ للقيام بذلك، قم بإزالة كيس التخلص من الغبار إذا لزم الأمر (انظر *إزالة كيس التخلص من الغبار*).

تحذير

التعامل الخاطئ عند قفل حاوية الأوساخ

خطر الانزلاق

لا تمد يديك بين حاوية الأوساخ وحلقة الفلتر أو تقريرها من آلية الرفع أثناء القفل.

قم بقفل حاوية الأوساخ بكتلتا يديك عن طريق الضغط على مقبض الدعامة.

صورة إيضاحية E

تنبيه

الشحنة الساكنة لحاوية الأوساخ

اشتعال الغبار

تأكد من وصلة التأريض في الهيكل ملامسة لحاوية الأوساخ.

8. قم بتركيب حاوية الأوساخ وأغلقها بمقبض الدعامة.

لا تمد يديك بين حاوية الأوساخ وحلقة الفلتر أو تقريرها من آلية الرفع أثناء القفل.

قم بقفل حاوية الأوساخ بكتلتا يديك عن طريق الضغط على مقبض الدعامة.

صورة إيضاحية E

تنبيه

الشحنة الساكنة لحاوية الأوساخ

اشتعال الغبار

تأكد من وصلة التأريض في الهيكل ملامسة لحاوية الأوساخ.

8. قم بتركيب حاوية الأوساخ وأغلقها بمقبض الدعامة.

تشغيل الجهاز

1. إدخال قابس الشبكة في المقبوس.
2. قم بتشغيل توريبة الشفط بالجهاز من مفتاح الجهاز.
3. ابدأ عملية الشفط.

تنفيذ عملية الشفط.

1. افحص مستوى الملاء بشكل منتظم في حاوية الأوساخ، حيث إن الجهاز لا يغلِق أوتوماتيكيًا عند الشفط.
2. عند اللزوم، قم بإفراغ حاوية الأوساخ، (انظر الفصل *تفريغ حاوية الأوساخ*).
3. إذا لزم الأمر، قم بتنظيف الفلتر (انظر الفصل *تنظيف الفلتر*) أو قم بتغييره/استبداله (انظر الفصل *استبدال الفلتر*).

اقرأ الحد الأدنى لمعدل التدفق

يوجد في الجهاز بالجهة الأمامية مقياس الضغط المدمج الذي يعرض انخفاض الشفط داخل الجهاز. إذا تم الوصول إلى الحد الأقصى للضغط السلبي (انظر الجدول)، فيجب تنظيف الفلتر (انظر الفصل *تنظيف الفلتر*). هذه القيمة تعتمد على قوة الجهاز وخرطوم الشفط المستخدم. إذا لم يتم خفض الضغط السلبي بشكل كبير أثناء التنظيف، فيجب استبدال الفلتر (انظر الفصل *استبدال الفلتر*).

تنبيه

تجاوز الحد الأقصى للضغط السلبي

فقدان قدرة الشفط

إذا تم تجاوز القيمة المحددة، تنخفض سرعة الهواء إلى أقل من 20 م/ث. نظف الفلتر أو قم باستبداله.

مقاس اسمي لخرطوم الشفط	الحد الأقصى للضغط السلبي
DN40	12.0 كيلوباسكال (120 ملي بار)
DN50	7.0 كيلوباسكال (70 ملي بار)

استخدام كيس التلخص من الغبار

1. قم بتأمين الجهاز باستخدام مكابح الانتظار.
صورة إيضاحية B
2. اسحب مقبض الدعامة لأعلى.
يتم تحرير حاوية الأوساخ وخفضها.

صورة إيضاحية C

3. اسحب حاوية الأوساخ من الجهاز باستخدام مقبض الدعامة.

صورة إيضاحية D

4. أدخل كيس التلخص من الغبار في حاوية الأوساخ، وثبته بعناية على جدار الحاوية وفي أرضية الحاوية.
5. أدر حافة كيس التلخص من النفايات عبر حافة حاوية الأوساخ إلى الخارج.

⚠ تحذير

التعامل الخاطئ عند قفل حاوية الأوساخ

خطر الانزلاق

لا تمد يدك بين حاوية الأوساخ وحلقة الفلتر أو تقريرها من آلية الرفع أثناء القفل.
قم بقفل حاوية الأوساخ بكتنا يدك عن طريق الضغط على مقبض الدعامة.

صورة إيضاحية E

تنبيه

الشفط الساكنة لحاوية الأوساخ

اشتعال الغبار

تأكد من وصلة التأسيس في الهيكل ملائمة لحاوية الأوساخ.

6. قم بتركيب حاوية الأوساخ وأغلقها بمقبض الدعامة.

إزالة كيس التلخص من الغبار

1. قم بتأمين الجهاز باستخدام مكابح الانتظار.
صورة إيضاحية B
2. اسحب مقبض الدعامة لأعلى.
يتم تحرير حاوية الأوساخ وخفضها.

صورة إيضاحية C

3. اسحب حاوية الأوساخ من الجهاز باستخدام مقبض الدعامة.

صورة إيضاحية F

4. اقلب كيس التلخص من الغبار لأعلى.
5. أغلق كيس التلخص من الغبار المزود برباط بشكل محكم.
6. اخلع كيس التلخص من الغبار.
7. تخلص من كيس التلخص من الغبار طبقاً للوائح القانونية.

⚠ تحذير

التعامل الخاطئ عند قفل حاوية الأوساخ

خطر الانزلاق

افحص مستوى ملء حاوية الأوساخ

إذا تم ملء حاوية الأوساخ إلى الحافة السفلية لمنفذ الشفط على حاوية الأوساخ، فيجب تفريغها. لا ينطفئ الجهاز تلقائيًا عند تجاوز الحد الأقصى لمستوى الملء.
1. تحقق من مستوى ملء حاوية الأوساخ بانتظام.

النظام المانع للكهرباء الساكنة

يتم تبديد الشحنات الاستاتيكية من خلال الوصلات المؤرضة. وبهذا يتم منع تكوين شرر أو حدوث صدمات كهربائية مع الملحقات الخاصة بالجهة المصنعة الموصلة للكهرباء.

التشغيل

الجهاز مناسب لشفط الغبار الدقيق حتى فئة الغبار M.

⚠ تحذير

خطر نتيجة غبار ضار بالصحة

أمراض مجرى التنفس بسبب استنشاق الغبار.
لا تقم بالشفط دون وجود عنصر الفلتر، وإلا سيحدث خطر صحي بسبب زيادة انبعاثات الجسيمات الدقيقة.

تنبيه

خطر بسبب دخول الجسيمات الدقيقة

خطر تلف محرك الشفط.

لا تقم مطلقًا بإزالة عنصر الفلتر عند الشفط.

الشفط الجاف

إرشاد

يصلح هذا الجهاز كمنسدة كهربائية صناعية لشفط الأغبرة الجافة القابلة للاشتعال.

التبديل من الشفط الرطب إلى الشفط الجاف

تنبيه

التحويل من الشفط الرطب إلى الشفط الجاف

خطر حدوث أضرار بالفلتر عندما يكون عنصر الفلتر رطبًا، لا تقم بشفط الغبار الجاف، فقد يؤدي ذلك إلى انسداد الفلتر وأن يصبح غير قابل للاستخدام.

1. جفف الفلتر الرطب قبل الاستخدام في المكينة الجافة، أو استبدله بأخر جاف.
2. عند الحاجة قم بتبديل الفلتر.

مواصفات الجهاز

الشكال، انظر صفحة الصور

صورة إيضاحية A

- ① عجلات التوجيه المزودة بفرملة تثبيت
- ② حاوية الأوساخ
- ③ سدادات
- ④ وسيلة تأمين الحلقة الوسيطة
- ⑤ نظام تنظيف فلتري
- ⑥ مقياس الضغط
- ⑦ زر الجهاز لتوربين الشفط
- ⑧ رأس الشفط
- ⑨ فلتري
- ⑩ حلقة الإحكام
- ⑪ فلتري الضغط المنخفض
- ⑫ كابل الشبكة
- ⑬ لوحة الطراز
- ⑭ مقبض الحمل
- ⑮ مقبض الحمل
- ⑯ مقبض الدعامة الخاص بحاوية الأوساخ
- ⑰ مقبض الدفع
- ⑱ حلقة الفلتري
- ⑲ دعامة الشفط
- ⑳ هيكل القاعدة

المصنق يوضح قيم الحد الأقصى للضغط السليبي الخاص بالمقطع العرضي لخرطوم الشفط المستخدم. يمكن قراءة القيمة الحالية على مقياس الضغط. للاطلاع على القيم التي تنطبق على هذا الجهاز، انظر الفصل *اقرأ الحد الأدنى لمعدل التدفق*. إذا لم يتم الوصول إلى القيمة، فيجب تنظيف الفلتري (انظر الفصل *تنظيف الفلتري*) أو استبداله (انظر الفصل *استبدال الفلتري*). تعد المقاطع العرضية المختلفة لخرطوم الشفط ضرورية للسماح بمواءمة المقاطع العرضية المختلفة لوصلات الملحقات.

لا تقم بشفط المواد القابلة للاشتعال! مناسب لشفط الغبار القابل للاشتعال ذات فئات انفجار الغبار الخاصة بالمنطقة 22.



فلتري

(رقم الطلب: 9.990222.0)



كيس غبار

(رقم الطلب: 9.989606.0)



بدء التشغيل

⚠ تحذير

وصلة موازنة الجهد موصلة بشكل خاطئ

صعق كهربائي

قبل كل تشغيل، تحقق مما إذا كانت وصلات موازنة الجهد (وصلات التأريض) متصلة.

⚠ تحذير

خطر نتيجة غبار ضار بالصحة

أمراض مجرى التنفس بسبب استنشاق الغبار.

لا تقم بالشفط دون وجود عنصر الفلتري، وإلا سيحدث خطر صحي بسبب زيادة انبعاثات الجسيمات الدقيقة.

تنبيه

المرشح مفقود

تضرر محرك الشفط

لا تقم بالشفط بدون عنصر المرشح.

1. اضبط الجهاز على وضع العمل.
2. قم بتأمين الجهاز باستخدام مكابح الانتظار.
3. تأكد أن رأس الشفط تم تركيبها بشكل صحيح.
4. أدخل خرطوم الشفط (غير مشمول في محتويات المرسل) في وصلة الشفط.
5. تحقق من مستوى الملاء في حاوية الأوساخ (انظر الفصل *افحص مستوى ملاء حاوية الأوساخ*).
6. إذا لزم الأمر، قم بإفراغ حاوية الأوساخ، (انظر الفصل *تفريغ حاوية الأوساخ*).
7. أدخل كيس النخلص من النفايات قبل الشفط الجاف (انظر الفصل *الشفط الجاف*).
8. أدخل الملحق المرغوب في خرطوم الشفط (غير مشمول في محتويات المرسل).

الرموز على الجهاز



الجهاز مناسب لشفط الغبار حتى فئة الغبار M.

⚠ تحذير

تضرر الجلد والرئتين والعينين

انبعاث الجسيمات أثناء أعمال التفريغ والصيانة والتخلص

يجب ارتداء تجهيزات الحماية المنصوص عليها أثناء أعمال التفريغ والصيانة، وكذلك أثناء التخلص من حاويات جمع الغبار.



DN 40	MAX	XX,X kPa/ XX,X mbar
DN 50	MAX	XX,X kPa/ XX,X mbar
DN 70	MAX	XX,X kPa/ XX,X mbar

حماية البيئة



المواد المستخدمة في التغليف قابلة لإعادة التدوير. يرجى التخلص من مواد التغليف بطريقة تحافظ على البيئة.



تحتوي الأجهزة الكهربائية والإلكترونية على مواد قيمة قابلة لإعادة التدوير وغالباً ما تحتوي أيضاً على مكونات مثل البطاريات أو المراكمات أو الزيوت والتي قد تشكل خطورة على صحة الإنسان والبيئة في حالة التعامل معها بشكل غير صحيح أو إذا تم التخلص منها بصورة خاطئة. إلا أن هذه المكونات ضرورية لتشغيل الجهاز بصورة سليمة. لا يجوز التخلص من الأجهزة المميزة بهذا الرمز مع النفايات المنزلية.

إرشادات حول مواد المحتويات (REACH)

تجد المعلومات الحالية حول المحتويات على الموقع: www.kaercher.de/REACH

الملحقات التكميلية وقطع الغيار



خطر الانفجار بسبب الملحقات غير المعتمدة

لا تستخدم سوى الملحقات المعتمدة من الجهة المصنعة والمميزة بملصق مقاومة الانفجار "Ex" والمخصصة لاستخدام النوع 22. استخدام الملحقات التكميلية الأصلية وقطع الغيار الأصلية فقط، والتي تضمن تشغيل الجهاز بشكل آمن وخال من الاختلالات.

تجد المعلومات الخاصة بالملحقات التكميلية وقطع الغيار على الموقع www.kaercher.com.

إرشاد

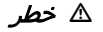
لا يتضمن نطاق المحتويات المسلمة مع المنتج أي ملحق تكميلي. يجب طلب الملحقات بشكل منفصل بحسب مجال الاستخدام.

محتوى التسليم

تأكد من وجود جميع محتويات العبوة عند فتحها. وفي حالة نقص أية اكتشاف أي تلف ناتج عن عملية النقل، يرجى إخطار البائع.

إرشاد • يجب مراعاة احتمالية تطبيق لوائح إضافية على الغبار الذي له طاقة إشعال أقل من 1 مللي جول.

التصرف في حالة الطوارئ



خطر الإصابة والتنضّر في حالة قصر الدائرة، أو عند حدوث أي عطل كهربائي آخر.

خطر حدوث صدمة كهربائية، خطر نشوب حرائق أطفئ الجهاز واسحب فاس كهرباء.

السلوك في حالة انكسار المرشح / وجود تسريب:

1. أطفئ الجهاز على الفور. لا يُسمح بمواصلة تشغيل الجهاز.
2. استبدال الفلتر.

الاستخدام المطابق للتعليمات

الجهاز مخصص من أجل:

- شفط الغبار المترسب الجاف وغير القابل للاحتراق والخطير على الصحة؛ بفتة الغبار M بحسب المواصفة EN 60335-2-69
- شفط الغبار من مجموعات الغبار IIIA و III B و III C
- شفط الغبار القابل للاشتعال في المنطقة 22
- لسحب المكونات الرطبة والسائلة
- الاستخدام الصناعي، مثلاً في قطاعات التخزين والإنتاج
- الاستخدام لعدة أيام
- لا يمكن ضمان الأداء السليم للجهاز إلا من خلال الأقطار الاسمية لخرطوم الشفط DN40 و DN50. وسيتم اعتبار أي استخدام آخر غير مناسب.
- الجهاز غير مناسب من أجل:
- شفط المواد القابلة للاشتعال والغبار بدرجة حرارة توهج ≥ 190 درجة مئوية.
- شفط المواد القابلة للانفجار أو المواد المكافئة بالمعنى المقصود في المادة رقم 1 من قانون التعامل مع المواد المتفجرة، ومخاليط البخار والهواء المتفجرة، وكذلك غبار الألمنيوم والمغنسيوم
- شفط السوائل القابلة للاشتعال (قابلة للاشتعال، شديدة الاشتعال، شديدة الاشتعال وفقاً لتوجيه قانون المواد الخطرة EWG/67/548) (نقطة الوميض أقل من 55 °م)، وكذلك مخاليط الغبار القابل للاحتراق مع السوائل القابلة للاشتعال
- شفط غبار المغنيسيوم أو المسحوق
- شفط مخاليط السوائل القابلة للاشتعال والغبار القابل للاشتعال
- شفط الجسيمات المتوهجة أو الساخنة، والذي قد يؤدي ذلك إلى نشوب حريق أو انفجار
- شفط المواد المسببة للسرطان
- التوصيل بماكينة مولدة للغبار

إرشادات السلامة العامة

⚠ **خطر** • يجب استخدام الجهاز والمواد التي سيستخدم من أجلها، بما في ذلك الطريقة الآمنة للتخلص من المواد المشفوفة من قبل أفراد مدرين فقط. • إذا تم إرجاع هواء المشفوف إلى الغرفة، فيجب أن يكون هناك معدل تغيير هواء كافي في الغرفة. من أجل الالتزام بحدود القيمة المطلوبة، يسمح بأن يكون حجم التيار المرتجع 50 ٪ من حجم الهواء النقي (حجم الغرفة $V_{PR} \times$ معدل تغيير الهواء لواط). بدون إجراء تهوية خاصة يسري على: لواط=1 ساعة¹. • يحتوي هذا الجهاز على أغبرة ضارة بالصحة. لا يجوز إجراء عمليات التفريغ والصيانة بما في ذلك إزالة خزان تجميع الغبار، إلا من قبل محترفين يرتدون معدات واقية مناسبة. • لا تقم بالشفط إلا مع كافة عناصر الفلتر، وإلا سيحدث ضرر في محرك الشفط وخطر صحي بسبب زيادة انبعاثات الجسيمات الدقيقة. • عليك مراعاة لوائح السلامة المعمول بها والتي تطبق على المواد المراد معالجتها. • قم بمراعاة أحكام السلامة للمواد التي سيتم شطفها. في حالة التشغيل السليم / التشغيل الخاطئ، قد تصبح أجزاء من الجهاز ساخنة حتى درجة 125 مئوية. • الملاحظات المعتمدة من الجهة المصنعة موصلة للكهرباء. لا تستخدم أي ملحقات أخرى. • لا يسمح باستخدام كابل تمديد.

⚠ **تحذير** • لا يُسمح باستخدام أو تخزين هذا الجهاز في الهواء الطلق وفي الأجواء الرطبة. • لتأمين وقوف الجهاز بشكل آمن، يجب الضغط على فرملة التثبيت بكرة التوجيه. إذا كانت فرملة التثبيت مفتوحة، يمكن أن يتحرك الجهاز بدون سيطرة. • الجهاز غير مخصص لشفط/امتصاص السوائل القابلة للاشتعال (قابلة للاشتعال، شديدة الاشتعال، شديدة الاشتعال وفقاً لتوجيه قانون المواد الخطرة EWG/67/548) (نقطة الوميض أقل من 55 °م)، وكذلك مخاليط الغبار القابل للاحتراق مع السوائل القابلة للاشتعال. • الجهاز غير مصمم لشفط الغبار مع الحد الأدنى من طاقة الإشعال المنخفضة للغاية ($ME < 1$ mJ)، مثل: حبر الطباعة، والكبريت الشبكي، ومسحوق الألومنيوم، وستيرات الرصاص. • الجهاز غير مناسب لشفط المواد القابلة للاشتعال والغبار بدرجة حرارة توهج ≥ 190 درجة مئوية. • قبل كل تشغيل، تحقق مما إذا كانت كابلات الربط متساوية الجهد (وصلات التأريض) متصلة.

⚠ **تنويه** • يجب عند التوقف عن العمل لفترة استراحة طويلة وبعد الاستخدام إيقاف الجهاز عن طريق مفتاح الجهاز وكذلك فصل القابس الكهربائي أيضاً. • لا يُسمح بتوصيل الجهاز إلا خارج المنطقة 22.

المحتويات

16	إرشادات عامة
16	إرشادات السلامة
17	الاستخدام المطابق للتعليمات
17	حماية البيئة
17	الملحقات التكميلية وقطع الغيار
17	محتوى التسليم
18	مواصفات الجهاز
18	الرموز على الجهاز
18	بدء التشغيل
19	التشغيل
21	النقل
21	التخزين
21	العناية والصيانة
22	المساعدة في حالة حدوث أعطال
23	التخلص من النفايات
23	الضمان
23	البيانات الفنية

إرشادات عامة

اقرأ دليل التشغيل الأصلي هذا قبل أول استخدام للجهاز، ثم تعامل وفقاً لتعليمات هذا الدليل، كما ينبغي الاحتفاظ به من أجل الاستخدام لاحقاً أو عند انتقال الملكية لمستخدم آخر.

- لا بد من قراءة إرشادات السلامة رقم 249.0-5.956 قبل استخدام الجهاز لأول مرة!
- قد يؤدي عدم مراعاة دليل التشغيل وإرشادات السلامة إلى تعرض الجهاز لأضرار ومخاطر يتعرض لها المشغل والأشخاص الآخرون.
- أبلغ البائع فور وقوع أضرار جراء النقل.

إرشادات السلامة

درجات الخطر

- ⚠ **خطر**
- إشارة إلى خطر مباشر وشيك الحدوث وقد يؤدي إلى إصابات جسدية بالغة أو إلى الوفاة.
- ⚠ **تحذير**
- إشارة إلى موقف قد تحفه المخاطر وقد يؤدي إلى إصابات جسدية بالغة أو إلى الوفاة.
- ⚠ **تنويه**
- إشارة إلى موقف قد تحفه المخاطر وقد يؤدي إلى إصابات بسيطة.
- تنبيه**
- إشارة إلى موقف قد تحفه المخاطر وقد يؤدي إلى حدوث أضرار مادية.



<http://www.kaercher.com/dealersearch>



2-2-HC-A5-GS-awx2508