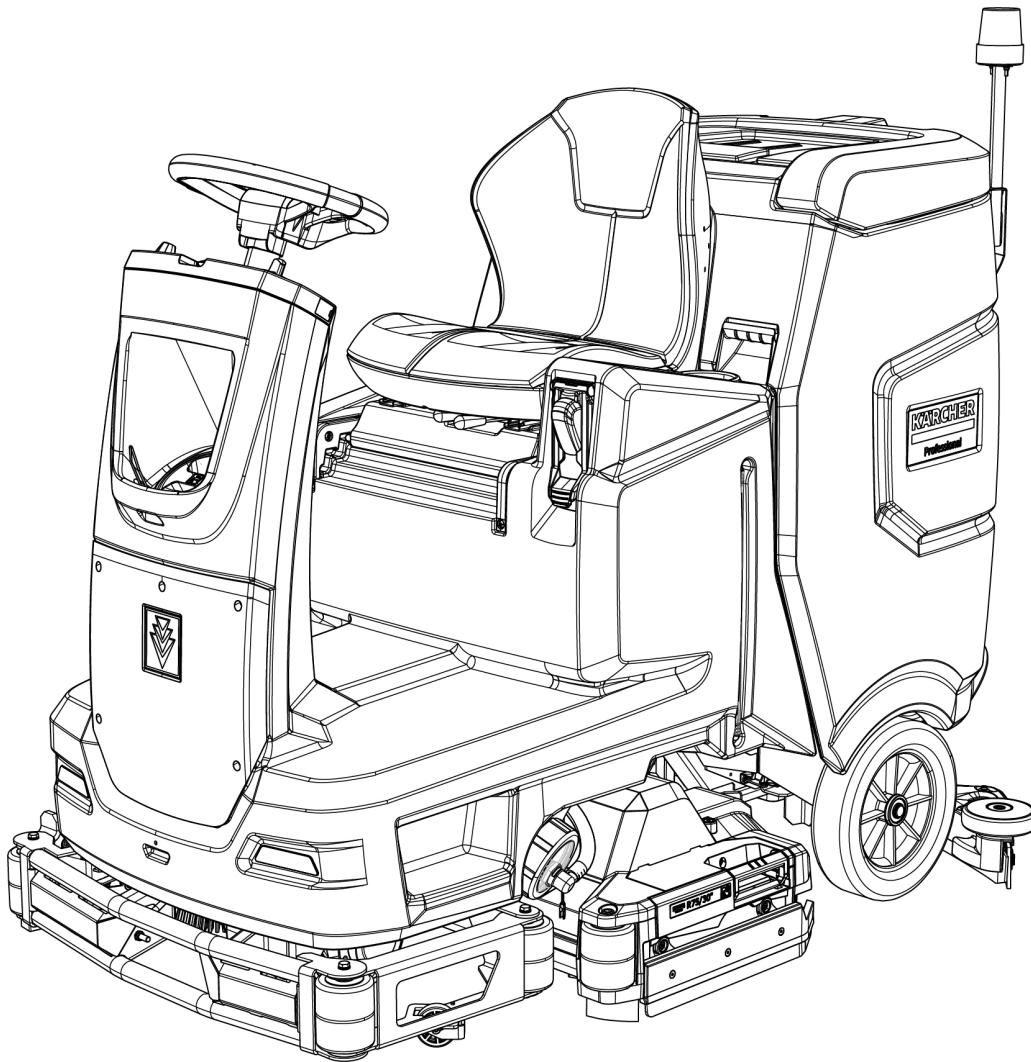


B 110 R

English	2
Français	28
Español	55



**Register
your product**

www.kaercher.com/welcome

Read Online



59691690 (07/24)

Contents

IMPORTANT SAFETY INSTRUCTIONS	2
OPERATOR QUALIFICATIONS	3
OPERATOR TRAINING	3
EXAMINATION, RE-TRAINING AND APPLICATION	4
OPERATIONAL SAFETY RULES AND PRACTICES	4
MAINTENANCE AND RESTORATION ACTIVITIES	5
FIRE SAFETY STANDARD	6
Customer Service	6
Safety instructions	7
Function	8
Intended use	8
Environmental protection	8
Scope of delivery	8
Description of the unit	9
Installation	11
Initial startup	13
Operation	14
Finishing operation	17
Gray intelligent key	18
Transport	19
Storage	19
Care and service	19
Troubleshooting guide	22
Technical data	25
Accessories and spare parts	26
Warranty	27

IMPORTANT SAFETY INSTRUCTIONS

Observe all basic precautions when using the device, including the following:

READ ALL INSTRUCTIONS BEFORE USING THIS MACHINE

⚠ WARNING

- Risk of electric shock, burns and injuries
- Do not leave the device unattended with the mains plug inserted.
- Unplug from outlet when not in use and before servicing.
- Use the device indoors only.
- The device is not a toy. Exercise special care when using the device in the presence of children.
- Use only as described in this manual.
Use only accessories recommended by the manufacturer.
- Do not use with damaged battery charger output cord or plug. If appliance is not working as it should, has been dropped, damaged, left outdoors, or dropped into water, have the device checked by our Customer Service department before using it.
- Do not pull or carry by the battery charger output cord, do not use battery charger output cord as a handle, do not close a door on the battery charger output cord, or pull battery charger output cord around sharp edges or corners. Do not run appliance over battery charger output cord. Keep battery charger output cord away from heated surfaces.
- Do not unplug by pulling battery charger output cord. To unplug, grasp plug.
- Do not handle battery charger or appliance with wet hands.
- Never insert objects into the device openings. Do not use the device if the device openings are blocked. Keep openings free of lint, hair, dust, and anything that obstructs airflow.

- Switch off the device before pulling out the mains plug.
- Keep hair, loose clothing, fingers, and all parts of the body away from openings and moving parts.
- Exercise caution when using the device on stairs.
- Do not use the device to pick up flammable or inflammable liquids, such as e.g. gasoline and do not use in areas where these fluids may be present.
- Only connect the device to a properly grounded socket (see chapter *Grounding regulations*).

ATTENTION

- This device complies with Part 15 of the FCC rules and the Industry Canada license, excluding the RSS standard.
Operation takes place under the following two conditions:
 - 1 This device may not cause harmful interference, and
 - 2 This device must receive any interference received, including interference that may cause undesired operation.

ATTENTION

- Changes or modifications to the device that have not been expressly approved by KÄRCHER will void the FCC approval for operating this device.

Note

- This equipment has been tested and found to comply with the limits for a class B digital device, pursuant to part 15 of the FCC rules.
- These limit values are designed to provide adequate protection against harmful interference in residential areas.
- This equipment generates, uses and can radiate radio frequency electricity. If it is not installed and used in accordance with the instructions, this can cause harmful interference to radio communications.
- However, there is no guarantee that interference will not occur in a particular application.
- If the device causes interference to radio or television reception, which can be determined by turning the device off and on, we recommend that you eliminate the interference by one or more of the following measures:
 - Change the orientation or location of the receiving antenna.
 - Increase the separation between the equipment and the receiver.
 - Connect the equipment into an outlet on a circuit different from that to which the receiver is connected.
 - Contact a specialist dealer or an experienced radio / television technician.

SAVE THESE INSTRUCTIONS

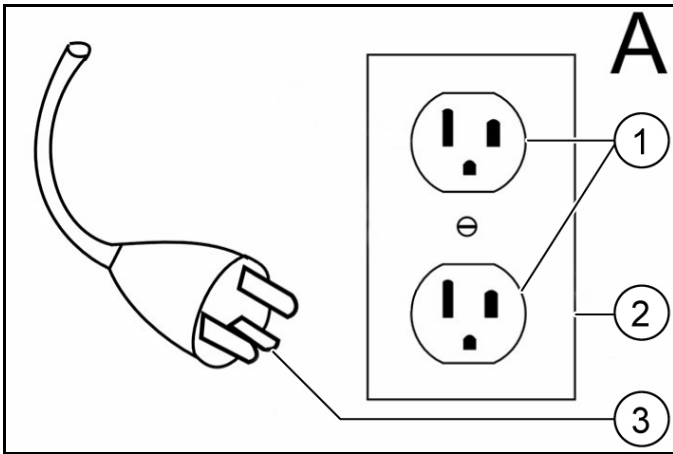
Grounding regulations

- This appliance must be grounded. If it should malfunction or break down, grounding provides a path of least resistance for electric current to reduce the risk of electric shock.
- This appliance is equipped with a cord having an equipment grounding conductor and ground plug.
- The plug must be inserted into an appropriate outlet that is properly installed and grounded in accordance with all local codes and ordinances.

⚠ WARNING

- Improper connection of the equipment grounding conductor can result in a risk of electric shock.
- Check with a qualified electrician or service person if you are in doubt as to whether the outlet is properly grounded.
- Do not modify the plug provided with the appliance.
- If it will not fit the outlet, have a proper outlet installed by a qualified electrician.
- This device is approved for use on a 120 V mains power circuit and has a plug as shown in Illustration A.
- Make sure the device is plugged into an outlet that has the same configuration as the plug.
- Do not use an adapter with this device.

ONLY CONNECT THE DEVICE TO A PROPERLY GROUNDED SOCKET



- ① Grounded socket
- ② Grounded socket housing
- ③ Ground pin

OPERATOR QUALIFICATIONS

Only trained and authorized persons are allowed to operate the powered floor cleaner. Operators of powered floor cleaners must be qualified with the visual, acoustic, physical and mental abilities needed to operate the equipment safely.

OPERATOR TRAINING

Personnel who have not been trained in the operation of powered floor cleaners may only use a floor cleaner for training purposes, under the direct supervision of the trainer. This training should be conducted in an area away from other trucks, obstacles and pedestrians.

The operator training program should include the user's guidelines for the location where the trainee will operate the floor cleaner, the operating conditions for that location, and the specific floor cleaner the trainee will operate. The training program must be presented to all new operators regardless of previous experience.

The training body must inform the trainee of the following:

- 1 The operator's primary responsibility is to use the powered floor cleaner safely as instructed in the training program.
- 2 Unsafe or improper operation of a powered floor cleaner can result in the following: Death or serious injury to the operator or other persons; damage to the powered floor cleaner or other objects.

The training program should highlight safe and proper operation to prevent injury to the operator and others, and to prevent property damage, and should cover the following areas:

- 1 The basics of the powered floor cleaners that the trainee will operate:
 - The properties of powered floor cleaners, including variations between powered floor cleaners in the workplace
 - The similarities and differences to automobiles
 - The meaning of the type plate data, warnings and instructions affixed to the powered floor cleaner
 - The instruction manual and warnings in the instruction manual of the powered floor cleaner and the instructions for inspection and maintenance by the operator
 - The type of driving force and its properties
 - The steering method
 - The braking method and characteristics
 - The view forwards and backwards
 - The stability characteristics with and without load, with and without attachments
 - The positions of the control elements, the function, the type of operation, the identification of symbols
 - Charging of the battery
 - The isolating and non-isolating protective devices for the specific powered floor cleaner
 - Other properties for the specific powered floor cleaner
- 2 The operating environment and its effects on the operation of the powered floor cleaner including the following:
 - The soil conditions, including transient conditions
 - Ramps and gradients
 - The battery charging stations
 - Narrow aisles, doors, overhead lines, above-ground pipelines and other areas with limited space
 - The areas in which the powered floor cleaner is operated in the vicinity of other industrial trucks, other vehicles or pedestrians
 - The use and capacity of elevators
 - Operation near loading ramps or the edges of upgraded surfaces
 - Other special operating conditions and hazards that may arise
- 3 The operation of the powered floor cleaner including the following points:
 - Proper checks prior to each initial startup and authorized shutting down of a powered floor cleaner in need of repair
 - Driving, cornering
 - The parking and shutdown procedure
 - Other special operating conditions for the specific application
- 4 The rules and practices of operational safety including the following points:
 - The provisions of this standard in chapter *OPERATIONAL SAFETY RULES AND PRACTICES*
 - Other employer rules, regulations, or practices in the location where the powered floor cleaner is used
- 5 Company training practice, including the following:
 - If possible, practical training using the powered floor cleaner should take place in an area that is separate from other activities or personnel in the workplace.
 - The practical training is to be carried out under the supervision of the trainer.
 - The practical training should include the actual operation or the simulated execution of all tasks in the company, such as maneuvering, driving, stopping, starting and other activities under the conditions encountered when operating the powered floor cleaner.

EXAMINATION, RE-TRAINING AND APPLICATION

- 1 During the training, the employer must provide both performance tests and oral and / or written tests to measure the operator's skills and knowledge in meeting the requirements of the standard. Employers can delegate such tests to others, but remain responsible for the tests. Corresponding records are to be kept.
- 2 Operators are to be retrained when new equipment is introduced, existing equipment is upgraded, operating conditions change, or an operator's performance is unsatisfactory.
- 3 The user is responsible for ensuring the safe use of the powered floor cleaner in accordance with the provisions of this standard.

Note

Operator training information is available from sources such as powered floor cleaner manufacturers, government agencies dealing with employee safety, industrial trucking trade associations, public and private organizations, and safety advisers.

OPERATIONAL SAFETY RULES AND PRACTICES

Operator responsibility

Safe operation is the responsibility of the operator. The operator must develop safe work habits and be aware of dangerous conditions in order to protect himself, other personnel, the powered floor cleaner and other material. The operator must familiarize himself with the operation and function of all control elements and instruments before agreeing to operate the device. Before operating the device, operators must read and be familiar with the operating instructions for each device and observe the safety rules and practices in the following paragraphs. Before operating any equipment, the operator must be familiar with unusual operating conditions that may require additional safety precautions or special operating instructions.

General

Before initial startup the powered floor cleaner:

- 1 Be in the operating position.
- 2 Set the direction controller to the neutral position.
- 3 Apply the brake.
- 4 Set the switch to the "ON" position.

Do not start the device or operate the device, its functions or attachments from a location other than the specified operator position.

Keep hands and feet within the designated area for the operator or in the equipment compartment.

Understand the limitations of the device and operate the device safely so as not to cause injury to personnel. Protect pedestrians at all times.

- 1 Do not drive a powered floor cleaner towards people standing in front of an object.
- 2 Before turning maneuvers, ensure that personnel stay away from the rear swivel range.
- 3 Particular caution is required at front aisles, doors and other places where pedestrians can step into the path of the powered floor cleaner.

Do not allow passengers to drive with powered floor cleaners unless the manufacturer has provided a safe place to drive.

A powered floor cleaner is supervised when the operator is in sight, less than 25 ft (7.6 m) from the device.

A powered floor cleaner will not be supervised if the operator is in sight more than 25 ft (7.6 m) from the device or whenever the operator leaves the device and it is not in sight.

Before leaving the driver's position:

- 1 Bring the device to a standstill.
- 2 Set the direction controller to the neutral position.
- 3 Apply the parking brake.
- 4 Stop the engine or switch off the controls.
- 5 If the machine has to be parked on an incline, lock the wheels.

Maintain a safe distance from the edge of ramps, platforms and similar work areas.

When powered floor cleaners are being driven on or off long distance trucks or trailers, apply the brakes on the truck or trailers and use wheel chocks or other safe mechanical means to prevent unintentional movement of the truck or trailer.

Whenever powered floor cleaners are driven on and off semi-trailers that are not coupled to a tractor, supports may be required to prevent corners from tipping or diving. Care must be taken that overhead installations such as lights, cables, pipes, sprinkler systems, etc. are not touched. Report all accidents involving personnel, building structures and equipment to the supervisor or as instructed. Do not make any additions or modifications to the device. Do not block access to escape routes, stairs or fire extinguishers.

Driving

Observe all traffic regulations including the permitted speed limits. Drive on the right under normal traffic conditions. Maintain a safe distance based on the travel speed of the vehicle in front and keep the device under control at all times.

Give the right of way to pedestrians and emergency vehicles such as ambulances and fire engines.

Do not overtake another truck at intersections, blind spots or other dangerous places.

At the intersections of aisles and other places where visibility is impaired, reduce the travel speed and sound the acoustic warning device.

If possible, cross the railroad tracks at an angle. Park no closer than 6 ft (1800 mm) to the nearest rail of a railway line.

Travel up and down gradients slowly and with caution. If possible, avoid turning and be extremely careful on gradients, ramps or slopes; normally travel straight up and down the gradient.

Maintain a clear view of the route and pay attention to other traffic, personnel and safety distances.

Operate the device in driving conditions at a speed sufficient to bring the device to a safe stop.

Carry out starts, stops, rotations or turns in a gentle manner so as not to shift the load and / or overturn the powered floor cleaner.

Do not perform stunt rides or mischief.

Reduce the travel speed on wet and slippery floors.

Before driving over a slatted frame or a bridge plate, make sure that it is properly secured. Drive carefully and slowly over the slatted frame or bridge plate and never exceed the load-bearing capacity.

Do not drive the powered floor cleaner into an elevator unless expressly authorized. Drive slowly towards the elevator and then enter immediately after the elevator car has been properly leveled. As soon as you are in the elevator, put the control elements in neutral, switch off the power and apply the brakes. It is advisable that everyone else exits the elevator before the powered floor cleaner is allowed to enter or exit the elevator.

When cornering, reduce your speed to a safe level that is compatible with the operating environment. Take the curves gently. Except when maneuvering at very low speed, turn the steering moderately and smoothly.

The operation of a powered floor cleaner requires special safety aspects such as the following:

- 1 A powered floor cleaner can tip over if an operator does not slow down to a safe speed before cornering. Signs that a truck is being driven at excessive speed during turning maneuvers include:
 - Skidding of the tires
 - Device sliding away
 - Lifting of the wheels and
 - The need to firmly grip the steering wheel so as not to slip out of the seat
- 2 The chance of a side tipping is increased under any of the following conditions or a combination thereof:
 - Driving on an uneven surface
 - Driving at excessive speed
- 3 Tipping forward can occur and its likelihood is increased under the following conditions or a combination thereof:
 - The operator should stay with the powered floor cleaner if it falls off a loading ramp or ramp. The operator should hold on tight and lean away from the point of impact.
 - If the environment presents a serious hazard or other abnormal operating conditions exist, the user may need to use different and / or additional safety precautions and special operating instructions as appropriate for the conditions.

Maintenance of the device by the operator

At the beginning of each shift and before operating the powered floor cleaner, its condition must be checked, paying particular attention to the following:

- Condition of tires
- Check the tire pressure for pneumatic tires
- Warning and safety devices
- Lights
- Battery
- Controls
- Lifting and tipping systems
- Chains and cables
- Limit switches
- Brakes
- Steering mechanism
- Additional items or special equipment as specified by the user and / or manufacturer

If it is determined that the device is in need of repair, is in any way unsafe or contributes to an unsafe condition, the matter must be reported immediately to the user-designated authority and the device must not be put into service until it has been returned to a safe operating condition.

If the device becomes unsafe in any way during operation, the matter must be reported immediately to the authority designated by the user, and the device must not be put into service until it has been returned to a safe operating condition.

Do not make any repairs or adjustments unless expressly authorized.

Do not use an open flame when checking the electrolyte level in batteries.

MAINTENANCE AND RESTORATION ACTIVITIES

Operation of the device can be dangerous if maintenance is neglected or repairs, modifications or adjustments are not carried out in accordance with the manufacturer's design criteria. Therefore, maintenance facilities (on-site or off-site), trained personnel, and detailed procedures should be provided.

Parts manuals and maintenance manuals are available from the manufacturer of the powered floor cleaner.

In unusual cases that are not dealt with in the above manuals, contact the manufacturer of the powered floor cleaner. Maintenance and inspection of the device must be performed in accordance with the following practices:

- 1 A scheduled maintenance, lubrication and inspection system must be observed. Consult the manufacturer's recommendations.
- 2 Only trained and authorized personnel may maintain, repair, adjust and inspect the device in accordance with the manufacturer's instructions.

When lifting a powered floor cleaner for repair or inspection, the device must be lifted safely and stably. Removing components such as counterweights or posts changes the center of gravity and can lead to an unstable condition. Before starting the inspection and repair of the powered floor cleaner:

- 1 Raise the drive wheels off the ground, disconnect the battery, and use wheel chocks or other secure truck positioning device.
- 2 Block the chassis before working on it.
- 3 Disconnect the battery before working on the electrical system.
- 4 The charging plug may only be connected to the battery connection and never to the unit plug.

Operation of the powered floor cleaner to test the performance must be carried out in an approved area having a safe clearance.

- 1 Before initial startup:
 - Be in the operating position.
 - Apply the brake.
 - Set the direction controller to the neutral position.
 - Set the switch to the "ON" position.
 - Check the function of the lifting and tilting systems, steering, warning devices and brakes.
- 2 Before leaving the unit:
 - Stop the device.
 - Set the direction controller to the neutral position.
 - Apply the parking brake.
 - Stop the engine or switch off the controls.
 - Switch off the control circuit
 - If the machine has to be parked on an incline, lock the wheels.

Avoid fire hazards and have fire protection equipment ready in the work area. Do not use an open flame to check the fluid level, especially of battery electrolytes. Do not use open pans of fuel or flammable cleaning fluids to clean parts.

Properly ventilate the work area, discharge exhaust gases and keep the workshop clean and dry.

The brakes, steering mechanisms, control mechanisms, warning devices, lighting, controls, protection and safety devices, stops for the articulated axles and the frame parts must be checked carefully and regularly and kept in a safe operating condition.

FIRE SAFETY STANDARD

Devices that are not in a safe operating state must be taken out of service.

Repairs may not be made in Class I, Class II, and Class III locations.

Repairs to the electrical system of battery-operated floor cleaners may only be made after the battery has been disconnected.

Operating temperature. If it is determined that any part of a powered floor cleaner is above its normal operating temperature and poses a hazard, the vehicle should be taken out of service and not restarted until the cause of such overheating has been eliminated.

Fire protection. The device must be kept in a clean condition and reasonably free of lint, excess oil and grease. Non-flammable agents are preferred for cleaning the device. Flammable liquids [those with flash points at or above 100 °F (37.8 °C)] are not permitted. Precautions regarding toxicity, ventilation and fire hazard must be appropriate for the agent or solvent used.

Visibility of the type plate. The type designations of the device stated on the type plate and the type markings must not be painted over so that their identification information is covered.

Changing and charging batteries. This section applies to batteries used in electric trucks. The two types of batteries are generally lead and nickel-iron batteries. They contain corrosive chemical solutions, either acidic or alkaline, and therefore pose a chemical hazard. While charging, they emit hydrogen and oxygen, which are explosive in certain concentrations. Battery charging systems must be located in designated areas; these areas must be kept free of combustible foreign matter.

Facilities must be provided for:

- 1 Flushing off spilled electrolyte
- 2 Fire protection
- 3 Protecting chargers from damage by trucks, and
- 4 Adequate ventilation to disperse the fumes from gas batteries

If on-board chargers are used, charging must take place at the designated locations, taking into account the electrical requirements for the charger and the fire protection equipment.

Exception: Rinsing facilities are not required if the charging process is carried out without removing the battery from the vehicle.

When handling acid concentrates with more than 50 percent acid (over 1,400 specific gravity), an eye-wash device must be provided.

A conveyor belt, ceiling hoist, or equivalent material handling equipment should be provided for handling batteries. Chain hoists must be equipped with load chain containers.

When using a hand winder, uncovered batteries must be covered with a sheet of plywood or other non-conductive material to prevent the hand chain from shorting out the cell connections or terminals. A properly insulated spreader bar must be used with every ceiling hoist.

Reinstalled or new batteries must meet or exceed the battery type specified on the device. Newly inserted batteries must be properly positioned and secured in the device.

When using acid supplied in balloons, a balloon tipper or siphon must be provided. When concentrated sulfuric acid is diluted into electrolyte, the acid must ALWAYS be added to the water - not the other way around. Battery maintenance personnel must wear protective clothing such as eye protection, long sleeves and gloves.

Exception: No protective clothing is required for removing and replacing batteries.

Electrical installations must comply with NFPA 70, national electrical codes, and all local codes.

Trained and authorized personnel must change or charge the batteries.

The powered floor cleaner must be correctly positioned and the brakes must be applied before attempting to change or recharge the batteries.

When charging batteries, the vent caps must remain in place to prevent the electrolyte from spraying. Make sure that the vent caps work. The battery (or compartment) cover (s) must be open to dissipate heat and gas.

Smoking is prohibited in the charging area.

Precautions should be taken to prevent open flames, sparks, or electrical arcs in battery charging areas.

Tools and other metallic objects must be kept away from the lids of uncovered batteries.

The device must not be used in classified areas.

Customer Service

Registration

Your device must be registered in order to help with any questions or issues that you have. You can register your device at www.karcher-register.com if located in the U.S.A., www.karcher.com/ca if located in Canada, or www.karcher.com/mx if located in Mexico.

Warranty

In the case of a warranty claim, you can contact customer support. Please see the contact information listed below for either the USA, Canada or Mexico. You MUST provide your proof of purchase in order to file a warranty claim either via e-mail, phone or fax.

USA Customer Service

You can contact our Customer Service department by phone at **1-800-537-4129** or via the website at www.karcher-help.com.

Mexico Customer Service

You can contact our Customer Service department by phone at **01-800-024-1313** or via the website at www.karcher.com/mx.

Canada Customer Service

You can contact our Customer Service department by phone at **1-800-465-4980** or via the website at www.karcher.com/ca/support.

Scope of delivery

The scope of delivery for the appliance is shown on the packaging. During unpacking, check the contents for completeness. If any accessories are missing or in the event of any shipping damage, please notify our Customer Service department as stated above either by phone or via the website.

Safety instructions

Before using the device for the first time, read and observe these operating instructions and the accompanying brochure: Safety instructions for brush cleaning devices, No. 5.956-251.0.

The device is approved for operation on surfaces with a specified maximum incline (see chapter "Technical Data").

⚠ WARNING

The device can tip over

Danger of injury

Only operate the device on surfaces that do not exceed the permitted incline (see chapter "Technical Data").

⚠ WARNING

Risk of accident due to incorrect operation

People can be injured.

Operators must be properly trained on how to use this machine.

The device may only be operated when the hood and all covers are closed.

Safety devices

⚠ CAUTION

Missing or modified safety devices!

Safety devices are provided for your own protection.

Do not bypass, remove or render ineffective any safety devices.

Safety button

For immediate shut down of all functions: Set the safety button to "0".

- The device brakes hard when the safety button is switched off.
- The safety button acts directly on all unit functions

Seat switch

If the operator leaves the seat during work or while driving, the seat switch switches off the drive motor after a short delay.

Symbols on the device

⊘ ATTENTION

Risk of damage

Water will damage the suction turbine.

Do not fill or splash water into this opening.

⚠ CAUTION

Danger of burns

Components marked with this notice become hot during operation.

Do not touch components marked in this way. Let these components cool down before working on the device.

⚠ DANGER

Danger of accident

On slopes, there is an increased risk of tipping over at high speed.

Drive slowly downhill.

Do not turn on a slope.

When driving fast, avoid jerky steering with a large steering angle.

Warning symbols

Observe the following warnings when handling the batteries:

	Observe notes in the instructions of the battery, on the battery and in these operating instructions.
	Wear eye protection.
	Keep acids and batteries away from children.
	Risk of explosion
	Fire, sparks, open flames and smoking are prohibited.
	Risk of acid burns
	First aid.
	Warning
	Disposal
	Do not throw batteries in the bin.

Hazard levels

⚠ DANGER

- Indication of an imminent threat of danger that will lead to severe injuries or even death.

⚠ WARNING

- Indication of a potentially dangerous situation that may lead to severe injuries or even death.

⚠ CAUTION

- Indication of a potentially dangerous situation that may lead to minor injuries.

⊘ ATTENTION

- Indication of a potentially dangerous situation that may lead to damage to property.

Function

This scouring and vacuum machine is used for wet cleaning or polishing of level floors.

The device can be adjusted to suit the respective cleaning task by setting the water volume and detergent volume appropriately. The detergent dosing unit is adjusted by adding detergent to the tank or via a dosing device ("Dose" option).

Brush irrigation is either speed-dependent or constant. The working width and the capacity of the fresh and waste water tanks (see chapter "Technical Data") allow effective cleaning over long working times. The device has a drive.

Note

The device can be equipped with various accessories to suit the respective cleaning order. Request a copy of our catalog or visit our Internet website at www.kaercher.com.

Intended use

This device is suitable for commercial and industrial use, e.g. in hotels, schools, hospitals, factories, shops, offices, and rental companies. Use the device only in accordance with the information in these operating instructions.

- The device may only be used for cleaning smooth surfaces that are insensitive to water and polishing.
- The device is designed for indoor use.
- The operational temperature range is between +5 °C and +40 °C.
- The device is not suitable for cleaning frozen floors (e.g. in cold stores).
- The device is suitable for a maximum water height of 1 cm. Do not drive into an area if there is a danger of exceeding the maximum water height.
- When using chargers or batteries, only the components approved in the operating instructions may be used. A different combination must be confirmed by the responsible supplier of the charger and/or battery.
- The device is not intended for cleaning public traffic routes.
- The device must not be used on pressure-sensitive floors. Take into account the permissible load per unit area of the floor. The load per unit area caused by the device is specified in the technical data.
- The device is not suitable for use in potentially explosive environments.
- The device is approved for operation on surfaces with a maximum incline (see chapter "Technical Data").

Environmental protection



The packing materials can be recycled. Please dispose of packaging in accordance with the environmental regulations.



Electrical and electronic appliances / devices contain valuable, recyclable materials and often components such as batteries, rechargeable batteries or oil, which - if handled or disposed of incorrectly - can pose a potential threat to human health and the environment. However, these components are required for the correct operation of the appliance / device. Appliances / devices marked by this symbol are not allowed to be disposed of together with the household trash.

Notes on the content materials (REACH)

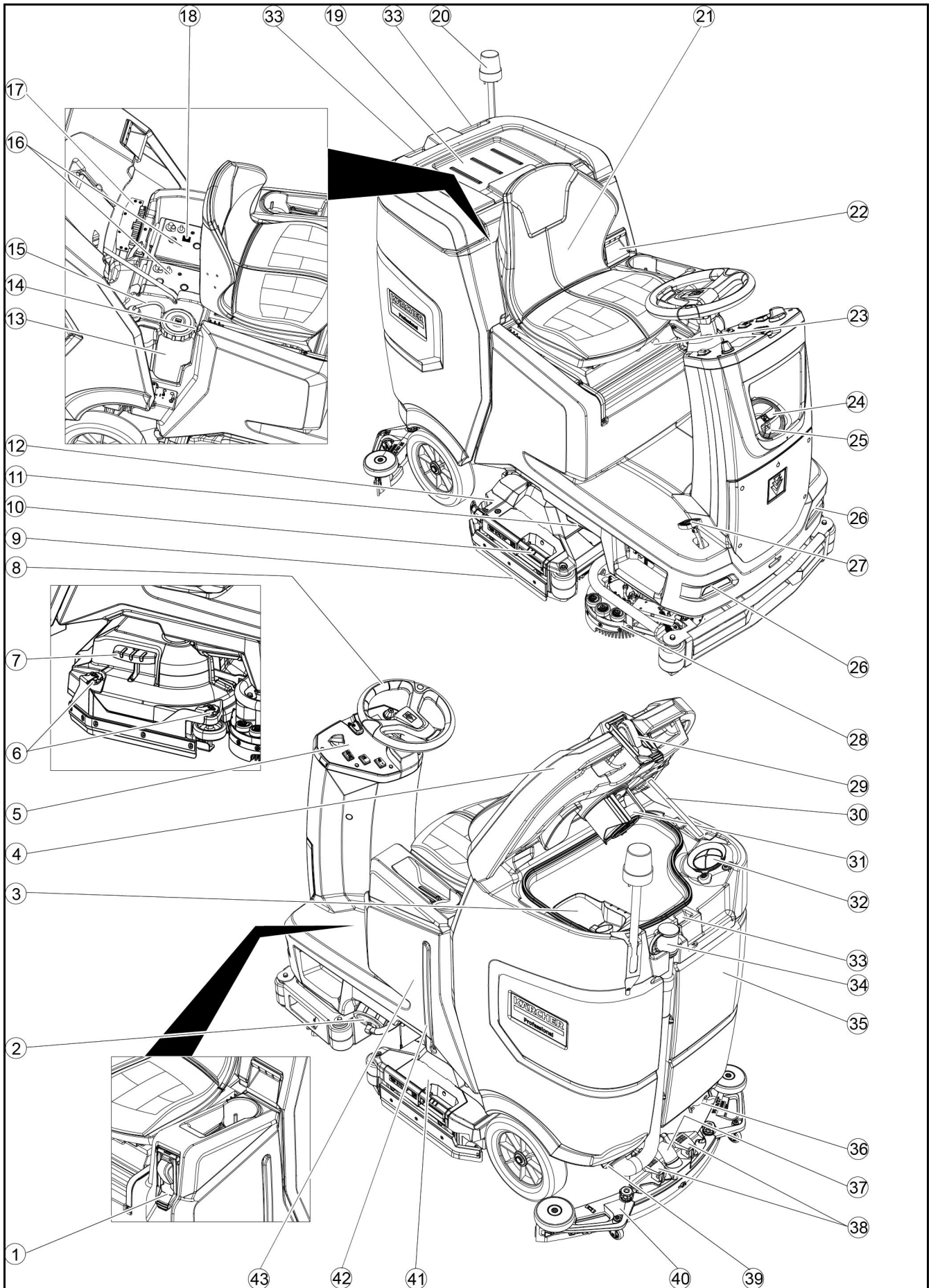
Current information on content materials can be found at: www.kaercher.de/REACH

Scope of delivery

During unpacking, check the contents for completeness. If any accessories are missing or in the event of any shipping damage, please notify your dealer.

Description of the unit

Overview of the unit



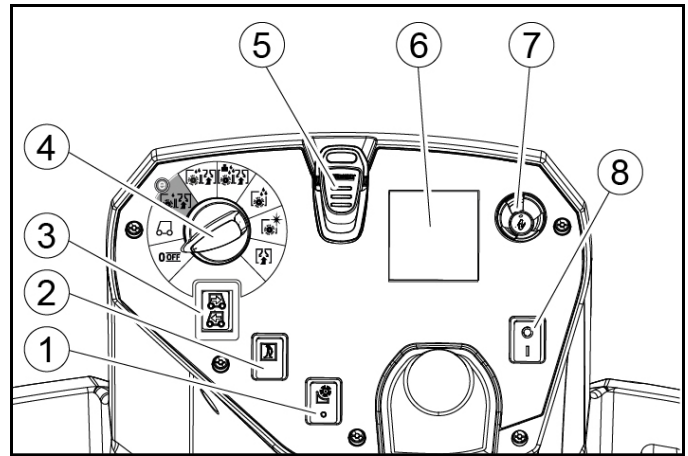
- ① * Filling system
- ② Fresh water tank cap with fresh water filter
- ③ Coarse dirt sieve
- ④ Waste water tank cap
- ⑤ Control panel
- ⑥ Squeegee blade adjustment wheel (D cleaning head only)
- ⑦ Brush replacement pedal (D cleaning head only)
- ⑧ Steering wheel
- ⑨ Squeegee blade
- ⑩ Brush replacement handle (R cleaning head only)
- ⑪ Sidelight
- ⑫ Coarse dirt container (only with R cleaning head)
- ⑬ Detergent canister
- ⑭ Type plate
- ⑮ Detergent suction hose
- ⑯ Battery
- ⑰ * Internal charger
- ⑱ Battery connector (with external charger)
Charger mains cable (with internal charger)
- ⑲ Storage area for "Homebase Box" cleaning set
- ⑳ * Warning light
- ㉑ Seat
- ㉒ Waste water tank latch
- ㉓ Seat adjustment lever
- ㉔ Fresh water tank filling hole
- ㉕ Hose switch
- ㉖ Daytime running light
- ㉗ Accelerator pedal
- ㉘ * Side scrubbing deck
- ㉙ * Water connection for waste water tank rinsing system
- ㉚ Waste water tank lid support
- ㉛ Float
- ㉜ Fluff filter
- ㉝ Storage for suction bar
- ㉞ Waste water tank drain hose with dosing unit
- ㉟ Waste water tank
- ㊱ * Mop holder
- ㊲ Suction hose
- ㊳ Suction bar clamping lever
- ㊴ Waste water tank lock
- ㊵ Suction bar
- ㊶ Cleaning head
- ㊷ Fresh water filling level display
- ㊸ Fresh water tank

* optional

Color coding

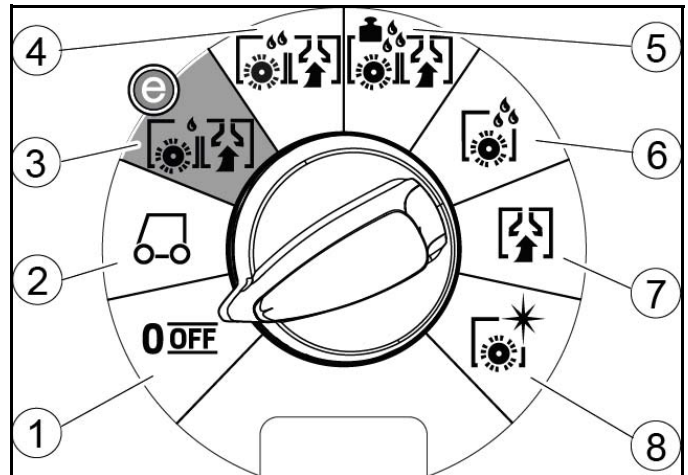
- Control elements for the cleaning process are yellow.
- Control elements for maintenance and servicing are light gray.

Control panel



- ① * Side scrubbing deck switch
- ② Horn
- ③ Travel direction switch
- ④ Program switch
- ⑤ Intelligent key
- ⑥ Display
- ⑦ Info button
- ⑧ Safety button

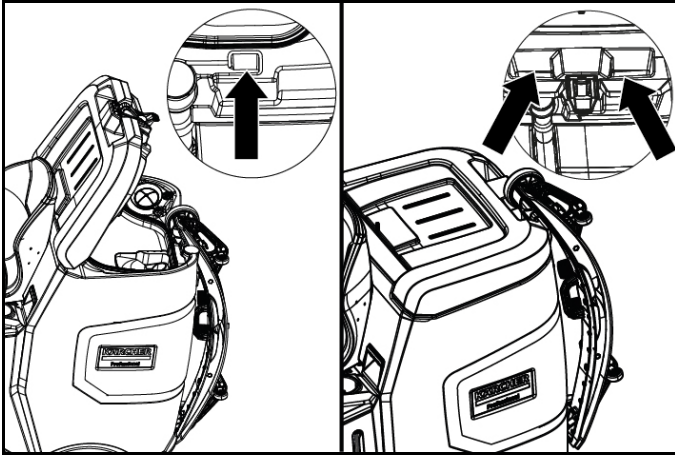
Program switch



- ① OFF
Device is switched off.
- ② TRANSPORT MODE
Drive to the operating location.
- ③ ECO MODE
Wet clean the floor (with reduced water quantity and reduced brush speed) and vacuum up waste water (with reduced suction performance).
- ④ NORMAL MODE
Wet clean floor and soak up waste water.
- ⑤ HEAVY MODE
Clean the floor wet (with increased brush contact pressure) and soak up the waste water.
- ⑥ SCRUB MODE
Presenting without absorbing
Clean the floor wet and let the detergent take effect.
- ⑦ SUCTION MODE
Soak up the dirt.
- ⑧ POLISH MODE
Polish floor without applying liquid at high brush speed.

Suction bar holder

- When driving through narrow spaces, the suction bar can be removed and hung in one of the openings on the lid of the waste water tank.



The suction bar can be hung in the recess on the waste water tank for storage.

Symbols on the device



Fresh water tank drain opening



Waste water tank drain opening



Fresh water tank filling level (50%)



Eyelet point



* Mop holder



Filling system water connection



Waste water tank flushing system water connection



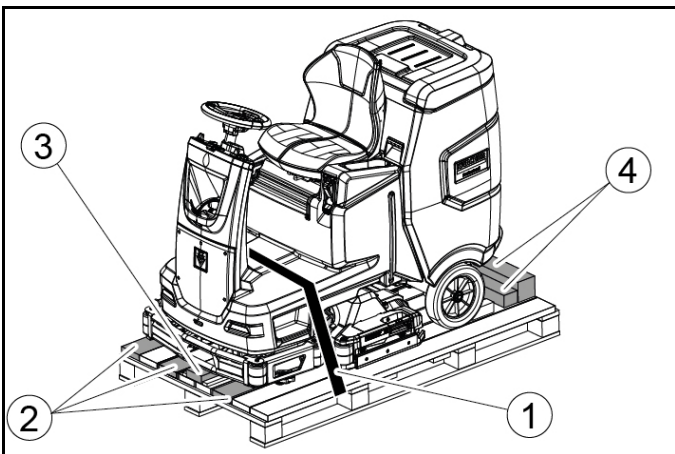
Brush replacement

* optional

Installation

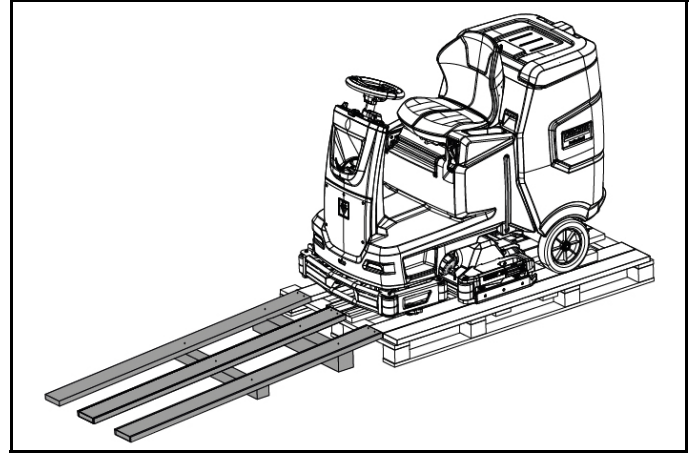
Unloading

1. Remove the packaging film.
2. Remove the strap.



- ① Strap
- ② Board
- ③ Block
- ④ Squared timber

3. Unscrew the block, squared timber and boards. The components to be unscrewed are marked in gray in the illustration.
4. Place a ramp in front of the pallet using the unscrewed boards and squared timber and fasten with chipboard screws.



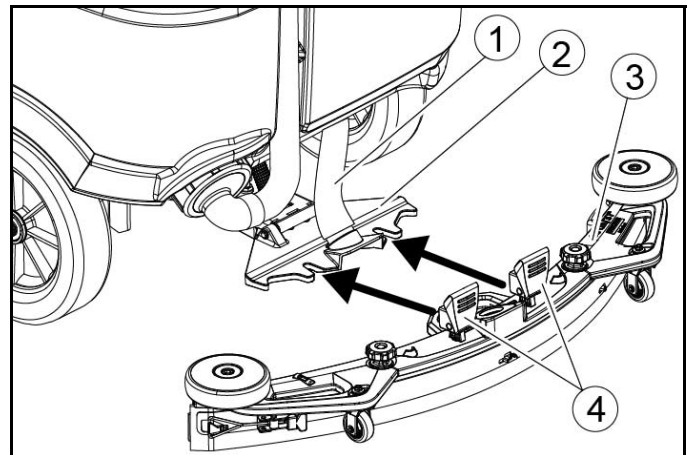
5. Install the batteries if the device was delivered without batteries (see chapter "Before initial startup/batteries").
6. Drive the device forward and off the pallet (see chapter "Operation / Driving").

Installing the brushes

1. The installation of the brushes is described in the chapter "Maintenance work".

Installing the suction bar

1. Pivot both clamping levers upwards.



- ① Suction hose
- ② Suction bar suspension
- ③ Suction bar
- ④ Clamping lever

2. Insert the suction bar in the suction bar mount.
3. Pivot both clamping levers downwards.

Batteries

Recommended battery packs

ATTENTION

Risk of damage

Batteries may only be replaced with batteries of the same technology.

Lead batteries must not be replaced by Li-Ion batteries

Li-ion batteries must not be replaced by lead batteries.

Lead batteries:

Description	Order no.	Volume (m ³)*	Airflow (m ³ /h)**
170 Ah - Maintenance-free, AGM	4.039-352.7	2,4	1,0
180 Ah - Maintenance-free, gel	4.039-354.7	3,8	1,6
285Ah - Maintenance-free, AGM	4.039-353.7	12,6	5,1

* Minimum volume of battery charging room

** Minimum air flow between battery charging room and environment

The device requires 2 batteries.

Li-ion batteries:

Description	Order no.
80 Ah, 25.6 V	6.654-454.0

The device requires 2 batteries.

Installing and connecting batteries

Note

In the case of the device variant with Li-Ion battery, the battery is already installed and connected.

⚠ CAUTION

Removing and installing the batteries

Unstable machine position

Ensure that the machine is positioned stably when removing and installing the batteries.

ATTENTION

Incorrect connection polarity

Destruction of the control electronics

Take care to ensure the correct polarity when connecting the batteries.

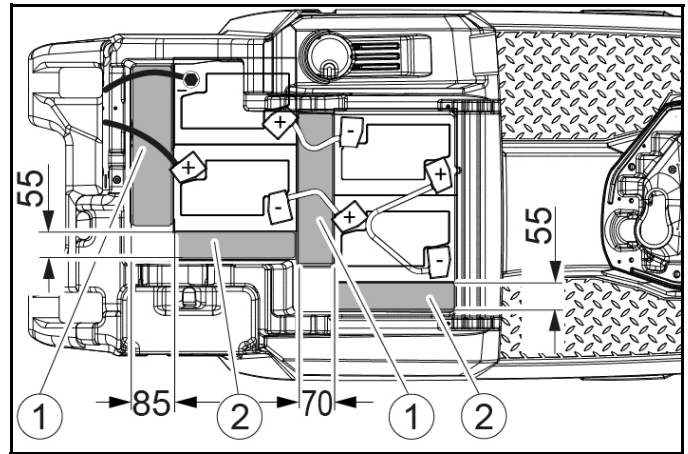
ATTENTION

Deep discharge

Risk of damage

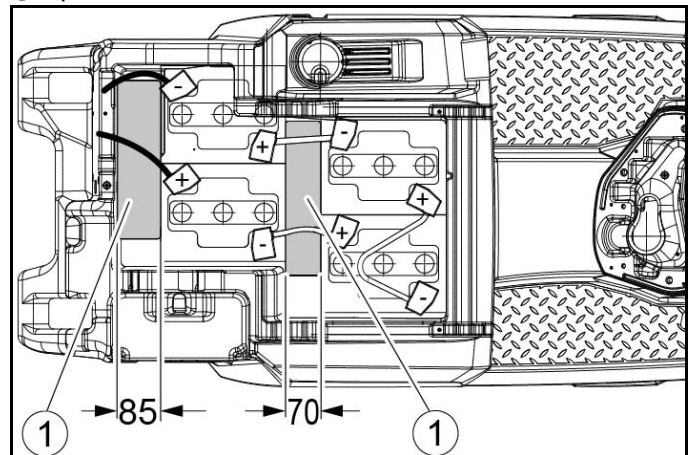
Charge the batteries before starting the device.

1. Drain the waste water.
2. Unlock the waste water tank and pivot it to the rear.
3. Place the battery in the device.



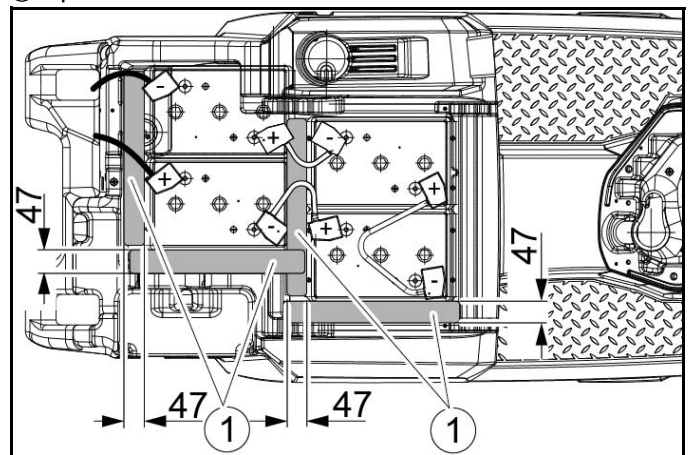
170 Ah, 4.039-352.7

- ① Spacer 310x85x70 mm
- ② Spacer 240x55x30 mm



180 Ah, 4.039-354.7

- ① Spacer 310x85x70 mm



285 Ah, 4.039-353.7

- ① Spacer 345x60x47
- 160 Ah Li-Ion, 6.654-454.0

- ① Plate
 - ② Spacer 155x300x60
 - ③ Spacer 320x90x40
4. Insert the spacers at the locations shown in the picture between the battery and the device.
 5. Connect the battery terminals using the connecting cables.
 6. Clamp the connecting cable on the (+) and (-) battery terminals that are still free.

Note

For the 170 Ah 4.039-352.7 battery set, attach the connection cable to the negative pole with the insulated pole screw.

7. Connect the device-side battery connector to the battery-side battery connector.
8. Pivot the waste water tank forwards and close it.

Removing the battery

⚠ CAUTION

Removing and installing the batteries

Unstable machine position

Ensure that the machine is positioned stably when removing and installing the batteries.

⚠ WARNING

Risk of injury due to the device tipping over!

Device may tip over when removing and installing batteries.

Ensure that the device is positioned stably when removing and installing the batteries.

1. Turn the key-operated switch to "0" and remove the key.
2. Disconnect the battery connector.
3. Drain the waste water.
4. Pivot the waste water tank upwards.
5. Disconnect the device-end cable from the negative terminal at the battery.
6. Disconnect the remaining cables from the battery.
7. Remove the battery.
8. Dispose of the used batteries in accordance with statutory provisions.

Initial startup

Charging the battery

⚠ DANGER

Inappropriate use of the charger

Electric shock

Adhere to the mains voltage and fuse values specified on the device type plate.

Only use the charger in dry rooms with sufficient ventilation.

Flammable gases are generated when the battery is charged

Risk of explosion

Only charge the battery in a suitable room. The room must have a minimum volume depending on the battery type and an adequate air exchange rate with a minimum air flow (see "Recommended batteries").

ATTENTION

Accumulation of dangerous gases under the tank during the charging process

Risk of explosion

Pivot the waste water tank upwards before charging low-maintenance batteries.

The average charging time is approx. 10-15 hours.

The device cannot be used during the charging process.

Note

The device has deep discharge protection, i.e. the brush motor and turbine are switched off automatically when the permitted minimum capacity level is reached.

1. Drive the device directly to the charger and do not drive on slopes.

Setting the charging characteristic

Before the initial startup, after a service reset or when changing to a different battery type, it is essential to set the charging characteristic.

⚠ DANGER

Danger due to the device inadvertently starting up

Risk of injury

Disconnect the spark plug connector or disconnect the battery before performing any work on the device.

ATTENTION

Risk of damage to the battery

The service life and charging capacity of the battery can be affected by an incorrect charging characteristic.

Make sure that the battery characteristic curve that matches the battery is selected in the machine.

The currently selected battery characteristic curve can be seen on the display or via the app in the "Device status" area during charging.

Note

The charging characteristic can only be adjusted by Kärcher Service.

Battery characteristics are available for the following batteries:

- EXIDE GF12105V
- HOPPECKE TB115
- EXIDE GF12076V
- EXIDE FF12080W
- TROJAN 27TMX
- HOPPECKE TB80
- ZENITH L120185

Note

To enable the use of other batteries as well, a custom battery characteristic curve can be created by the Kärcher service department.

External charger

ATTENTION

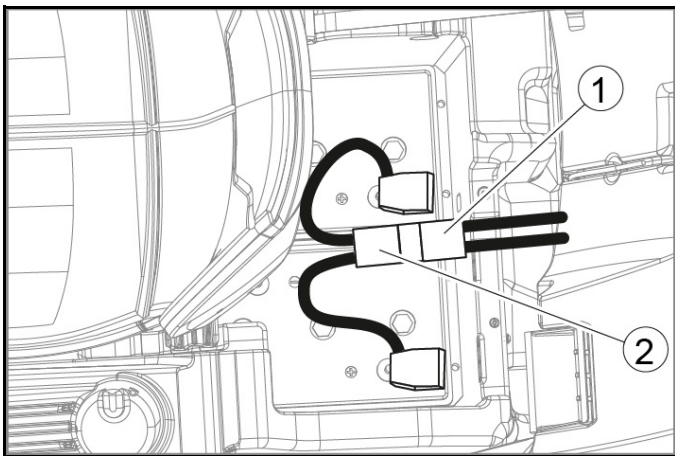
Risk of damage due to unsuitable charger!

Do not connect the charger to the device-side battery connector.

Use only a charger suitable for the type of battery installed.

Battery	Capacity	Charger
4.039-352.7	170 Ah	6.654-436.0
4.039-354.7	180 Ah	6.654-434.0
4.039-353.7	285Ah	6.654-419.0

1. Unlock the waste water tank and pivot it to the rear.
2. Pull out the device-side battery connector.



- ① Battery plug, device side
- ② Battery plug, battery side
3. Connect the battery-side battery connector to the charger.
4. Plug the mains plug of the charger into the socket.
5. Carry out the charging process in accordance with the operating instructions for the charger.
6. Connect the device-side battery connector to the battery-side battery connector.
7. Pivot the waste water tank forwards and then close it.

Internal charger

1. Unlock the waste water tank and pivot it to the rear.
2. Plug the mains plug of the internal charger into the mains socket.
The charging state of the battery is shown on the control panel display.
3. Unplug the charger mains plug from the mains socket after the charging process.
4. Pivot the waste water tank forwards.

Low-maintenance batteries (wet batteries)

⚠ DANGER

Refilling discharged batteries with water

Danger of acid burns from escaping acid, destruction of clothes

Wear safety goggles, protective clothing and protective gloves when handling the battery acid.

Observe the applicable regulations.

Immediately rinse off any splashed acid from the skin or clothes using copious amounts of water.

ATTENTION

Using water with additives

Defective batteries, loss of warranty claim

Top up the batteries using only distilled or desalinated water (EN 50272-T3).

Do not use any foreign additives, so-called enhancing agents, because this will invalidate the warranty.

1. Add distilled water one hour before the charging process comes to an end. Observe the correct acid level according to the battery label.
All cells must produce gas at the end of the charging process.
2. Clean up any spilled water. To do this, proceed as described in the "Cleaning the batteries" section in the Care and Maintenance chapter.

Operation

⚠ DANGER

Falling objects

Danger of injury

Do not drive the device into areas where there is a possibility of the operating personnel being hit by falling objects.

ATTENTION

Risks during operation

Danger of injury

In the event of danger, set the safety button to "0".

Pushing the device

To push the device, the brake must be unlocked.

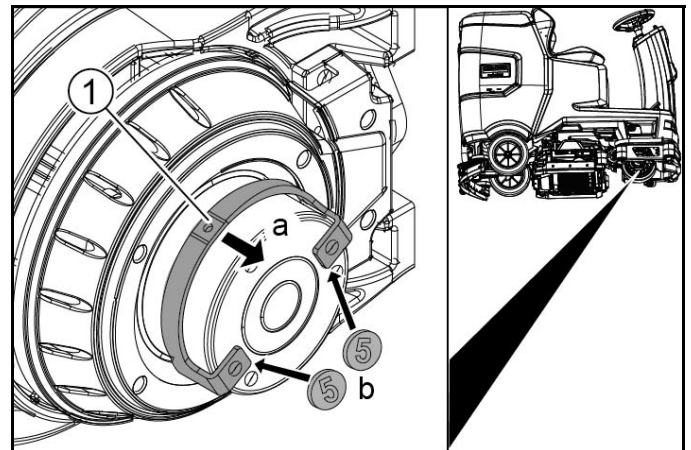
⚠ DANGER

Danger of accident

When the brake is unlocked, the function of the brake is permanently out of operation.

Be sure to remove the coins for unlocking immediately after pushing.

1. Pivot the release lever away from the wheel and hold it there.



- ① Release lever
2. Insert a coin between the housing and the lever at both ends of the lever.
3. Let go of the release lever.
4. Push the device.
5. Remove both coins immediately after pushing.

Adjusting the seat

Adjusting the height

1. Stand next to the device.
2. Raise the seat at the back.
3. Align the front seat bracket to the desired height of the device.
4. Lower the seat at the back.

Adjusting the position

1. Operate the seat adjustment lever and move the seat to the desired position.
2. Release the seat adjustment lever and latch the seat into position.

Switch on the device

1. Get in the driver's seat.
2. Insert the Intelligent Key.
3. Set the safety button to position "1".
4. Turn the program switch to the desired function.
5. If one of the indications below appears in the display, take your foot off the accelerator pedal, set the safety button to "0" and carry out the necessary maintenance work.

Display	Activity
maintenance squeegee	Clean the suction bar.
maintenance brush head	Check the brushes for wear and clean them.
maintenance squeegee blade	Check the suction lips for wear and adjustment.
maintenance turbine filter	Clean the fluff filter.
maintenance fresh water filter	Clean the filter with fresh water.

6. Press the info button.
7. Reset the counter for the corresponding maintenance (see "Gray Intelligent Key/Reset Maintenance Counter").

Note

If the counter is not reset, the maintenance indicator will reappear each time the device is turned on.

Switching on the light

Daytime running light

The daytime running light is in operation when the device is switched on.

Sidelight

The sidelight lights up as soon as the program switch is set to a cleaning program.

Check parking brake

⚠ DANGER

Defective parking brake

Danger of accident

Before each operation, check the function of the parking brake on level ground.

1. Switch on the device.
2. Set the travel direction to "forward".
3. Set the program switch to "TRANSPORT MODE".
4. Press the accelerator pedal lightly.
The brake must release audibly. The device must roll off easily on the level.
5. Release the accelerator pedal.
The brake must engage audibly.

If this is not the case, put the device out of operation and call the customer service.

Driving

⚠ DANGER

Lack of braking effect

Accident risk

Be sure to check the parking brake before using the device. Never use the device if the parking brake is not working.

⚠ DANGER

Careless driving

Danger of tipping over

Only drive in the direction of travel and across the direction of travel on gradients up to maximum of 10%.

Do not turn on gradients.

Drive slowly in corners and on wet ground.

Only drive the device on stable ground.

Note

The travel direction can be changed during the journey operation. This allows very dull spots to be polished by moving back and forth several times.

1. Assume the sitting position.
2. Insert the Intelligent Key.
3. Set the safety button to "1".
4. Set the program switch to "TRANSPORT MODE".
5. Set the travel direction using the travel direction switch on the control panel.
6. Determine the travel speed by pressing the travel pedal.
7. Release the accelerator pedal.

The device stops.

In case of overload, the engine is switched off. A fault message appears in the display. If the control overheats, the affected engine is switched off.

8. Allow the device to cool down for at least 15 minutes.
9. Set the program switch to "OFF", wait briefly and set to the desired program.

Filling with fresh water

Filling with fresh water via the filling system

1. Connect the water hose to the connection nozzle of the filling system (maximum water temperature 50 °C).
2. Open the water inlet.
3. Monitor the device, the automatic filling system interrupts the water supply when the fresh water tank is full.
4. Close the water inlet.
5. Remove the water hose.

Filling with fresh water

1. Open the fresh water tank lock.
2. Fill fresh water (max. 50 °C) to the lower edge of the filling nozzle.
Note: The fresh water hose can be clamped in the hose switch during filling.
3. Close the fresh water tank lock.

Filling with detergent

Notes on detergents

⚠ WARNING

Unsuitable detergents

Health risk, damage to the device

Use only recommended detergents. The operator carries all increased risks relating to operational safety and increased risk of accidents if using other detergents.

Use only detergents free of chlorine, solvents, salt and hydrofluoric acid.

Adhere to the safety instructions stated on the detergent packaging.

Note

Do not use heavily foaming detergent.

Recommended detergents

Usage	Detergent
Maintenance cleaning of all water-resistant floors	RM 746 RM 756 RM 780
Maintenance cleaning of polished hard surfaces (e.g. granite)	RM 755 es
Maintenance cleaning, intermediate cleaning and basic cleaning of industrial floors	RM 69 ASF
Maintenance cleaning and basic cleaning of fine stone tiles	RM 753
Maintenance cleaning of tiles in sanitary areas	RM 751
Coating removal on all alkaline-resistant floors (e.g. PVC)	RM 752
Coating removal on linoleum floors	RM 754

Fill in detergent with dosing device

Only variant DOSE:

Detergent is added to the fresh water on its way to the cleaning head by a dosing device.

1. Unlock the waste water tank and swing it backwards.
2. Fill the detergent canister with detergent.
3. Swivel the waste water tank forward.

Note

A maximum of 3% detergent can be added with the dosing device. For higher dosage, the detergent must be added to the fresh water tank.

Filling the detergent into the fresh water tank

1. Fill the detergent into the fresh water tank.

Note: The cap of the fresh water tank filling hole can be used for measuring the detergent. It is fitted with a scale on the inside.

Adjusting parameters

1. Set the program switch to the desired cleaning program.
2. Turn the Info button until the desired parameter is displayed.
3. Press the Info button.
The adjusted value flashes.
4. Set the desired value by turning the Info button.
5. Confirm the changed setting by pressing the Info button or wait until the set value is automatically accepted after 10 seconds.

Yellow Intelligent Key

The yellow Intelligent Key authorizes functions that are required for the cleaning task.

The parameters for the various cleaning programs are preset in the device. Individual parameters can be changed depending on the authorization of the yellow Intelligent Key.

The display texts for parameter settings are largely self-explanatory.

"FACT" parameters (only available with R cleaning head):

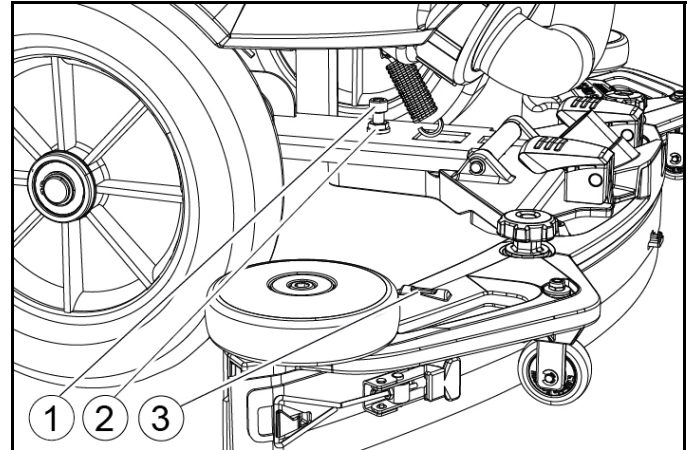
- "Fine Clean": Low brush speed for removing gray film from fine stone.
- "Whisper Clean": Medium brush speed for maintenance cleaning with reduced noise level.
- "Power Clean": High brush speed for polishing, crystalizing and sweeping.

Adjusting the suction bar

Adjusting the inclination

The inclination must be adjusted so that the suction lips of the suction bar make even contact with the floor over the entire length of the suction bar.

1. Park the device on a surface without a slope.
2. Turn the program switch to the "Vacuum" position.
3. Drive the device a small distance forwards.
4. Read the spirit level.



- ① Screw
- ② Nut
- ③ Spirit level
5. Unscrew the nut.
6. Adjust the screw so that the spirit level indicator is between the two lines.
7. Tighten the nut.
8. To check the new setting, move the device forward again a short distance. Repeat the adjustment process if necessary.
9. Turn the program switch to "OFF".

Adjusting the height

The height adjustment affects the bending of the suction lips on contact with the floor.

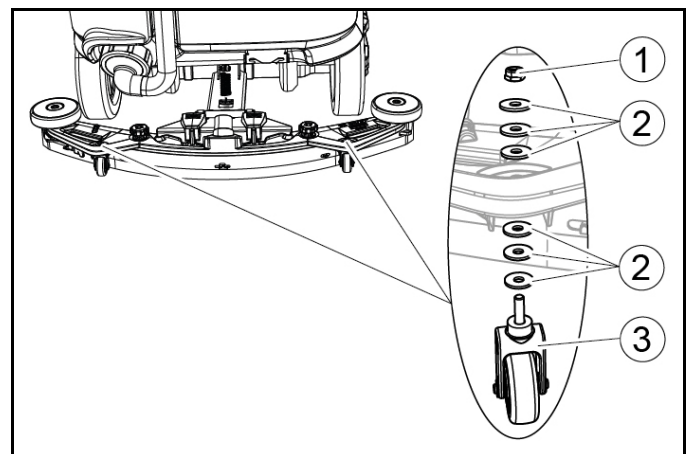
Note

Standard setting: 3 washers above, 3 washers below the suction bar.

Uneven floor: 5 washers above, 1 washer below the suction bar.

Very smooth floor: 1 washer above, 5 washers below the suction bar.

1. Unscrew the nuts.



- ① Nut
- ② Washer
- ③ Spacer roller with holder

- Place the desired number of washers between the suction bar and the spacer roller.
- Fit the remaining washers above the spacer roller.
- Screw on the nut and tighten.
- Repeat the entire procedure at the other spacer roller.

Note

Set both spacer rollers to the same height.

Adjusting the squeegee blades

The squeegee blades only need to be adjusted on the D cleaning head.

- Adjust the squeegee blades by turning the adjustment wheel so that the squeegee blade touches the ground.
- Turn the adjustment wheel an additional 1 turn downwards.

Cleaning

- Sit on the seat.
- Insert the Intelligent Key.
- Set the safety button to "1".
- Set the travel direction switch to forward travel.
- Set the program switch to the desired cleaning program.
- Determine the speed with the accelerator pedal.
- Determine the travel direction with the steering wheel.
- Drive over the surface to be cleaned.

Side scrubbing deck (option)

The side scrubbing deck makes working close to the edge easier.

Note

The side scrubbing deck is not active in the polish and vacuum cleaning programs.

- Operate the side scrubbing deck switch.
The side scrubbing deck is activated.
- To finish working with the side scrubbing deck, set the side scrubbing deck switch to "0".

Finishing operation

Finishing cleaning

- Set the program switch to Drive.
- Continue moving a short distance.
The residual water is vacuumed up.
- Turn the program switch to "OFF".
- Remove the Intelligent Key.
- Charge the batteries if necessary.

Draining the waste water

⚠ WARNING

Improper disposal of waste water

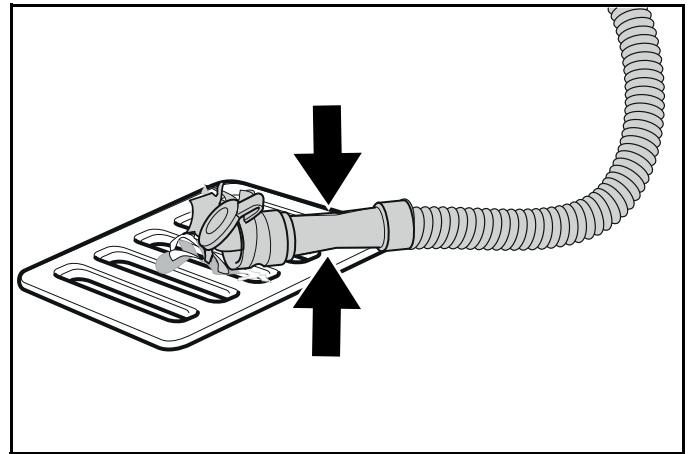
Environmental pollution

Observe the local waste water treatment regulations.

Note

When the waste water tank is full, the suction volume is interrupted by a float to prevent the waste water tank from overflowing. In this case, drain the waste water.

- Remove the waste water drain hose from the holder and open the cover of the drain hose.



- Squeeze the end of the hose and lower it over the disposal facility.
- Adjust the strength of the waste water jet by squeezing the end of the hose.
- Rinse the waste water tank with clear water.
- Close the drain hose cover.
- Press the waste water hose into the holder on the device.

Waste water tank rinsing system (option)

- Remove the waste water drain hose from the holder and open the cover of the drain hose.
- Close the cover of the waste water tank.
- Connect a water supply hose to the water connection of the waste water tank rinsing system.
- Open the water inlet and rinse the waste water tank for about 30 seconds.
- Repeat the rinsing process 2 to 3 times if necessary.
- Close the water inlet.
- Disconnect the water supply hose from the device.
- Close the waste water drain hose and press it into the holder.

Empty the coarse dirt container

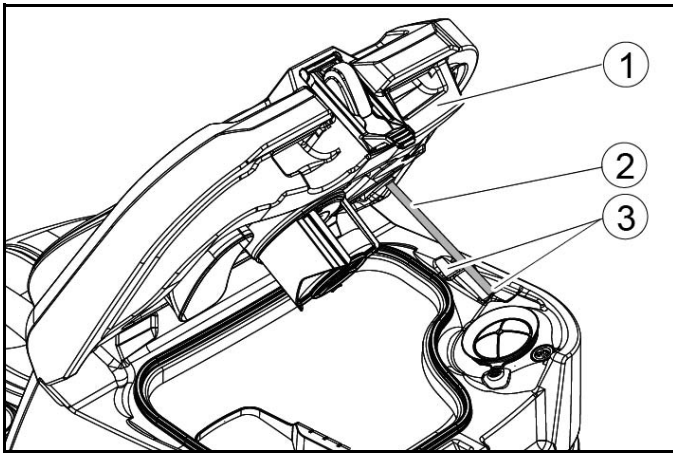
- Lift the coarse dirt container and pull it out.
- Empty the coarse dirt container.
- Reinstall the coarse dirt container.

Draining fresh water

- Open the fresh water tank cap.
- Drain the fresh water.
- Clean the filter.
- Fit the fresh water tank cap.

Shutting down the device

- Turn the program switch to "OFF".
- Remove the Intelligent Key.
- Secure the device against rolling away.
- Open the lid of the waste water tank and secure it with the support so that the waste water tank can dry out. To do this, swing the support down and position the lower end at the desired level when swinging down the cover.



- ① Waste water tank cap
- ② Support
- ③ Level

5. Charge the batteries if necessary.

Gray intelligent key

The gray Intelligent Key grants the supervisory staff extended authorizations and setting options.

1. Insert the Intelligent Key.
2. Select the desired function by turning the info button.

Transport trip

1. Set the program switch to "TRANSPORT MODE".
2. Press the info button.

The following functions can be performed in the TRANSPORT MODE menu:

- Set maximum speed
- Display operating hours counter
- Delete maintenance counter
- Show software versions
- Set R or D cleaning head
- Switch speed-dependent water dosing on/off
- Set after-running times
- Set language
- Key management
- Switch attachment kits on/off
- Activate factory setting

Maximum speed

In the menu "max speed" the maximum speed can be limited.

1. Turn the info button until "max speed" is shown in the display.
2. Press the info button.
3. Turn the info button until the desired maximum speed is displayed.
4. Press the info button.

Note

The working speed cannot exceed the set maximum speed.

Resetting the maintenance counter

If a maintenance task shown in the display has been carried out, the corresponding maintenance counter must then be reset.

1. Turn the info button until "maintenance count." is displayed.
2. Press the info button.
The meter readings are displayed.

3. Rotate the info button until the counter to be deleted is highlighted.
4. Press the info button.
5. Select "yes" by rotating the info button.
6. Press the info button.
The counter is deleted.

Adjusting the cleaning head

1. Turn the info button until "brush head" is displayed in the menu.
2. Press the info button.
3. Turn the info button until the type of cleaning head installed is highlighted.
"Roll" = R cleaning head
"Disc" = D cleaning head
4. Press the info button.

Speed-dependent water dosing

If the speed-dependent water dosing is switched on, the brush watering changes proportionally with the speed. The water dosage is additionally influenced by the setting of the respective cleaning program (0...100%).

Setting	ON [ml/m ²]	OFF [l/min]
0%	0	0
10%	7.5	0.6
20%	15	1.1
30%	22.5	1.7
40%	30	2.3
50%	37.5	2.8
60%	45	3.4
70%	52.5	3.9
80%	60	4.5
90%	67.5	5.1
100%	75	5.7

Set speed-dependent or constant water dosing:

1. Turn the info button until "water dosage mode" is shown in the display.
2. Press the info button.
3. Turn the info button until the desired function is marked...
4. Press the info button.

After-running times

1. Turn the info button until the menu item "delay times" is shown in the display.
2. Press the info button.
3. Turn the info button until the desired assembly is marked.
4. Press the info button.
5. Turn the info button until the desired after-running time is displayed.
6. Press the info button.

Set language

1. Turn the info button until the menu item "language" is shown in the display.
2. Press the info button.
3. Turn the info button until the desired language is marked.
4. Press the info button.

Key management

In the menu item "key menu" the authorizations for yellow Intelligent Keys as well as the language of the display are released.

1. Insert the gray Intelligent Key.
2. Turn the info button until the menu item "key menu" appears in the display.
3. Press the info button.
4. Remove the gray Intelligent Key and insert the yellow Intelligent Key to be personalized.
5. Select the menu item to be changed by turning the info button.
6. Press the info button.
7. Select the setting of the menu item by turning the info button.
8. Confirm the setting by pressing the menu item.
9. Select the next menu item to be changed by turning the info button.
10. After all settings have been made, call up the menu "save" by turning the info button.
11. Press the info button.
The authorizations are saved.

Switch attachment kits on / off

1. Turn the info button until the desired attachment kit is shown on the display.
2. Press the Info button.
3. Turn the info button until the desired function of the attachment kit is selected.
4. Press the Info button.

Factory setting

The factory setting of all cleaning parameters is restored.

1. Turn the info button until the menu item "factory settings" is displayed.
2. Press the info button.
3. Turn the info button until "yes" is highlighted.
4. Press the info button.

Set parameters for cleaning programs

All parameters for cleaning programs are retained until another setting is selected.

1. Set the program switch to the desired cleaning program.
2. Press the info button.
The first adjustable parameter is displayed.
3. Press the info button
The set value flashes.
4. Set the desired value by turning the info button.
5. Confirm the changed setting by pressing the info button or wait until the set value is automatically accepted after 10 seconds.
6. Select the next parameter by turning the info button.
7. After changing all desired parameters, turn the info button until the menu item "exit" is displayed.
8. Press the info button.
The menu is exited.

Transport

⚠ DANGER

Driving on slopes

Danger of injury

Observe the maximum permissible gradient when driving the device on gradients for loading and unloading purposes (see chapter "Technical data").

Drive slowly.

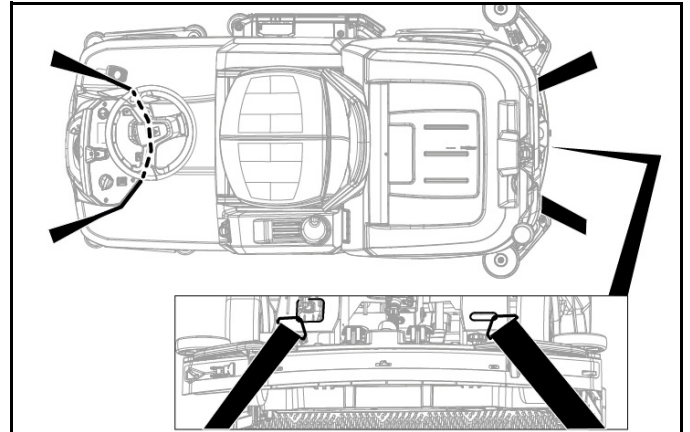
⚠ CAUTION

Failure to observe the weight

Risk of injury and damage

Be aware of the weight of the device during transportation.

1. With the D cleaning head installed, remove the disc brushes from the brush head.
2. When transporting in vehicles, secure the device against slipping and tipping over according to the applicable guidelines.



Storage

⚠ CAUTION

Risk of injury or damage due to non-observance of the weight

Be aware of the weight of the device during storage.

ATTENTION

Frost

Destruction of the device through freezing water

Drain all water from the device.

Store the device in a frost-free location.

- This device may only be stored indoors.
- Fully charge the batteries before storing them for a long period.
- Fully charge the batteries at least every month during storage.

Care and service

⚠ DANGER

Inadvertently starting up device

Risk of injury, electric shock

Turn the program switch to the "OFF" position.

Remove the Intelligent Key prior to all work on the device.

Pull out the charger mains plug.

Unplug the battery connector.

- Drain and dispose of the waste water and fresh water.

Maintenance intervals

After each operation

ATTENTION

Improper cleaning

Risk of damage.

Do not spray the device with water.

Do not use aggressive cleaning agents.

A detailed description of the individual maintenance work is provided in the chapter "Maintenance Work".

- Drain the waste water.
- Rinse the waste water tank with clear water.
- Clean the coarse dirt sieve.
- Only with R cleaning head: Remove the coarse dirt container and empty it.
- Clean the exterior of the device using a damp cloth, wetted with a mild washing lye.
- Check the suction lips, check for wear and tear and replace if necessary.
- Clean the squeegee blades, check for wear and tear and replace if necessary.
- Clean the brushes, check for wear and tear and replace if necessary.
- Charge the battery.

Lead-acid battery:

- If the charging state of the battery is below 50%, charge the battery fully and without interruption.
- If the charging state of the battery is above 50%, only recharge the battery if the entire operating duration will be required when next used.

Li-Ion battery:

- Recharge as necessary.

Weekly

- When used regularly, charge the battery fully and without interruption at least once a week.

Monthly

A detailed description of the individual maintenance work is provided in the chapter "Maintenance Work".

- If the device is temporarily shut down: Perform equalization charging of the battery.
- Check battery poles for oxidation, brush off if necessary. Make sure the connection cables are firmly in place.
- Clean the seals between the waste water tank and the cover, check for leaks and replace if necessary.
- Drain the fresh water tank and flush out deposits.
- Clean the fresh water filter.
- Check the acid density of the cells if the batteries are not maintenance-free.
- Only with R cleaning head: Clean the brush tunnel.
- Only with R cleaning head: Clean the water distribution strip on the cleaning head.
- For a longer downtime, shut down the device when the battery is fully charged. Fully charge the battery at least once a month.

Annually

- Have the prescribed inspection performed by Customer Service.

Safety inspection/maintenance contract

You can agree on regular safety inspections or close a maintenance contract with your dealer. Please seek advice on this.

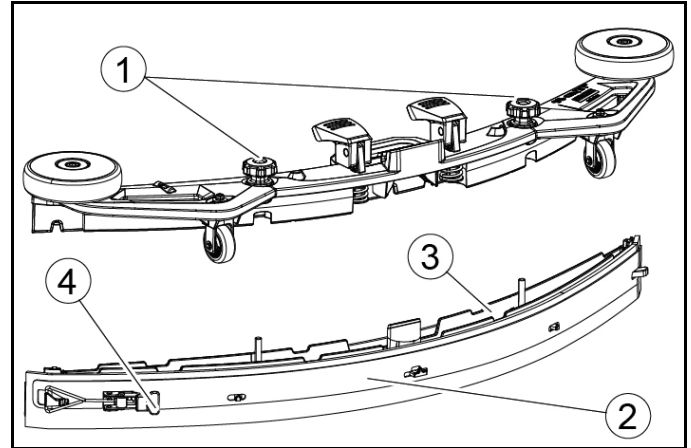
Maintenance work

Turn or replace suction lips

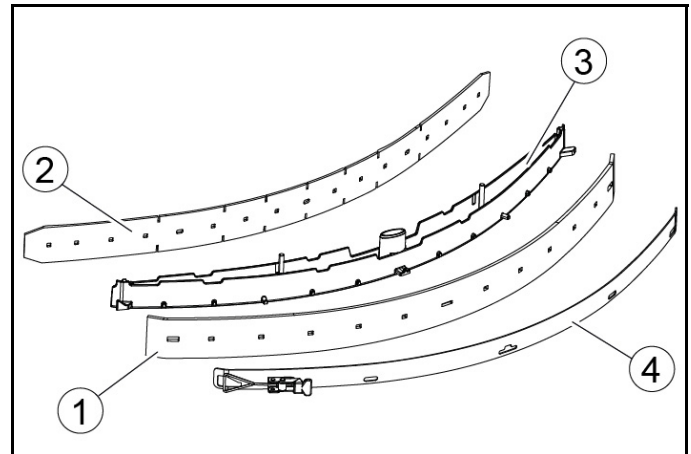
If the suction lips are worn, they must be turned over or replaced.

The suction lips can be turned 3 times until all 4 edges are worn.

1. Remove the suction bar.
2. Unscrew the star handles.



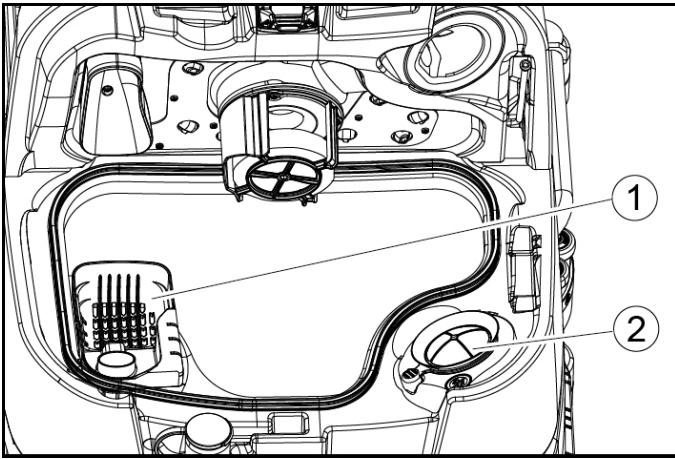
- ① Star grip
- ② Tension band
- ③ Inner part suction bar
- ④ Tension lock
3. Pull out the inner part of the suction bar.
4. Open the tension lock.
5. Remove the tension band.
6. Detach the suction lips from the inner part.



- ① Squeegee blade
- ② Support lip
- ③ Inner part suction bar
- ④ Tension band
7. Press the turned or new suction lips onto the nubs of the inner part of the suction bar.
8. Attach the tension band.
9. Push the inner part of the suction bar into the upper part.
10. Screw in and tighten the star handles.

Cleaning the coarse dirt sieve

1. Open the waste water tank cover.

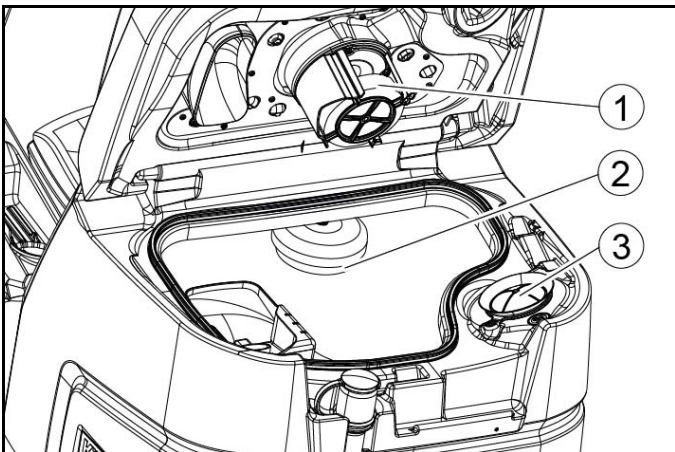


- ① Coarse dirt sieve
- ② Fluff filter

2. Pull the coarse dirt sieve upwards and off.
3. Rinse off the coarse dirt sieve under running water.
4. Reinsert the coarse dirt sieve into the waste water tank.

Clean the float and fluff filter

1. Open the waste water tank cover.



- ① Float
- ② Float switch
- ③ Fluff filter

2. Rinse the float with clear water.
3. Rinse the float switch with clear water.
4. Remove and clean the fluff filter.

Replacing the disc brush

Note

Replace the disc brushes when the bristle length has reached 10 mm.

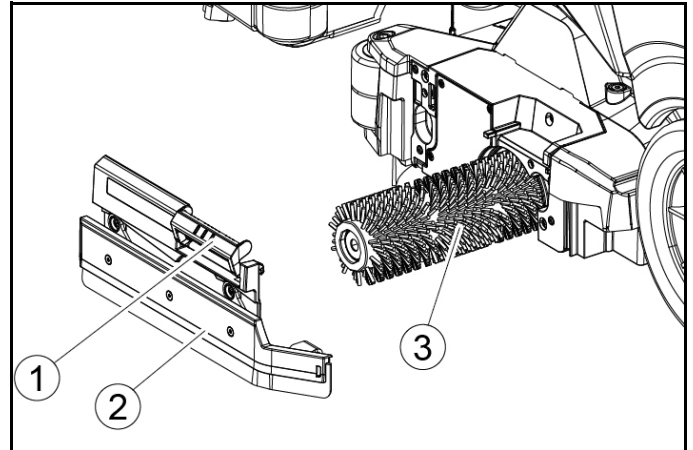
1. Raise the cleaning head.
2. Push the brush replacement pedal downwards.
3. Pull the disc brush sideways and out from underneath the cleaning head.
4. Hold the new disc brush under the cleaning head, then press upwards and latch it into position.

Replace roller brushes

Note

Replace the roller brushes when the bristle length has reached 10 mm.

1. Lift the cleaning head.
2. Pull out the brush replacement handle.



- ① Brush replacement handle
 - ② Bearing cover with squeegee blade
 - ③ Roller brush
3. Remove the bearing cover together with the squeegee blade.
 4. Pull out the roller brush.
 5. Insert the new roller brush and center it on the driver.

- ① Driver
- ② Locating mandrel

6. Fit the bearing cover with squeegee blade.

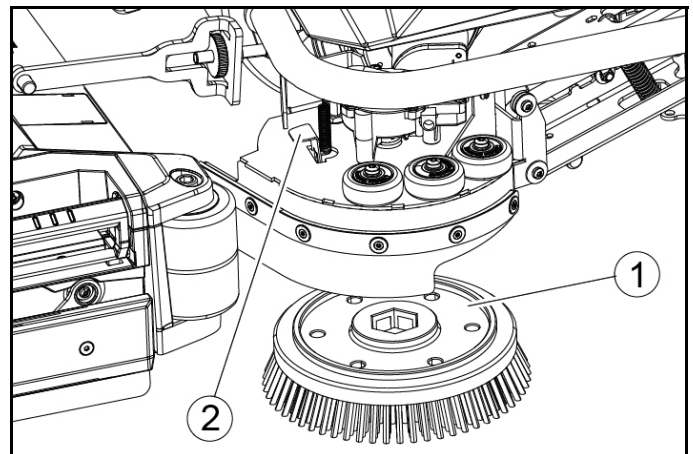
Note

Make sure the roller brush is on the locating mandrel and not underneath.

7. Swing the brush replacement handle up and engage.
8. Repeat the procedure on the opposite side.

Replacing the side scrubbing deck brush (option)

1. Press the brush replacement lever downwards.



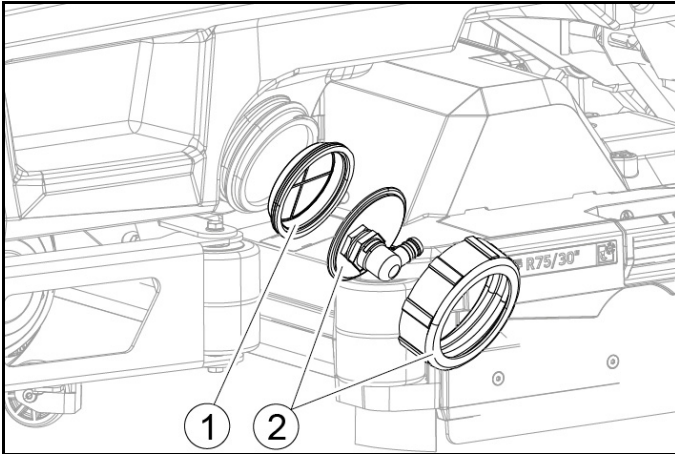
- ① Side scrubbing deck brush
- ② Brush replacement lever

The brush falls out of the holder.

2. Hold the new brush under the side scrubbing deck, then press upwards and latch it into position.

Cleaning the fresh water filter

1. Drain the fresh water (see chapter "Draining fresh water").
2. Unscrew the fresh water tank lock.

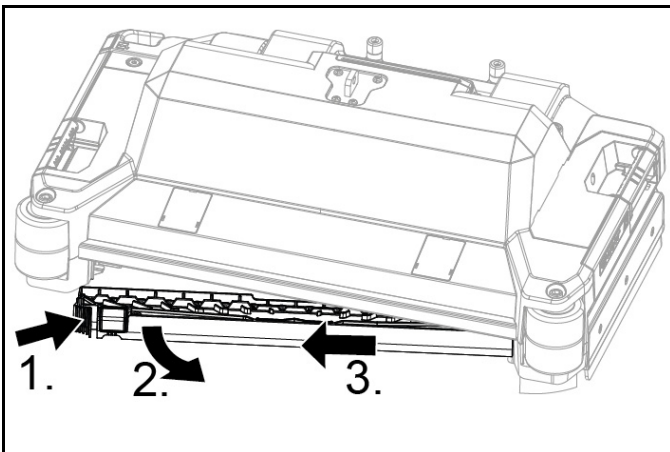


- ① Fresh water filter
- ② Fresh water tank lock
3. Pull out the fresh water filter and rinse with clean water.
4. Insert the fresh water filter.
5. Fit the fresh water tank lock.

Note: Ensure that the hose connection in the fresh water tank lock lies at the lowest point after screwing tight.

Cleaning the water distribution strip

1. Press the latch in the direction of the arrow and hold it there.



2. Pivot the water distribution strip forwards.
3. Pull out the water distribution strip longitudinally.
4. Clean the water distribution strip.
5. Fit the water distribution strip back into the cleaning head and snap the lock into place.

Cleaning batteries

1. Wear safety goggles, protective clothing and protective gloves.
2. Keep the battery cell plugs closed.
3. Remove the batteries.
4. Clean the plastic parts of the batteries and the battery compartment using only water or water-soaked cleaning cloths without additives.
5. Dry the surfaces after cleaning.
6. Reinstall the batteries.

Resetting the maintenance counter

If maintenance work shown in the display has been carried out, the corresponding maintenance counter must then be reset.

Note

Resetting of the maintenance counter is described in the chapter "Gray Intelligent Key".

Troubleshooting guide

⚠ DANGER

The device can start unintentionally

People working on the device can be injured. Remove the Intelligent Key prior to all work on the device. Pull the mains plug of the internal charger out of the socket before performing any work. Disconnect the battery connector before performing any work.

1. Drain the waste water.
2. Drain the remaining fresh water.

Note

If the fault cannot be remedied with the following information, notify customer service.

Malfunctions with information shown on the display

If the displayed fault is not in the following list, carry out the following steps:

1. Turn the program switch to "OFF".
2. Wait 10 seconds.
3. Set the program switch to the previous function.
4. If the fault persists, notify customer service.

Malfunction	Rectification
fresh water empty	1. Refill the fresh water tank
water valve blocked	1. Set the program switch to "OFF". 2. Wait 10 seconds. 3. Set the program switch to the desired program.
overload brush head	1. Reduce the contact pressure of the brushes.
blocked main brush	1. Check whether a foreign object is blocking the brushes, remove the foreign object if necessary. 2. Set the program switch to "OFF". 3. Wait 10 seconds. 4. Set the program switch to the desired program.
overload side brush	1. Reduce the contact pressure of the side scrub deck brush.

Malfunction	Rectification
blocked side brush	<ol style="list-style-type: none"> 1. Check whether a foreign object is blocking the brush, remove the foreign object if necessary. 2. Set the program switch to "OFF". 3. Wait 10 seconds. 4. Set the program switch to the desired program.
waste water tank full	<ol style="list-style-type: none"> 1. Empty the waste water tank.
overload drive motor	<ol style="list-style-type: none"> 1. The slope is too steep. <ol style="list-style-type: none"> a For cleaning operation: Cancel cleaning. b For transport travel: Find a path with a lower gradient.
blocked drive motor	<ol style="list-style-type: none"> 1. Check the wheels for blockage, remove foreign bodies. 2. Set the program switch to "OFF". 3. If the engine is overheated, allow it to cool down for at least 15 minutes, otherwise wait 10 seconds. 4. Set the program switch to the desired program.
battery low	<ol style="list-style-type: none"> 1. Set the program selector switch to TRANSPORT MODE. 2. Drive the device directly to the charger (or to the socket in the case of an internal charger). Avoid inclines. 3. Charge the battery.
battery empty	<ol style="list-style-type: none"> 1. Set the program selector switch to TRANSPORT MODE. 2. Drive the device to the charger (or in the case of an internal charger, to the socket) by the shortest route. Avoid inclines. 3. Charge the battery.
seat switch open	<ol style="list-style-type: none"> 1. Briefly relieve the driver's seat so that the control can check the function of the seat contact switch.
switch on!	<ol style="list-style-type: none"> 1. Set the safety button to "1".
restart machine	<ol style="list-style-type: none"> 1. Set the program switch to "OFF". 2. Wait 10 seconds. 3. Set the program switch to the desired program.
release throttle	<ol style="list-style-type: none"> 1. Release the accelerator pedal.

Faults not shown in the display

Malfunction	Rectification
The device cannot be started	<ol style="list-style-type: none"> 1. Sit in the driver's seat. 2. Take your foot off the accelerator before switching on the safety button. 3. Turn the safety button to "1". 4. Check the battery and charge if necessary. 5. Set the program switch to "OFF". 6. Wait 10 seconds. 7. Set the program switch to the desired program. 8. If possible, only drive the device on level ground. 9. Check the parking brake if necessary. If the fault still occurs, call Customer Service.
The device no longer moves, display shows "battery empty"	<ol style="list-style-type: none"> 1. Set the program switch to "OFF". 2. Wait 10 seconds. 3. Set the program switch to "TRANSPORT MODE". 4. Drive to the charging station. 5. If the device still does not move, charge the battery on site or unlock the brake (see "Operation/Pushing the Device") and push the device to the charging station.
The device moves unevenly (jerks) when starting and stopping.	<ol style="list-style-type: none"> 1. Reverse the brake release (see "Operation/Pushing the device").
The fresh water display shows the wrong filling level after manual tank emptying	<ol style="list-style-type: none"> 1. Use device. During operation, the hose system vents and the filling level display corrects itself.
The bar of the filling level display flashes, display "fresh water empty"	<ol style="list-style-type: none"> 1. Refill the fresh water tank.

Malfunction	Rectification
The water volume is insufficient	<ol style="list-style-type: none"> 1. Check the fresh water filling level, if necessary fill the tank completely so that the air is pressed out. 2. Remove and clean the fresh water filter. 3. Insert the filter and screw on the cap. 4. Only with R cleaning head: Pull off the water distribution strip on the cleaning head. 5. Only with R cleaning head: Clean the water channel. 6. Check the hoses for clogging and clean if necessary.
The suction performance is too low	<ol style="list-style-type: none"> 1. Clean the seals between the waste water tank and the cover, check for leaks and replace if necessary. 2. Check the fluff filter for contamination and clean if necessary. 3. Clean the suction lips at the suction bar, turn over or replace if necessary. 4. Close the lid on the waste water drain hose. 5. Close the cover of the waste water tank rinsing system. 6. Check the suction hose for clogging and clean if necessary. 7. Check the suction hose for leaks and replace if necessary. 8. Check the adjustment of the suction bar.
The cleaning results are unsatisfactory	<ol style="list-style-type: none"> 1. Set the appropriate cleaning program for the cleaning task. 2. Use suitable brushes for the cleaning task. 3. Use a suitable detergent for the cleaning task. 4. Reduce the driving speed. 5. Adjust the contact pressure. 6. Adjust the squeegee blades. 7. Check the brushes for wear and tear and replace if necessary. 8. Check the water output.
The brushes do not rotate	<ol style="list-style-type: none"> 1. Reduce the contact pressure. 2. Check if the brushes are blocked by a foreign body and remove the foreign body if necessary. 3. If the motor is overloaded, let the motor cool down. 4. Set the program switch to "OFF". 5. Wait 10 seconds. 6. Set the program switch to the desired program. 7. Check that the plug of the device is plugged into the cleaning head.
The device does not brake	<ol style="list-style-type: none"> 1. Undo the brake lock (see "Operation / Pushing the device").
The waste water drain hose is clogged	<ol style="list-style-type: none"> 1. Open the dosing unit cover at the drain hose. 2. Pull the suction hose off the suction bar and close it by hand. 3. Set the program switch to "Vacuum". The blockage is sucked out of the drain hose into the waste water tank.
The "Dose" detergent dosing unit does not work	<ol style="list-style-type: none"> 1. "Dose" version only: Call Customer Service.

Technical data

		B 110 R 65	B 110 D 65	B 110 R 75	B 110 D 75
General					
Driving / cleaning speed	km/h	6	6	6	6
Transport speed	km/h	6	6	6	6
Travel speed, backwards	km/h	4	4	4	4
Theoretical surface performance	ft ² /h (m ² /h)	41979 (3900)	41979 (3500)	48438 (4500)	48438 (4500)
Theoretical surface coverage with side scrubbing deck	ft ² /h (m ² /h)	-	-	54896 (5100)	54896 (5100)
Practical surface coverage	ft ² /h (m ² /h)	29385 (2730)	29385 (2730)	33906 (3150)	33906 (3150)
Fresh water tank volume	gal (l)	29 (110)	29 (110)	29 (110)	29 (110)
Waste water tank volume	gal (l)	29 (110)	29 (110)	29 (110)	29 (110)
Coarse dirt container volume	gal (l)	0,4 (1,6)	-	0,5 (1,8)	-
Volume of detergent tank (Dose option)	gal (l)	1,3 (5)	1,3 (5)	1,3 (5)	1,3 (5)
Detergent dosing unit	%	0,25...3	0,25...3	0,25...3	0,25...3
Water dosing	gpm (l/min)	0,04...1,5 (0,15...5,7)	0,04...1,5 (0,15...5,7)	0,04...1,5 (0,15...5,7)	0,04...1,5 (0,5...5,7)
Load per unit area (with driver and full fresh water tank)					
Surface pressure	N/mm ²	0,62...0,66	0,62...0,66	0,62...0,66	0,62...0,66
Area load (weight / parking area)	kg/m ²	470...542	470...524	470...542	470...542
Dimensions					
Length	ft (mm)	5,38 (1640)	5,38 (1640)	5,38 (1640)	5,38 (1640)
Width	ft (mm)	2,43 (740)	2,43 (740)	2,43 (740)	2,43 (740)
Suction bars width	ft (mm)	3,12 (950)	3,12 (950)	3,12 (950)	3,12 (950)
Height	ft (mm)	4,30 (1310)	4,30 (1310)	4,30 (1310)	4,30 (1310)
Working width	ft (mm)	2,13 (650)	2,13 (650)	2,46 (750)	2,46 (750)
Working width with side scrubbing deck	ft (mm)	-	-	2,79 (850)	2,79 (850)
Packaging dimensions lwxwxh	ft (mm)	5,74x3,25x4,84 (1750x990x1475)	5,74x3,25x4,84 (1750x990x1475)	5,74x3,25x4,84 (1750x990x1475)	5,74x3,25x4,84 (1750x990x1475)
Turning circle	ft (mm)	5,74 (1750)	5,74 (1750)	5,74 (1750)	5,74 (1750)
Battery compartment dimensions lwxwxh	ft (mm)	2x(1,03x1,27x1,23) (2x(315x386x375))	2x(1,03x1,27x1,23) (2x(315x386x375))	2x(1,03x1,27x1,23) (2x(315x386x375))	2x(1,03x1,27x1,23) (2x(315x386x375))
Tires					
Front wheel, width	ft (mm)	0,30 (90)	0,30 (90)	0,30 (90)	0,30 (90)
Front wheel, diameter	ft (mm)	0,82 (250)	0,82 (250)	0,82 (250)	0,82 (250)
Rear wheel, width	ft (mm)	0,25 (75)	0,25 (75)	0,25 (75)	0,25 (75)
Rear wheel, diameter	ft (mm)	0,95 (290)	0,95 (290)	0,95 (290)	0,95 (290)
Weight					
Approved total weight	lbs (kg)	1433 (650)	1433 (650)	1433 (650)	1433 (650)
Net weight (transport weight)	lbs (kg)	1058 (480)	1058 (480)	1058 (480)	1058 (480)
Typical operating weight	lbs (kg)	1190 (540)	1190 (540)	1190 (540)	1190 (540)
Brush contact pressure, max.	N (kg)	736 (75)	736 (75)	736 (75)	736 (75)
Brush contact pressure, max.	N / m ² (g / cm ²)	581 (570)	51 (50)	510 (500)	41 (40)
Device performance data					
Nominal voltage	V	24	24	24	24
Battery capacity	Ah (5 h)	170 / 285	170 / 285	170 / 285	170 / 285
Mean power input	hp (W)	3,15 (2350)	3,15 (2350)	3,15 (2350)	3,15 (2350)
Nominal power	hp (W)	3,35 (2500)	3,35 (2500)	3,35 (2500)	3,35 (2500)
Engine power	hp (W)	0,80 (600)	0,80 (600)	0,80 (600)	0,80 (600)
Suction turbine power	hp (W)	0,80 (600)	0,80 (600)	0,80 (600)	0,80 (600)
Brush drive power	hp (W)	2 x 0,80 (2 x 600)	2 x 0,80 (2 x 600)	2 x 0,80 (2 x 600)	2 x 0,80 (2 x 600)
Protection class		IPX3	IPX3	IPX3	IPX3
Suctioning					
Suction performance, air quantity	CFM (l/s)	~53 (~25)	~53 (~25)	~53 (~25)	~53 (~25)
Vacuum (max.)	psi (bar)	~2,47 (~0,17)	~2,47 (~0,17)	~2,47 (~0,17)	~2,47 (~0,17)
Vacuum (in operation)	psi (bar)	~0,73 (~0,05)	~0,73 (~0,05)	~0,73 (~0,05)	~0,73 (~0,05)
Cleaning brushes					
Brush diameter	ft (mm)	0,33 (100)	1,16 (355)	0,33 (100)	1,26 (385)
Brush length	ft (mm)	1,98 (605)	-	2,31 (705)	-
Brush speed	1/min	1200	180	1200	180
Side scrubbing deck brush diameter	ft (mm)	-	-	0,72 (220)	0,72 (220)
Side scrubbing deck brush speed	1/min	-	-	220	220
Internes Schnellladegerät (Nur Lithium-Ionen-Variante)					
Nominal voltage	V	100...240	100...240	100...240	100...240
Frequency	Hz	50-60	50-60	50-60	50-60
Power input	hp (W)	1,75 (1100)	1,75 (1100)	1,48 (1100)	1,75(1100)
Charging current	A	35	35	35	35

		B 110 R 65	B 110 D 65	B 110 R 75	B 110 D 75
Internal charger					
Cable length	ft (m)	6,5 (2)	6,5 (2)	6,5 (2)	6,5 (2)
Nominal voltage	V	100...240	100...240	100...240	100...240
Frequency	Hz	50-60	50-60	50-60	50-60
Power input	hp (W)	1 (750)	1 (750)	1 (750)	1 (750)
Charging current	A	28	28	28	28
Degree of efficiency	%	92	92	92	92
Ambient conditions					
Permissible temperature range	°F (°C)	41...104 (5...40)	41...104 (5...40)	41...104 (5...40)	41...104 (5...40)
Water temperature max.	°F (°C)	122 (50)	122 (50)	122 (50)	122 (50)
Filling system water pressure (Option)	psi (bar)	145 (10)	145 (10)	145 (10)	145 (10)
Waste water tank flushing system water pressure (option)	psi (bar)	145 (10)	145 (10)	145 (10)	145 (10)
Relative humidity	%	20...90	20...90	20...90	20...90
Incline					
Max. working area slope	%	10	10	10	10
Short distance incline (max. 10 m) transport, loading	%	22	22	22	22
Determined values in acc. with EN 60335-2-72					
Hand-arm vibration value	m/s ²	<2,5	<2,5	<2,5	<2,5
Seat vibration value	m/s ²	<0,5	<0,5	<0,5	<0,5
Uncertainty K	dB(A)	0,2	0,2	0,2	0,2
Sound pressure level L _{pA} eco operation	dB(A)	59,2	59,2	59,2	59,2
Sound pressure level L _{pA} normal operation	dB(A)	63,6	63,6	63,6	63,6
Uncertainty K _{pA}	dB(A)	1,6	1,6	1,6	1,6
Sound power level L _{WA} + Uncertainty K _{WA} eco operation	dB(A)	74,1	74,1	74,1	74,1
Sound power level L _{WA} + Uncertainty K _{WA} normal operation	dB(A)	78,7	78,7	78,7	78,7
Side scrubbing deck					
Power	hp (W)	-	-	0,19 (140)	0,19 (140)
Brush contact pressure, max.	N (kg)	-	-	88 (9)	88 (9)
Brush contact pressure, max.	N / m ² (g / cm ²)	-	-	30,6 (30)	30,6 (30)

Subject to technical changes without notice.

Accessories and spare parts

Only use original accessories and original spare parts. They ensure that the appliance will run fault-free and safely.

Information on accessories and spare parts can be found at www.kaercher.com.

Accessories, cleaning head with roller brushes

A: Packaging unit, B: Number required by the device

Designation	R 65 Part no.	R 75 Part no.	Description	A	B
Roller brush, red (medium, standard)	4.035-604.0	4.035-605.0	For maintenance cleaning of even heavily soiled floors.	1	2
Roller brush, white (soft)	6.907-770.0	6.907-771.0	For polishing and maintenance cleaning of sensitive floors.	1	2
Roller brush, orange (high/low)	6.907-726.0	6.907-730.0	For scrubbing textured floors (safety tiles, etc.).	1	2
Roller brush, green (hard)	6.907-727.0	6.907-731.0	For basic cleaning of heavily soiled floors and for	1	2
Roller brush, black (very hard)	6.907-728.0	6.907-732.0	decoating (e.g. waxes, acrylics).	1	2
Microfiber roller	4.114-054.0	4.114-007.0	For maintenance cleaning of smooth floors.	1	2
Pad roller shaft	4.762-626.0	4.762-627.0	To accommodate roller pads.	1	2
Roller pad, yellow (soft)	6.369-454.0	6.369-454.0	For polishing floors	20	96; 106
Roller pad, red (medium)	6.369-456.0	6.369-456.0	For cleaning lightly soiled floors.	20	96; 106
Roller pad, green (hard)	6.369-455.0	6.369-455.0	For cleaning normally to heavily soiled floors.	20	96; 106

Accessories, cleaning head with disc brushes

A: Packaging unit, B: Number required by the device

Designation	D 65 Part no.	D 75 Part no.	Description	A	B
Disc brush, natural (soft)	4.905-012.0	4.905-020.0	For polishing floors.	1	2
Disc brush, white	4.905-011.0	4.905-019.0	For polishing and maintenance cleaning of sensitive floors.	1	2
Disc brush, red (medium, standard)	4.905-010.0	4.905-018.0	For cleaning slightly soiled or sensitive floors.	1	2
Disc brush, black (hard)	4.905-013.0	4.905-021.0	For cleaning heavily soiled floors.	1	2
Diamond pad fine, green	6.371-235.0	6.371-236.0	For refreshing lime-containing coverings and epoxy resin-coated floors.	5	2
Diamond pad coarse, white	6.371-250.0	6.371-252.0		5	2
Diamond pad medium, yellow	6.371-251.0	6.371-253.0		5	2
Pad drive board	4.762-446.0	4.762-447.0	For holding pads.	1	2

Accessories, suction bar

A: Packaging unit, B: Number required by the device

Designation	Part no.	Description	A	B
Suction lip set, front PU (red), rear Linatex	4.039-366.0	Standard	Pair	1 pair
Suction lip set, Linatex	4.039-356.0	tear-proof	Pair	1 pair
Suction lip set, PU	4.039-357.0	oil-proof	Pair	1 pair

Warranty

The warranty conditions issued by our relevant sales company apply in all countries. We shall remedy possible malfunctions on your appliance within the warranty period free of cost, provided that a material or manufacturing flaw is the cause. In a warranty case, please contact your dealer (with the purchase receipt) or the next authorised customer service site.

(See overleaf for the address)

Further warranty information (if available) can be found in the service area of your local Kärcher website under "Downloads".

Contenu

CONSIGNES DE SECURITE IMPORTANTES	28
QUALIFICATION DES UTILISATEURS	29
FORMATION DES UTILISATEURS	29
TESTS, FORMATION DE RECLASSEMENT ET APPLI- CATION	30
RÈGLES DE SÉCURITÉ ET PRATIQUES RELATIVES À L'UTILISATION	30
PROCÉDURES DE MAINTENANCE ET DE REMISE EN ÉTAT	32
NORMES DE SÉCURITÉ INCENDIE	32
Service à la clientèle	33
Consignes de sécurité	34
Fonction	35
Utilisation conforme	35
Protection de l'environnement	35
Étendue de livraison	35
Description de l'appareil	36
Montage	38
Mise en service	40
Fonctionnement	41
Terminer l'utilisation	44
Clé intelligente grise	45
Transport	46
Stockage	47
Entretien et maintenance	47
Dépannage en cas de défaut	49
Caractéristiques techniques	52
Accessoires et pièces de rechange	53
Garantie	54

CONSIGNES DE SECURITE IMPORTANTES

Veuillez observer les mesures de prudence fondamentales, y compris les suivantes lors de l'utilisation de l'appareil :

LIRE TOUTES LES INSTRUCTIONS AVANT L'UTILISATION DE CETTE MACHINE

⚠ AVERTISSEMENT

- Risque d'électrocution, d'incendie et de brûlures
- Ne pas laisser l'appareil sans surveillance lorsque la fiche est branchée.
- Débrancher l'appareil lorsqu'il n'est pas utilisé et avant de procéder à l'entretien.
- Utilisez l'appareil uniquement en intérieur.
- L'appareil n'est pas un jouet. Une prudence particulière est de mise lorsque vous utilisez l'appareil en présence d'enfants.
- Respecter impérativement les consignes d'utilisation de ce manuel.
N'utilisez que les accessoires recommandés par le fabricant
- Ne pas l'utiliser si le cordon de sortie ou la fiche du chargeur de batterie sont endommagés. Si l'appareil ne fonctionne pas correctement, est tombé, endommagé, a été laissé à l'extérieur ou est tombé dans l'eau, vous devez le faire vérifier par le service après-vente avant de l'utiliser.
- Ne tirez pas sur le câble de charge du chargeur et ne l'utilisez pas comme poignée lors du transport de l'appareil, ne coincez pas le câble de charge du chargeur dans une porte et ne le tirez pas sur des angles ou bords coupants. Ne guidez pas l'appareil avec le câble de charge

du chargeur. Tenez le câble de charge du chargeur éloigné de surfaces brûlantes.

- Ne débranchez pas l'appareil en tirant sur le câble de charge du chargeur de la prise de courant. Pour débrancher l'appareil du réseau électrique, tirez toujours sur la fiche.
- Ne touchez ni le chargeur ni l'appareil les mains humides.
- Ne branchez jamais d'objets dans les ouvertures de l'appareil. N'utilisez pas l'appareil lorsque les ouvertures sont bloquées. Tenez les ouvertures à l'abri de peluches, cheveux et de poussière ainsi que de tout ce qui entrave le flux d'air.
- Coupez l'appareil avant de débrancher la fiche secteur.
- Tenez cheveux, vêtements amples, vos doigts et parties corporelles éloignés des ouvertures et des pièces mobiles.
- Prudence lors de l'utilisation de l'appareil dans des escaliers.
- N'utilisez pas l'appareil pour aspirer des liquides combustibles ou inflammables, tels que de l'essence, et ne l'utilisez pas dans des zones susceptibles de contenir de tels produits.
- Branchez l'appareil uniquement sur une prise correctement reliée à la terre (voir chapitre *Instructions de mise à la terre*).

ATTENTION

- Le présent appareil est conforme à la section 15 des réglementations de la FCC et à la licence d'Industrie Canada, à l'exclusion de la norme RSS.

L'exploitation est autorisée aux deux conditions suivantes :

- 1 l'appareil ne doit pas produire de brouillage, et
- 2 l'utilisateur de l'appareil doit accepter tout brouillage radioélectrique subi, même si le brouillage est susceptible d'en compromettre le fonctionnement.

ATTENTION

- Tout changement ou toute modification apporté à cet équipement qui ne serait pas expressément approuvé par KÄRCHER pourrait annuler l'autorisation de la FCC d'exploiter cet équipement.

Remarque

- Cet appareil a été testé et déclaré conforme aux limites relatives aux dispositifs numériques de classe B, conformément à la section 15 des réglementations de la FCC.
- Ces limites sont destinées à assurer un niveau de protection adéquat contre les interférences dans les installations résidentielles.
- Cet équipement produit, utilise et peut émettre des fréquences radioélectriques et, s'il n'est pas installé ou utilisé conformément aux directives, peut brouiller les ondes radio.
- Toutefois, il est impossible de garantir qu'aucune interférence ne se produira dans une installation particulière.
- Si cet équipement brouille la réception des ondes radio et télévision, ce que vous pouvez déterminer en éteignant et en rallumant l'appareil, nous vous encourageons à prendre l'une ou plusieurs des mesures correctives suivantes :
 - Réorienter ou déplacer l'antenne de réception.
 - Augmenter l'écart entre l'équipement et le récepteur.
 - Connecter l'équipement à une prise ou à un circuit électrique différent de celui auquel est branché le récepteur.
 - Consultez votre revendeur ou un technicien radio/télé expérimenté si vous avez besoin d'aide.

CONSERVER CES INSTRUCTIONS

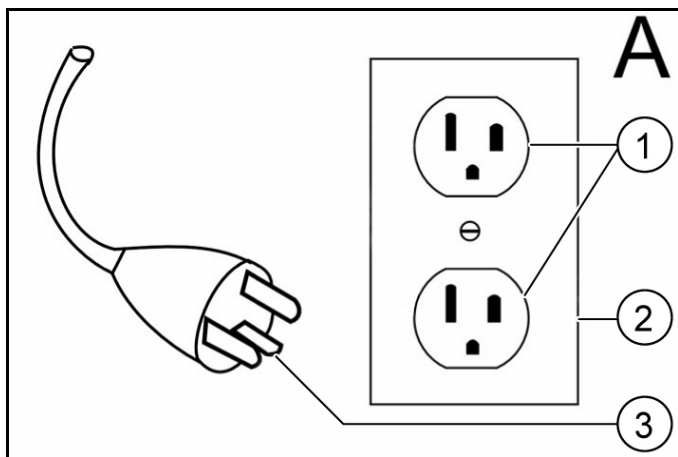
Instructions de mise à la terre

- Cet appareil doit être relié à la terre. En cas de défaut ou de panne, la liaison à la terre fournit une résistance moins forte au courant électrique pour réduire le risque d'électrocution.
- Cet appareil est équipé d'un câble de branchement au secteur avec conducteur de terre et fiche Schuko.
- La fiche doit être branchée dans une prise de courant adaptée installée et reliée à la terre conformément à toutes les prescriptions et ordonnances légales locales.

⚠ AVERTISSEMENT

- Un raccordement incorrect du conducteur de terre de l'appareil peut entraîner un risque d'électrocution.
- Contacter un électricien spécialisé ou un collaborateur du service après-vente en cas de doute sur la mise à la terre correcte de la prise de courant.
- Ne pas modifier la fiche fournie avec l'appareil.
- Si la fiche ne rentre pas dans la prise de courant, faire installer une prise de courant adaptée par un électricien spécialisé.
- Cet appareil a été conçu pour fonctionner à une tension nominale de 120 volts ; sa fiche de mise à la terre est similaire à celle illustrée à la figure A.
- Assurez-vous que la prise de courant utilisée est compatible avec la fiche secteur.
- N'utilisez pas d'adaptateur pour brancher cet appareil.

BRANCHER UNIQUEMENT SUR UNE PRISE CORRECTEMENT RELIÉE A LA TERRE



- ① Prise reliée à la terre
- ② Socle de prise de courant
- ③ Fiche de mise à la terre

QUALIFICATION DES UTILISATEURS

Seules les personnes formées et habilitées sont autorisées à utiliser les autolaveuses motorisées. Les utilisateurs de ces appareils doivent avoir les aptitudes visuelles et auditives ainsi que les capacités physiques et mentales requises pour utiliser cet équipement en toute sécurité.

FORMATION DES UTILISATEURS

Les personnes n'ayant pas été formées à l'utilisation des autolaveuses motorisées sont autorisées à se servir de ce type d'appareil uniquement dans le cadre de formations, et ce sous la surveillance d'un formateur. En outre, les formations doivent être effectuées dans des zones exemptes de tout obstacle, d'autres véhicules et de piétons.

Le programme de formation doit comprendre l'apprentissage du règlement et des conditions d'utilisation propres au site dans lequel les utilisateurs feront usage de l'autolaveuse ainsi qu'une initiation à l'emploi du modèle particulier d'autolaveuse qui sera utilisé. Le programme de formation sera proposé à tous les nouveaux utilisateurs, quelle que soit leur expérience antérieure.

Au cours de la formation, le stagiaire sera informé des points suivants :

- 1 Sa responsabilité principale est d'utiliser l'autolaveuse motorisée en toute sécurité, en respectant les instructions prescrites dans le cadre du programme de formation.
- 2 L'utilisation incorrecte d'une autolaveuse motorisée et le non-respect des mesures de sécurité peuvent provoquer : une mise en danger de l'utilisateur ou de tiers (blessures graves voire mortelles) ; l'endommagement de l'autolaveuse ou d'autres dégâts matériels.

Le programme de formation portera essentiellement sur l'utilisation correcte et en toute sécurité de l'appareil afin d'éviter toute blessure de l'utilisateur ou d'un tiers et de prévenir les dégâts matériels. Elle abordera en outre les aspects suivants :

- 1 Caractéristiques principales de l'autolaveuse ou des autolaveuses motorisées que le stagiaire utilisera :
 - caractéristiques de l'autolaveuse ou des autolaveuses motorisées, y compris les différences entre les autolaveuses motorisées employées sur le lieu de travail ;
 - similitudes et différences avec les automobiles ;
 - signification des données de plaque signalétique, des mises en garde et des instructions apposées sur l'autolaveuse motorisée ;
 - consignes d'utilisation et mises en garde du manuel d'utilisation de l'autolaveuse motorisée et instructions relatives aux inspections et opérations de maintenance incombant à l'utilisateur ;
 - type de force motrice et ses caractéristiques ;
 - méthode de conduite ;
 - méthode de freinage et ses caractéristiques ;
 - visibilité avant et arrière ;
 - caractéristiques de stabilité avec et sans chargement ainsi qu'avec et sans accessoires ;
 - emplacement des commandes, fonctions, instructions d'utilisation, identification des symboles ;
 - chargement de la batterie ;
 - carters et dispositifs de protection pour le type correspondant d'autolaveuse motorisée ;
 - autres caractéristiques du modèle particulier d'autolaveuse motorisée.
- 2 Environnement d'utilisation et son influence sur le fonctionnement de l'autolaveuse motorisée :
 - nature et état du sol ou du terrain, y compris les conditions temporaires ;
 - rampes et pentes ;
 - dispositif de chargement de la batterie ;

- allées étroites, portes, câbles aériens, tuyauterie et autres zones difficiles d'accès ;
 - zones dans lesquelles il est possible d'utiliser l'autolaveuse motorisée à proximité d'autres machines industrielles, véhicules ou piétons ;
 - utilisation et capacité des élévateurs ;
 - utilisation à proximité d'un bord de quai ou d'un terrain viabilisé ;
 - d'autres conditions d'utilisation et risques peuvent se présenter.
- 3 Utilisation de l'autolaveuse motorisée, notamment :
- contrôle minutieux avant la prise de poste et méthode appropriée pour la mise hors service d'une autolaveuse motorisée nécessitant des réparations ;
 - déplacement de l'appareil, virages ;
 - procédures relatives au stationnement et à l'arrêt ;
 - autres conditions d'utilisation particulières pour l'application spécifique.
- 4 Règles de sécurité et pratiques relatives à l'utilisation, notamment :
- dispositions relatives aux normes décrites dans la section « Règles de sécurité et pratiques relatives à l'utilisation » ; **RÈGLES DE SÉCURITÉ ET PRATIQUES RELATIVES À L'UTILISATION**
 - autres règles, réglementations ou pratiques précisées par l'employeur pour l'endroit où l'autolaveuse motorisée sera utilisée.
- 5 Exercices pratiques d'utilisation, notamment :
- si possible, une utilisation pratique des autolaveuses motorisées doit être effectuée dans une zone éloignée du personnel et de toute autre activité exercée sur le lieu de travail ;
 - cet exercice pratique sera réalisé sous la surveillance du formateur ;
 - il consistera en l'utilisation concrète de l'appareil ou en des simulations de toutes les tâches telles que les manœuvres, le déplacement, l'arrêt, le démarrage et autres commandes réalisées dans des conditions similaires à celles qui seront rencontrées lors de l'utilisation de l'autolaveuse motorisée.

TESTS, FORMATION DE RECLASSEMENT ET APPLICATION

- 1 Au cours de la formation, des tests pratiques et tests écrits et/ou oraux seront proposés par l'employeur pour évaluer les compétences et les connaissances du stagiaire et s'assurer qu'elles répondent aux exigences des normes. Les employeurs pourront déléguer ces tests à d'autres membres du personnel. Cependant ils en seront toujours responsables. Des archives pertinentes seront tenues.
- 2 Les utilisateurs devront suivre de nouvelles formations en cas d'introduction de nouveaux équipements ou de modifications des équipements existants, en cas de changement des conditions d'utilisation ou si leurs performances ne se révèlent pas satisfaisantes.
- 3 L'utilisateur est tenu pour responsable du respect des précautions de sécurité lors de l'utilisation de l'autolaveuse motorisée, conformément aux exigences des normes.

Remarque

Des informations sur les formations des utilisateurs sont disponibles auprès de sources variées, comme les fabricants d'autolaveuses motorisées, les organismes administratifs chargés de la sécurité des employés, les organisations professionnelles d'utilisateurs de machines industrielles, des organisations publiques et privées, ainsi que des spécialistes en matière de sécurité.

RÈGLES DE SÉCURITÉ ET PRATIQUES RELATIVES À L'UTILISATION

Responsabilité de l'utilisateur

L'utilisateur est responsable de l'utilisation en toute sécurité de l'appareil.

L'utilisateur devra mettre en œuvre des habitudes de travail fiables et être conscient des facteurs pouvant représenter des risques afin de prévenir toute mise en danger de sa propre personne, des tiers, de l'autolaveuse motorisée et de tout autre équipement.

Avant d'utiliser l'appareil, l'utilisateur devra avoir acquis une connaissance approfondie des fonctions et du fonctionnement de toutes les commandes et de tous les instruments.

Avant d'utiliser l'appareil, l'utilisateur devra avoir lu et s'être familiarisé avec le manuel d'utilisation de l'appareil en question. Il devra par ailleurs se conformer aux règles de sécurité et pratiques décrites dans les paragraphes suivants.

Avant d'utiliser quelque appareil que ce soit, l'utilisateur doit être conscient des éventuelles conditions d'utilisation inhabituelles pouvant nécessiter des précautions de sécurité supplémentaires ou la mise en œuvre d'instructions d'utilisation particulières.

Généralités

Avant d'utiliser l'autolaveuse motorisée :

- 1 se mettre en position de service ;
- 2 régler les commandes de direction en position neutre ;
- 3 activer le frein ;
- 4 mettre le commutateur sur ON.

Ne pas démarrer ou utiliser l'appareil, ni aucune de ses fonctions ou accessoires, à partir d'un autre endroit que celui réservé à l'utilisateur.

Garder les mains et les pieds à l'intérieur de l'espace réservé à l'utilisateur ou, le cas échéant, dans le logement de l'appareil prévu à cet effet.

Apprécier les limites de l'appareil et utiliser ce dernier en respectant les règles de sécurité de manière à ne pas blesser le personnel. Toujours protéger les piétons.

- 1 Ne pas diriger l'autolaveuse motorisée vers une personne se tenant devant un objet.
- 2 S'assurer qu'aucun individu ne se trouve dans la zone située à l'arrière de l'appareil avant de procéder à des manœuvres de changement de direction.
- 3 Être particulièrement attentif dans les croisements, à l'approche de portes et à tout autre endroit où des piétons risquent d'apparaître sur le parcours de l'autolaveuse motorisée.

Ne jamais autoriser des passagers sur les autolaveuses motorisées sauf lorsqu'un emplacement sécurisé a été prévu par le fabricant à cet effet.

Une autolaveuse motorisée est sous la surveillance de l'utilisateur lorsque ce dernier se trouve à moins de 7,6 mètres et que l'appareil ne quitte pas son champ de vision.

Une autolaveuse motorisée est considérée comme abandonnée lorsque l'utilisateur se trouve à plus de 7,6 mètres, même si l'appareil est toujours dans son champ de vision ou lorsqu'il quitte son poste et que l'appareil n'est plus dans son champ de vision.

Avant de quitter le poste de l'utilisateur :

- 1 arrêter l'appareil ;
- 2 régler les commandes de direction en position neutre ;
- 3 actionner le frein à main ;
- 4 éteindre le moteur ou arrêter toutes les commandes ;
- 5 si l'appareil doit stationner sur une pente, caler les roues.

Conserver une distance de sécurité avec les bords des rampes, des plateformes et de toutes les autres surfaces de travail du même type.

Lors du chargement et du déchargement des autolaveuses motorisées dans des camions ou remorques, les freins de ces derniers doivent être actionnés. En outre, installer des cales de roue ou tout autre dispositif de blocage mécanique similaire afin de prévenir les déplacements involontaires des camions ou des remorques.

Lors du chargement et du déchargement d'autolaveuses motorisées dans des semi-remorques non tractées, des supports peuvent s'avérer nécessaires pour éviter tout renversement ou basculement sur les côtés.

Faire particulièrement attention à ne pas entrer en contact avec des installations aériennes (dispositifs d'éclairage, câbles, tuyaux, extincteurs automatiques, etc.).

Signaler tout incident affectant des membres du personnel, des bâtiments ou du matériel au chef d'équipe ou conformément aux instructions reçues.

Ne pas ajouter d'accessoires à l'appareil ni le modifier de quelque manière que ce soit.

Ne pas stationner à un endroit où l'appareil risque d'entraîner les issues de secours, les cages d'escaliers ou les équipements de lutte contre l'incendie.

Conduite

Respecter le code de la route, y compris les limites de vitesse des chantiers. Dans des conditions de circulation normales, serrer à droite. Maintenir une distance de sécurité avec le véhicule qui précède, en fonction de la vitesse. Garder le contrôle de l'appareil en toutes circonstances. Céder la priorité aux piétons ainsi qu'aux véhicules d'urgence comme les ambulances et les camions de pompiers.

Ne pas dépasser de véhicule circulant dans la même direction au niveau des croisements, des angles morts ou tout autre endroit dangereux.

Ralentir et actionner le ou les avertisseur(s) sonore(s) aux croisements ou chaque fois que la visibilité est limitée.

Traverser les voies ferrées à angle droit lorsque c'est possible. Ne pas garer l'appareil à moins de 1,8 m de la voie ferrée ou du rail le plus proche.

Monter et descendre les côtes lentement et avec prudence. Si possible, éviter de tourner et faire particulièrement attention en côte et sur les rampes où il faut normalement se déplacer en ligne droite.

Veiller à conserver une vue bien dégagée du trajet à emprunter et être attentif à la circulation des autres véhicules, aux déplacements des membres du personnel, ainsi qu'aux espaces de dégagement.

Quelles que soient les conditions de circulation, conserver une vitesse permettant d'arrêter l'appareil en toute sécurité.

Lors du démarrage et de l'arrêt, ainsi que dans les virages et lors des changements de direction, effectuer les manœuvres sans à-coups afin de ne pas renverser le chargement et/ou l'autolaveuse motorisée.

Ne jamais adopter de conduite dangereuse (cascades, acrobaties, etc.).

Ralentir sur les sols mouillés et glissants.

Avant de déplacer l'appareil sur un pont de chargement ou un pont de liaison, s'assurer que celui-ci est correctement sécurisé. Avancer prudemment et lentement sur le pont de chargement ou pont de liaison. Ne jamais dépasser la charge maximale autorisée.

Ne jamais conduire l'autolaveuse motorisée sur un ascenseur, sauf autorisation expresse préalable. Dans ce cas, approcher lentement de l'ascenseur et entrer tout droit lorsque celui-ci est arrêté à niveau. Ensuite, placer les commandes de l'appareil en position neutre, couper le contact et serrer le frein de stationnement. Il est préférable que les membres du personnel éventuellement présents dans l'ascenseur en sortent avant l'entrée ou la sortie de l'autolaveuse motorisée.

Dans les virages, ralentir et adopter une vitesse de sécurité adaptée à l'environnement d'utilisation. Les virages doivent être abordés sans à-coups. Sauf lors de manœuvres à vitesse très réduite, tourner le volant de façon régulière et sans à-coups.

L'utilisation d'une autolaveuse motorisée nécessite des mesures de sécurité particulières, décrites ci-dessous.

- 1 L'utilisateur doit absolument ralentir suffisamment avant de procéder à des virages sous peine de renverser l'autolaveuse motorisée. Les phénomènes suivants indiquent que la vitesse d'un véhicule est trop élevée dans les virages :
 - Dérapages ;
 - basculement du véhicule ;
 - soulèvement des roues ;
 - nécessité de se retenir fermement au volant afin de ne pas glisser du siège.
- 2 Le risque de renversement latéral est accru dans les conditions suivantes (individuelles ou combinées) :
 - conduite sur une surface non plane ;
 - conduite à une vitesse trop élevée.
- 3 Le risque de basculement vers l'avant est accru dans les conditions suivantes (individuelles ou combinées) :
 - Si l'autolaveuse motorisée tombe d'un pont de chargement ou d'une rampe. Dans ce cas, l'utilisateur ne doit pas quitter l'autolaveuse. Il doit se cramponner fermement et s'éloigner du point d'impact.
 - Lorsque l'environnement constitue un danger important ou en cas de conditions d'utilisation inhabituelles. L'utilisateur peut alors recourir à des mesures de sécurité différentes ou supplémentaires et respecter des instructions d'utilisation adaptées aux conditions particulières.

Entretien de l'appareil par l'utilisateur

Au début de chaque prise de poste et avant chaque utilisation de l'autolaveuse motorisée, vérifier l'état de l'appareil, en inspectant tout particulièrement les éléments suivants :

- état des pneus
- sur les pneumatiques, vérifier la pression de gonflage
- fonctionnement de l'avertisseur et autres dispositifs de sécurité
- dispositifs d'éclairage
- batterie
- commandes
- systèmes d'élévation et de basculement
- chaînes et câbles
- interrupteurs de fin de course
- freins
- mécanisme de direction
- autres éléments ou dispositifs supplémentaires, conformément aux instructions de l'exploitant et/ou du fabricant.

Si le véhicule a besoin d'être réparé ou présente un risque quelconque, l'utilisateur doit le signaler immédiatement à son responsable et ne pas utiliser l'appareil avant résolution du problème.

Si, en cours d'utilisation, le véhicule s'avère dangereux de quelque façon que ce soit, signaler immédiatement le problème au responsable concerné et cesser l'utilisation de l'appareil avant résolution du problème.

Ne pas effectuer de réparations ou réglages à moins d'y être expressément autorisé.

Ne pas éclairer les batteries à l'aide d'un flamme vive pour vérifier le niveau d'électrolyte.

PROCÉDURES DE MAINTENANCE ET DE REMISE EN ÉTAT

L'utilisation de l'appareil peut devenir dangereuse si la maintenance est négligée ou si la remise en état ou les réglages nécessaires ne sont pas effectués en conformité avec les recommandations du fabricant. Par conséquent, il est nécessaire de prévoir des ateliers de maintenance, à l'intérieur ou l'extérieur des bâtiments, avec du personnel dûment formé, ainsi que d'établir des procédures détaillées.

Il est possible d'obtenir des guides des pièces détachées ainsi que des manuels de maintenance auprès du fabricant de l'autolaveuse.

Dans certains cas rares, non traités par ces manuels de référence, consulter directement le fabricant de l'autolaveuse motorisée. La maintenance et l'inspection de l'appareil doivent être effectuées conformément aux procédures suivantes :

- 1 Les intervalles prescrits pour la maintenance, la lubrification et l'inspection de l'appareil doivent être respectés ; se reporter aux recommandations du fabricant.
- 2 La maintenance, les réparations, les réglages et l'inspection de l'appareil doivent être confiés exclusivement à des personnes formées et habilitées et effectués conformément aux instructions du fabricant.

Soulever l'autolaveuse motorisée de manière stable et sécurisée lorsque cela est nécessaire pour une réparation ou une inspection. Le démontage de composants, tels que les masses d'équilibrage ou les montants, modifie le centre de gravité et risque de créer une instabilité de l'appareil.

Avant de procéder à l'inspection ou à la réparation d'une autolaveuse motorisée :

- 1 soulever les roues motrices du sol et débrancher la batterie. Utiliser des cales de roues ou autre procédé mécanique conçu pour assurer l'immobilisation de véhicules ;
- 2 bloquer le châssis avant toute intervention sur celui-ci ;
- 3 débrancher la batterie avant d'intervenir sur le système électrique ;
- 4 brancher le connecteur du chargeur exclusivement sur le connecteur de la batterie et jamais sur celui de l'appareil.

Le contrôle du fonctionnement de l'autolaveuse motorisée doit être effectué dans une zone autorisée et sécurisée.

- 1 Avant d'utiliser l'autolaveuse motorisée :
 - se mettre en position de service ;
 - activer le frein ;
 - régler les commandes de direction en position neutre ;
 - mettre le commutateur sur ON.
 - contrôler le fonctionnement des systèmes d'élévation et de basculement, la direction, l'avertisseur sonore et les freins.
- 2 Avant de quitter l'autolaveuse motorisée :
 - arrêter l'appareil ;
 - régler les commandes de direction en position neutre ;
 - actionner le frein à main ;
 - éteindre le moteur ou arrêter toutes les commandes ;
 - arrêter le circuit de commande ;
 - si l'appareil doit stationner sur une pente, caler les roues.

Éviter les risques d'incendie et s'assurer que les locaux sont dotés des équipements nécessaires pour la lutte contre l'incendie. Ne jamais éclairer les batteries à l'aide d'une flamme vive pour vérifier le niveau des liquides, en particulier celui de l'électrolyte. Ne jamais utiliser de bacs ouverts contenant du carburant ou des produits de nettoyage inflammables pour nettoyer les composants de l'autolaveuse motorisée.

Ventiler suffisamment la zone de travail, aérer pour évacuer les gaz d'échappement et veiller à ce que l'atelier soit toujours propre et sec.

Inspecter régulièrement les freins, les mécanismes de commande et de direction, les avertisseurs, les dispositifs d'éclairage, les régulateurs, les dispositifs de protection et de sécurité, les butées des axes d'articulation ainsi que les pièces du châssis et les maintenir en parfait état de marche pour qu'ils puissent être utilisés sans danger.

NORMES DE SÉCURITÉ INCENDIE

Tout appareil dont le fonctionnement représente un risque doit être mis hors service.

Les réparations ne doivent pas être effectuées dans les zones de classe I, II et III.

La batterie doit être débranchée avant toute réparation sur le système électrique d'une autolaveuse.

Température de service : Si la température d'un composant de l'autolaveuse motorisée dépasse la température de service normale et, par conséquent, devient source de danger, le véhicule doit être mis hors service et ne pas être réutilisé tant que la source de surchauffe n'a pas été réparée.

Prévention des incendies : L'autolaveuse motorisée doit être tenue propre et dans la mesure du possible, protégée des peluches, des déversements d'huile et de la graisse. L'utilisation de produits non inflammables est recommandée pour le nettoyage de l'autolaveuse motorisée. Les liquides inflammables dont le point d'ignition est égal ou supérieur à 37,8 °C (100 °F) ne sont pas autorisés.

Prendre les mesures appropriées concernant la toxicité, l'aération, et les risques d'incendie selon le produit ou solvant utilisé.

Visibilité de la plaque signalétique : Les données techniques figurant sur la plaque signalétique de l'appareil ne doivent pas être recouvertes de peinture et les informations d'identification doivent rester visibles.

Remplacement et chargement des batteries : Cette section concerne les batteries utilisées sur des véhicules électriques. Les deux types de batteries généralement utilisées sont les batteries au plomb et les batteries au feronickel. Elles contiennent des composants chimiques corrosifs (acides ou alcalins) et représentent donc un risque chimique. Lors du chargement, les batteries dégagent de l'hydrogène et de l'oxygène qui, dans certaines conditions peuvent se combiner pour former un mélange explosif. Le chargement des batteries doit être effectué dans des endroits désignés à cet effet, où aucune matière combustible ne doit être stockée.

Des équipements doivent être prévus pour :

- 1 rincer les déversements d'électrolyte ;
- 2 lutter contre l'incendie ;
- 3 protéger le matériel de chargement des endommagements par des véhicules et
- 4 pour assurer une ventilation suffisante afin d'évacuer les fumées produites par les batteries à gaz.

Lorsque des chargeurs embarqués sont utilisés, le chargement doit être effectué dans des endroits prévus à cet effet, en fonction des exigences électriques du chargeur et des équipements pour la lutte contre l'incendie.

Exception : Des dispositifs de rinçage ne sont pas nécessaires si le chargement est effectué sans retirer la batterie du véhicule.

Lors de la manipulation de concentrations d'acide supérieures à 50 % (densité au-delà de 1 400), une douche oculaire est indispensable.

Un transporteur, un palan suspendu ou autre équipement de manutention doit être prévu pour la manipulation des batteries. Les appareils de levage à chaîne doivent être équipés de conteneurs à chaînes de levage. Lorsque des appareils de levage manuels sont utilisés, les batteries ouvertes doivent être recouvertes d'une feuille de contreplaqué ou autre matériau non conducteur afin d'éviter les courts-circuits de la chaîne de manœuvre au niveau des pontets de connexion ou des bornes. Un palonnier correctement isolé doit être utilisé avec les palans suspendus. La capacité des batteries rechargées ou batteries neuves doit être égale ou supérieure à celle indiquée sur l'appareil. Installer les batteries rechargées correctement dans l'appareil.

Un vide-tourie ou un siphon devra être prévu dans les locaux où de l'acide en touries est utilisé. Lors de la dilution d'acide sulfurique concentré pour obtenir de l'électrolyte, l'acide doit TOUJOURS être ajouté à l'eau et non l'inverse. Les membres du personnel procédant à la maintenance des batteries doivent porter des vêtements de protection, tels que des verres protecteurs, des manches longues et des gants.

Exception : Le démontage et le remplacement des batteries ne nécessite pas l'utilisation de vêtements de protection.

Les installations électriques doivent être conformes au NFPA 70 (code national électrique américain) ainsi qu'aux règlements locaux.

Seules les personnes formées et habilitées sont autorisées à procéder au remplacement et au chargement des batteries.

L'autolaveuse motorisée doit être en position adéquate et les freins doivent être actionnés avant toute tentative de remplacement ou de chargement des batteries.

Lors du chargement des batteries, les capuchons d'évacuation doivent rester en place de façon à éviter toute projection d'électrolyte. Prendre soin de vérifier que les capuchons d'évacuation fonctionnent. Les caches (ou le compartiment) de batterie doivent être ouverts pour dissiper la chaleur et le gaz.

Il est interdit de fumer dans la zone dédiée au chargement des batteries.

Les mesures nécessaires doivent être prises pour éviter les flammes vives, les étincelles et les arcs électriques dans les zones de chargement des batteries.

Ne jamais poser des outils ou autres objets mécaniques sur des batteries ouvertes.

L'autolaveuse motorisée ne doit pas être utilisée dans les zones classées.

Service à la clientèle

Enregistrement

Pour obtenir une réponse à toute question ou de l'aide pour tout problème, votre appareil doit être enregistré. Vous pouvez enregistrer votre appareil sur **www.karcher-register.com** s'il est situé aux États-Unis, **sur www.karcher.com/ca** s'il est situé au Canada, ou sur **www.karcher.com/mx** s'il est situé au Mexique.

Garantie

Dans le cas d'une réclamation sous garantie, vous pouvez contacter le service à la clientèle. Veuillez utiliser les coordonnées ci-dessous pour les États-Unis, le Canada ou le Mexique. Vous DEVEZ fournir votre preuve d'achat pour déposer une réclamation sous garantie par courriel, téléphone ou fax.

Service à la clientèle — États-Unis

Vous pouvez contacter notre service à la clientèle par téléphone, au **1-800-537-4129**, ou par l'intermédiaire du site web **www.karcher-help.com**.

Service à la clientèle — Mexique

Vous pouvez contacter notre service à la clientèle par téléphone, au **01-800-024-13-13**, ou par l'intermédiaire du site web, sous **www.karcher.com/mx**.

Service à la clientèle — Canada

Vous pouvez contacter notre service à la clientèle par téléphone, au **1-800-465-4980**, ou par l'intermédiaire du site web, sous **www.karcher.com/ca/support**.

Étendue de la livraison

L'étendue de la livraison de l'appareil est indiquée sur l'emballage. Lors du déballage, vérifiez le contenu pour s'assurer qu'il ne manque rien. Si un accessoire est manquant ou en cas de dommage pendant l'expédition, veuillez en aviser le service à la clientèle aux coordonnées susmentionnées, par téléphone ou par l'intermédiaire du site Web.

Consignes de sécurité

Avant la première utilisation de l'appareil, veuillez lire et observer le présent manuel d'utilisation et la brochure de consignes de sécurité fournie pour les appareils de nettoyage à brosse n° 5.956-251.0 et agir en conséquence. L'appareil est autorisé pour un fonctionnement sur des surfaces d'une inclinaison limitée (voir le chapitre « Caractéristiques techniques »).

⚠ AVERTISSEMENT

L'appareil peut basculer

Risque de blessures

N'utilisez l'appareil que sur des surfaces ne dépassant pas l'inclinaison autorisée (voir le chapitre « Caractéristiques techniques »).

⚠ AVERTISSEMENT

Risque d'accident dû à une commande incorrecte

Des personnes peuvent être blessées.

Les opérateurs doivent être formés convenablement à l'usage de cet appareil.

Utilisez l'appareil uniquement si le capot et tous les couvercles sont fermés.

Dispositifs de sécurité

⚠ PRÉCAUTION

Dispositifs de sécurité manquants ou modifiés !

Les dispositifs de sécurité servent à vous protéger.

Ne pas contourner, enlever ou rendre inopérants les dispositifs de sécurité

Protection thermique

Pour une mise hors service immédiate de toutes les fonctions : mettre l'interrupteur de sécurité en position « 0 ».

- L'appareil freine fortement lorsque l'interrupteur de sécurité est désactivé.
- L'interrupteur de sécurité agit directement sur toutes les fonctions de l'appareil.

Interrupteur de siège

Si l'opérateur quitte le siège pendant le travail ou pendant la conduite, l'interrupteur du siège coupe le moteur de traction après une brève temporisation.

Symboles sur l'appareil



ATTENTION

Risque d'endommagement

L'eau provoque l'endommagement de la turbine d'aspiration.

Ne remplissez pas cette ouverture d'eau et ne l'éclaboussez pas.



⚠ PRÉCAUTION

Risque de brûlures

Les composants sur lesquels figure cette remarque chauffent pendant le fonctionnement.

Ne touchez pas les composants marqués ainsi.

Laissez ces composants refroidir avant de travailler sur l'appareil.



⚠ DANGER

Risque d'accident

Sur les pentes, il existe un risque accru de basculement à grande vitesse.

Conduisez lentement en descente.

Ne tournez pas en descente.

Lorsque vous conduisez vite, évitez de diriger de manière saccadée avec un grand angle de braquage.

Symboles d'avertissements

Respecter les avertissements suivants lors de la manipulation de batteries :

	Observer les remarques dans le manuel d'utilisation de la batterie et sur la batterie ainsi que dans ce manuel d'utilisation.
	Porter une protection oculaire.
	Tenir les enfants éloignés d'acides et de batteries.
	Risque d'explosion
	Le feu, les étincelles, les flammes nues et fumer sont interdits.
	Risque de brûlure chimique
	Premiers secours.
	Avertissement
	Élimination
	Ne pas jeter la batterie à la poubelle.

Niveaux de danger

DANGER

- Indique un danger immédiat qui peut entraîner de graves blessures corporelles ou la mort.

AVERTISSEMENT

- Indique une situation potentiellement dangereuse qui peut entraîner de graves blessures corporelles ou la mort.

PRÉCAUTION

- Indique une situation potentiellement dangereuse qui peut entraîner des blessures légères.

ATTENTION

- Indique une situation potentiellement dangereuse qui peut entraîner des dommages matériels.

Fonction

Cette autolaveuse est utilisée pour le nettoyage à l'eau ou le lustrage de sols plats.

L'appareil peut être adapté à chaque tâche de nettoyage en réglant la quantité d'eau et de détergent. Le dosage du détergent est adapté par ajout dans le réservoir ou par un dispositif de dosage (option « dose »).

L'arrosage de brosse dépend de la vitesse ou est constant, au choix.

La largeur de travail et la capacité des réservoirs d'eau douce et du bac d'eau sale (voir chapitre "Caractéristiques techniques") permettent un nettoyage efficace avec une longue durée d'utilisation.

L'appareil est équipé d'un entraînement de traction.

Remarque

L'appareil peut être équipé de différents accessoires en fonction des tâches de nettoyage souhaitées. Demandez notre catalogue ou visitez notre site internet www.kaercher.com.

Utilisation conforme

Cet appareil est conçu pour une utilisation professionnelle et industriels, p. ex. dans les hôtels, les écoles, les hôpitaux, les usines, les bureaux et les magasins de loueurs. Utilisez cet appareil uniquement suivant les indications dans cette notice d'utilisation.

- Utiliser l'appareil uniquement pour le nettoyage de sols plats résistants à l'humidité et au polissage.
- L'appareil est destiné à une utilisation à l'intérieur.
- La plage de températures d'utilisation est comprise entre +5 °C et +40 °C.
- L'appareil n'est pas adapté au nettoyage de sols gelés (p.ex. dans les chambres froides).
- L'appareil est conçu pour une hauteur d'eau maximale de 1 cm. Ne pas conduire dans une zone s'il existe un risque de dépassement de la hauteur d'eau maximale.
- Lors du recours aux chargeurs ou batteries, seuls les composants autorisés dans le manuel d'utilisation peuvent être utilisés. Si d'autres composants sont associés au chargeur et/ou à la batterie, il faut que le fournisseur de l'un et/ou de l'autre ait pris la responsabilité de confirmer l'utilisation de ces autres composants.
- L'appareil n'est pas conçu pour le nettoyage de voies de circulation publiques.

- L'appareil ne doit pas être utilisé sur des sols sensibles à la pression. Tenir compte de la charge surfacique admissible du sol. La charge surfacique causée par l'appareil est indiquée dans les caractéristiques techniques.
- L'appareil n'est pas adapté à une utilisation dans des environnements à risque d'explosion.
- L'appareil est autorisé pour un fonctionnement sur des surfaces d'une inclinaison maximale (voir le chapitre « Caractéristiques techniques »).

Protection de l'environnement



Les matériaux d'emballage sont recyclables. Veuillez éliminer les emballages dans le respect de l'environnement.



Les appareils électriques et électroniques contiennent des matériaux précieux recyclables et souvent des composants tels que des piles, batteries ou de l'huile représentant un danger potentiel pour la santé humaine et l'environnement, s'ils ne sont pas manipulés ou éliminés correctement. Ces composants sont cependant nécessaires pour le fonctionnement correct de l'appareil. Les appareils marqués par ce symbole ne doivent pas être jetés dans les ordures ménagères.

Remarques concernant les matières composantes (REACH)

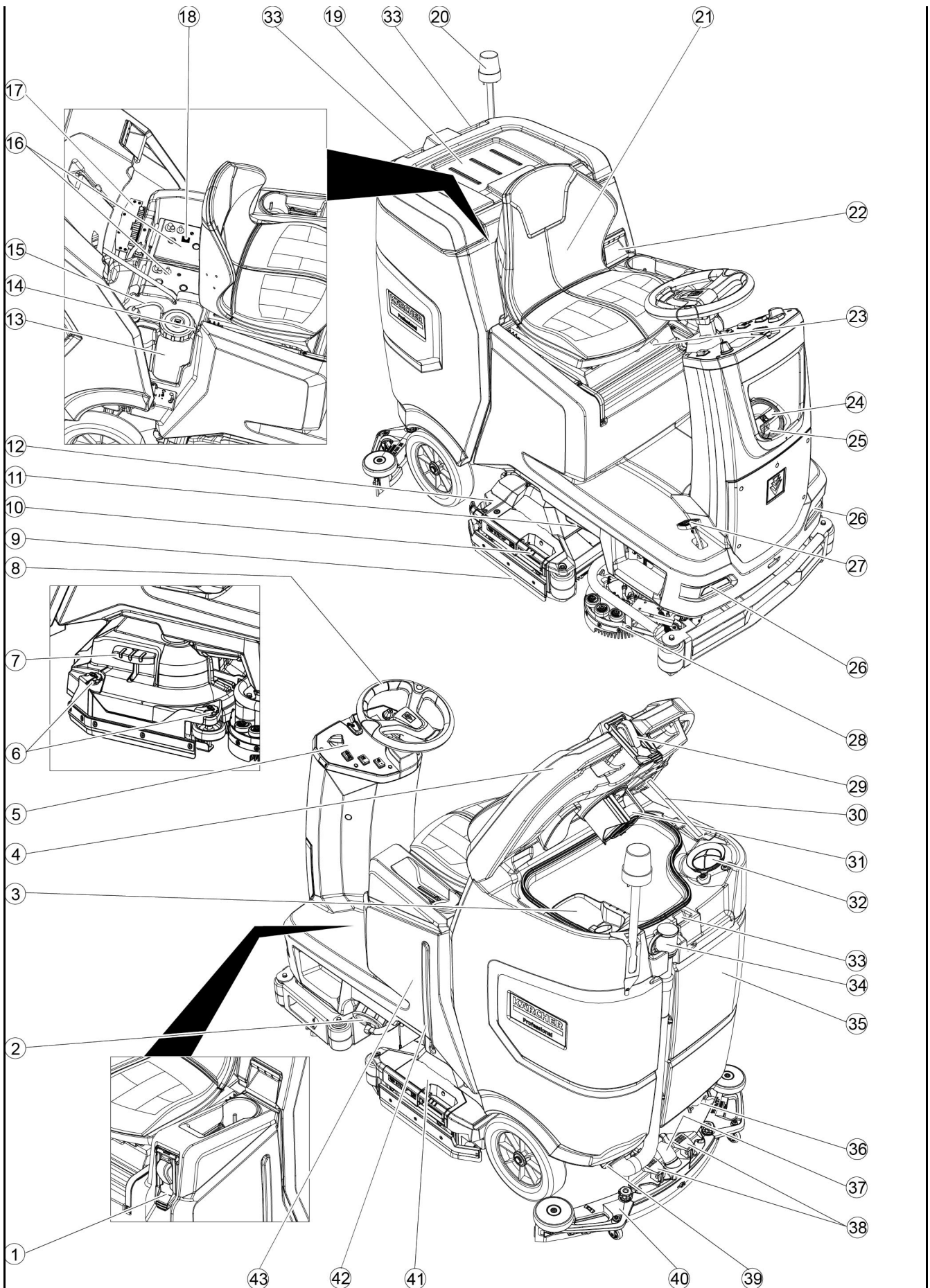
Les informations actuelles concernant les matières composantes sont disponibles sous : www.kaercher.de/REACH

Étendue de livraison

Lors du déballage, vérifiez que le contenu de la livraison est complet. Si des accessoires manquent ou en cas de dommage dû au transport, veuillez informer votre distributeur.

Description de l'appareil

Vue d'ensemble de l'appareil

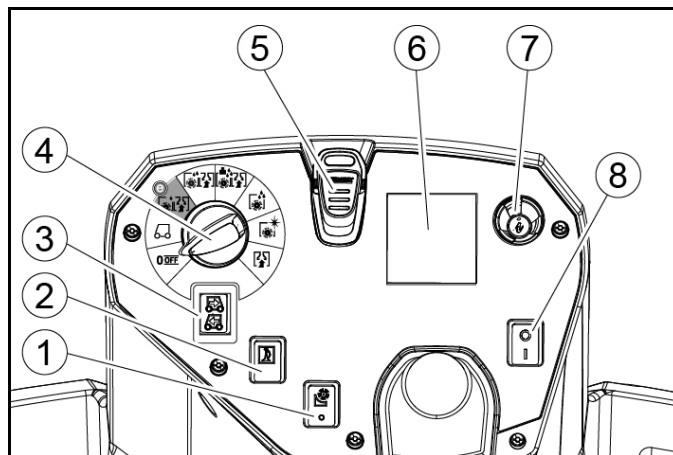


- ① * Système de remplissage
 - ② Fermeture du réservoir d'eau propre avec filtre d'eau propre
 - ③ Filtre à impuretés grossières
 - ④ Couvercle du bac d'eau sale
 - ⑤ Tableau de commande
 - ⑥ Molette de réglage du joint racleur (tête de nettoyage D uniquement)
 - ⑦ Pédale de changement de brosse (tête de nettoyage D uniquement)
 - ⑧ Volant
 - ⑨ Joint racleur
 - ⑩ Poignée de changement de brosse (tête de nettoyage R uniquement)
 - ⑪ Éclairage latéral
 - ⑫ Réservoir de déchets volumineux (tête de nettoyage R uniquement)
 - ⑬ Bidon de détergent
 - ⑭ Plaque signalétique
 - ⑮ Tuyau d'aspiration de détergent
 - ⑯ Batterie
 - ⑰ * Chargeur interne
 - ⑱ Fiche de batterie (avec chargeur externe)
Chargeur de câble secteur (avec chargeur interne)
 - ⑲ Socle pour kit de nettoyage « Homebase Box »
 - ⑳ * Feu de détresse
 - ㉑ Siège
 - ㉒ Déverrouillage du bac d'eau sale
 - ㉓ Levier de réglage du siège
 - ㉔ Ouverture de remplissage du réservoir d'eau propre
 - ㉕ Porte-flexible
 - ㉖ Feux de circulation diurne
 - ㉗ Pédale d'accélération
 - ㉘ * Brosse de lavage latérale
 - ㉙ * Raccord d'alimentation en eau pour système de rinçage du bac d'eau sale
 - ㉚ Support de couvercle du bac d'eau sale
 - ㉛ Flotteur
 - ㉜ Filtre anti-peluches
 - ㉝ Rangement pour suceur
 - ㉞ Flexible de vidange d'eau sale avec dispositif de dosage
 - ㉟ Bac d'eau sale
 - ㊱ * Porte-serpillière
 - ㊲ Tuyau d'aspiration
 - ㊳ Levier de serrage du suceur
 - ㊴ Fermeture du bac d'eau sale
 - ㊵ Barre d'aspiration
 - ㊶ Tête de nettoyage
 - ㊷ Indicateur du niveau de remplissage en eau propre
 - ㊸ Réservoir d'eau propre
- * en option

Code couleur

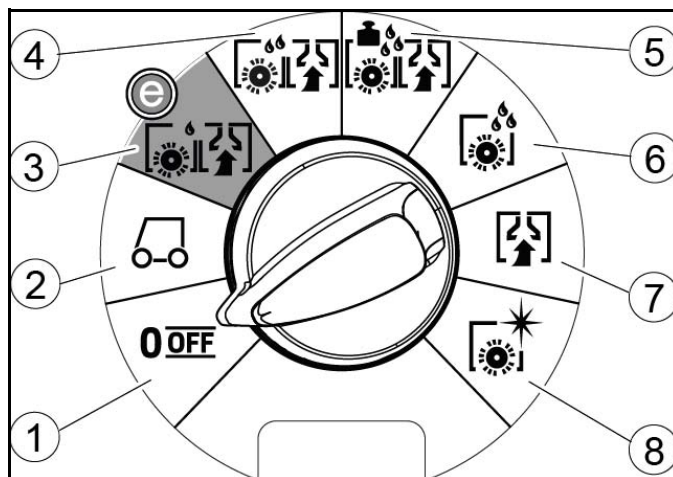
- Les éléments de commande pour le processus de nettoyage sont jaunes.
- Les éléments de commande pour la maintenance et le service sont gris clair.

Tableau de commande



- ① * Interrupteur de la brosse de lavage latérale
- ② Klaxon
- ③ Commutateur de sens de la marche
- ④ Programmateur
- ⑤ Clé intelligente
- ⑥ Écran
- ⑦ Bouton Info
- ⑧ Protection thermique

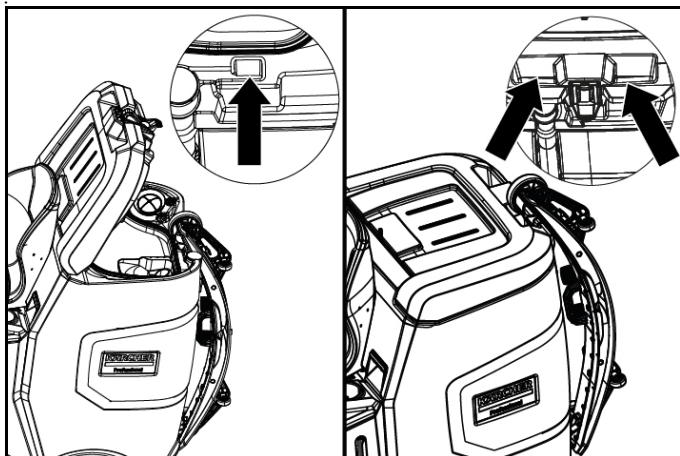
Programmeur



- ① OFF
L'appareil est hors tension.
- ② Transport
Conduire l'appareil sur le lieu d'intervention.
- ③ Bross. et aspi. : éco
Nettoyer le sol à l'eau (avec un volume d'eau et une vitesse de rotation de la brosse réduits) et aspirer l'eau sale (avec une puissance d'aspiration réduite).
- ④ Bross. et aspi.
Nettoyer le sol à l'eau et aspirer l'eau sale.
- ⑤ Bross. et aspi. : int
Nettoyer le sol à l'eau (avec une pression d'appui au sol de la brosse accrue) et aspirer l'eau sale.
- ⑥ Brosage unique.
Placement sans aspiration.
Nettoyer le sol à l'eau et laisser agir le détergent.
- ⑦ Aspiration unique.
Aspirer l'eau sale.
- ⑧ Polissage
Lustrer le sol avec une vitesse de rotation de la brosse élevée sans appliquer de liquide.




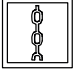
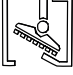



Support de suceur

- Lors de la conduite dans des espaces étroits, le suceur peut être démonté et suspendu dans l'une des ouvertures sur le couvercle du bac d'eau sale.



Le suceur peut être suspendu dans l'évidement du bac d'eau sale pour le stockage.

Symboles sur l'appareil

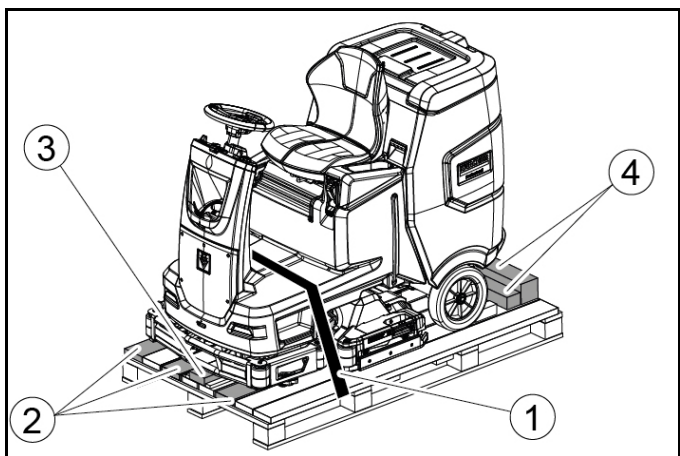
-  Ouverture de vidange du réservoir d'eau propre
-  Ouverture de vidange du bac d'eau sale
-  Niveau de remplissage du réservoir d'eau propre (50%)
-  Point d'arrimage
-  * Support du balai laveur
-  Raccord d'alimentation en eau du système de remplissage
-  Raccord d'alimentation en eau du système de rinçage du bac d'eau sale
-  Changement de brosse

* en option

Montage

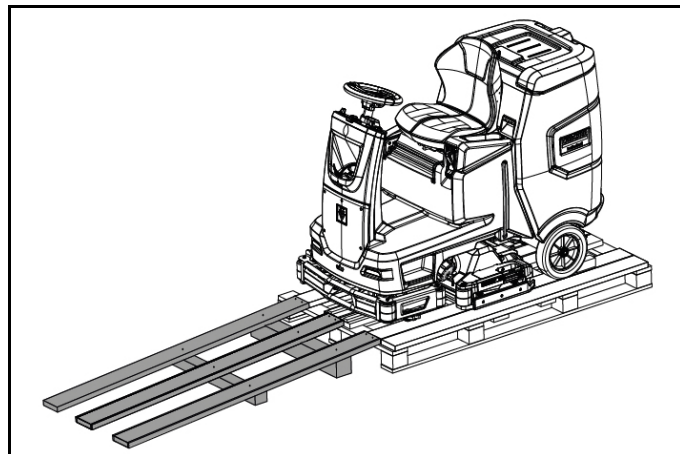
Déchargement

1. Retirer le film d'emballage.
2. Retirer la bande de serrage.



- ① Bande de serrage
- ② Planche
- ③ Cale
- ④ Bois

3. Dévisser la cale, les bois équarris et les planches. Les composants à dévisser sont marqués en gris sur la figure.
4. Placer une rampe devant la palette avec les planches et les bois équarris dévissés et la fixer avec des vis pour aggloméré.



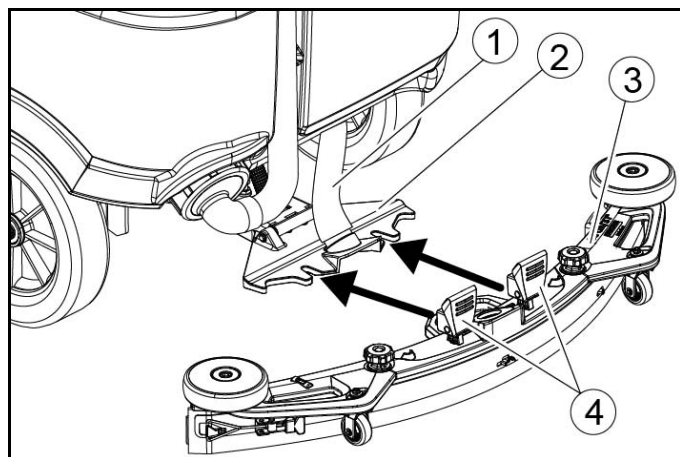
5. Monter les batteries si l'appareil a été livré sans batteries (voir le chapitre « Avant la mise en service/ Batteries »).
6. Retirer l'appareil en marche avant de la palette (voir le chapitre « Fonctionnement/Conduite »).

Montage des brosses

1. Le montage des brosses est décrit dans le chapitre « Travaux de maintenance ».

Monter la barre d'aspiration

1. Faire pivoter les deux leviers de serrage vers le haut.



- ① Tuyau d'aspiration
 - ② Suspension pour suceur
 - ③ Barre d'aspiration
 - ④ Levier de blocage
2. Accrocher la barre d'aspiration dans la suspension pour la barre d'aspiration.
 3. Faire pivoter les deux leviers de serrage vers le bas.

Batteries

Jeux de batteries recommandés

ATTENTION

Risque d'endommagement

Les batteries ne peuvent être remplacées que par des batteries de même technologie.

Les batteries au plomb ne doivent pas être remplacées par des batteries Li-ion.

Les batteries li-ion ne doivent pas être remplacées par des batteries au plomb.

Batteries au plomb :

Description	Référence	Volume (m ³)*	Flux d'air (m ³ /h)**
170 Ah - aucune maintenance, AGM	4.039-352.7	2,4	1,0
180 Ah - aucune maintenance, gel	4.039-354.7	3,8	1,6
285 Ah - aucune maintenance, AGM	4.039-353.7	12,6	5,1

* Volume minimal de la pièce de chargement des batteries

** Flux d'air minimal entre la pièce de chargement des batteries et l'environnement

L'appareil requiert 2 batteries.

Batteries li-ion :

Description	Référence
80 Ah, 25,6 V	6.654-454.0

L'appareil requiert 2 batteries.

Insérer et raccorder les batteries

Remarque

Pour la version d'appareil avec batterie li-ion, la batterie est déjà installée et raccordée.

⚠ PRÉCAUTION

Démontage et montage des batteries

Manque de stabilité de la machine

Attention à la bonne stabilité de la machine lors du démontage et du montage des batteries.

ATTENTION

Inversion de polarité

Destruction de l'électronique de commande

Respectez la polarité lorsque vous raccordez la batterie.

ATTENTION

Décharge totale

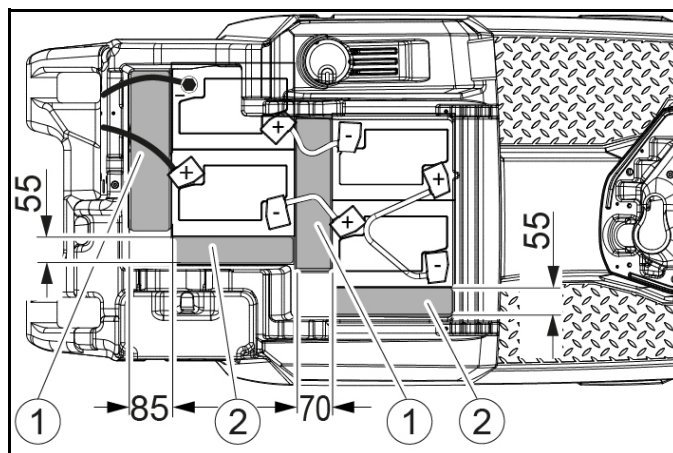
Risque d'endommagement

Chargez les batteries avant la mise en service de l'appareil.

1. Vidanger l'eau sale.

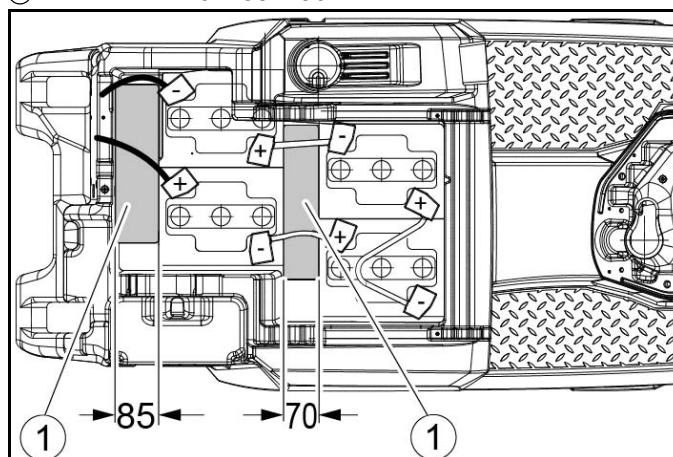
2. Déverrouiller le bac d'eau sale et le faire pivoter vers l'arrière.

3. Insérer les batteries dans l'appareil.



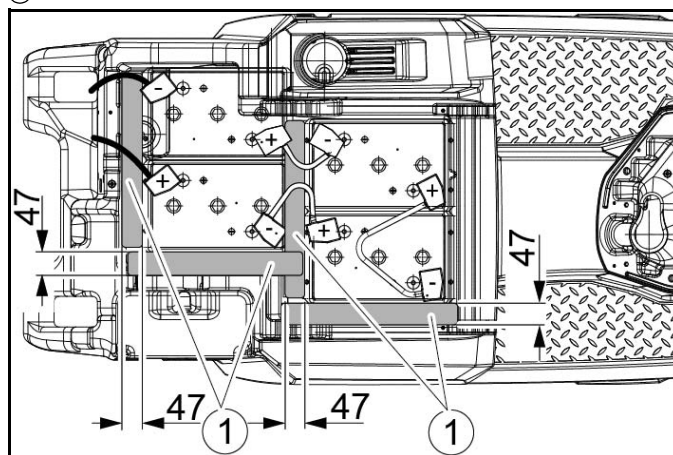
170 Ah, 4.039-352.7

- ① Entretoise 310 x 85 x 70 mm
- ② Entretoise 240 x 55 x 30 mm



180 Ah, 4.039-354.7

- ① Entretoise 310 x 85 x 70 mm



285 Ah, 4.039-353.7

- ① Entretoise 345 x 60 x 47
- 160 Ah Li-Ion, 6.654-454.0

- ① Tôle
- ② Entretoise 155x300x60
- ③ Entretoise 320x90x40
- 4. Insérer les entretoises aux emplacements indiqués sur l'illustration entre la batterie et l'appareil.
- 5. Raccorder les pôles aux câbles de liaison.
- 6. Brancher le câble de raccordement aux pôles encore libres de la batterie (+) et (-).

Remarque

Pour le jeu de batteries 170 Ah 4.039-352.7, fixer le câble de raccordement au pôle moins avec la vis de borne isolée.

7. Raccorder la fiche de la batterie côté appareil à la fiche de la batterie côté batterie.
8. Faire pivoter le bac d'eau sale vers l'avant et le fermer.

Démontage de la batterie

⚠ PRÉCAUTION

Démontage et montage des batteries

Manque de stabilité de la machine

Attention à la bonne stabilité de la machine lors du démontage et du montage des batteries.

⚠ AVERTISSEMENT

Risque de blessure dû au renversement de l'appareil !

L'appareil peut se renverser lors du retrait et de l'installation des batteries.

Attention à la bonne stabilité de l'appareil lors du démontage et du montage des batteries.

1. Mettre l'interrupteur à clé à « 0 » et retirer la clé.
2. Débrancher le connecteur de batterie.
3. Vidanger l'eau sale.
4. Pivoter le bac d'eau sale vers le haut.
5. Débrancher le câble du pôle moins de la batterie, côté appareil.
6. Débrancher les autres câbles des batteries.
7. Sortir les batteries.
8. Éliminer les batteries usagées conformément aux directives en vigueur.

Mise en service

Chargement de la batterie

⚠ DANGER

Utilisation non conforme du chargeur

Choc électrique

Respectez la tension du secteur et le fusible sur la plaque signalétique de l'appareil.

N'utiliser le chargeur que dans les pièces sèches et suffisamment aérées.

La charge de la batterie entraîne la formation de gaz inflammables

Risque d'explosion

Ne chargez les batteries que dans un local approprié. Le local doit avoir un volume minimal en fonction du type de batterie et un renouvellement d'air avec un débit d'air minimal (voir « Batteries recommandées »).

ATTENTION

Accumulation de gaz dangereux sous le réservoir pendant la charge

Risque d'explosion

Avant de charger les batteries sans maintenance, pivotez le bac d'eau sale vers le haut.

La durée de charge est d'env. 10-15 heures.

Ne pas utiliser l'appareil pendant le processus de charge.

Remarque

L'appareil dispose d'une protection contre la décharge complète, c'est à dire que lorsque la valeur minimale autorisée de capacité est atteinte, le moteur de brosse et la turbine sont éteints.

1. Déplacer l'appareil jusqu'au chargeur en évitant les pentes.

Régler la courbe caractéristique de charge

Avant la première mise en service, après une réinitialisation de service ou en cas de changement de type de batterie, il est impératif de régler la courbe caractéristique de charge.

⚠ DANGER

Risque dû au démarrage intempestif de l'appareil

Risque de blessures

Avant toute intervention sur l'appareil, retirez la fiche de la bougie ou débranchez la batterie.

ATTENTION

Risque d'endommager la batterie

La durée de vie et la capacité de charge de la batterie peuvent être affectées par une courbe de charge incorrecte.

Assurez-vous que la courbe caractéristique correspondant à la batterie est sélectionnée dans la machine.

La courbe caractéristique de la batterie actuellement sélectionnée est visible sur l'écran pendant le chargement ou via l'application dans la zone « État de l'appareil ».

Remarque

La courbe caractéristique de charge ne peut être réglée que par le service après-vente Kärcher.

Des caractéristiques de la batterie sont disponibles pour les batteries suivantes :

- EXIDE GF12105V
- HOPPECKE TB115
- EXIDE GF12076V
- EXIDE FF12080W
- TROJAN 27TMX
- HOPPECKE TB80
- ZENITH L120185

Remarque

Pour pouvoir utiliser d'autres batteries, le service Kärcher peut créer une courbe caractéristique Custom Battery, pour cela les paramètres de batterie correspondants doivent être mis à disposition.

Chargeur externe

ATTENTION

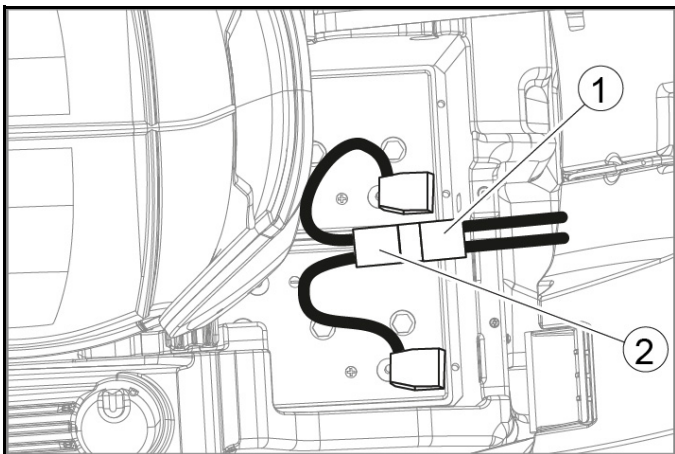
Risque d'endommagement dû à un chargeur inadapté !

Ne raccordez pas le chargeur à la fiche de la batterie côté appareil.

Utilisez uniquement un chargeur adapté au type de batterie installée.

Batterie	Capacité	Chargeur
4.039-352.7	170 Ah	6.654-436.0
4.039-354.7	180 Ah	6.654-434.0
4.039-353.7	285Ah	6.654-419.0

1. Déverrouiller le bac d'eau sale et le faire pivoter vers l'arrière.
2. Retirer la fiche de la batterie côté appareil.



- ① Fiche de la batterie, côté appareil
- ② Fiche de la batterie, côté batterie
3. Raccorder la fiche de la batterie côté batterie au chargeur.
4. Brancher la fiche secteur du chargeur dans la prise de courant.
5. Exécuter le processus de charge suivant les instructions dans la notice d'utilisation du chargeur.
6. Raccorder la fiche de la batterie côté appareil à la fiche de la batterie côté batterie.
7. Faire pivoter le bac d'eau sale vers l'avant puis le fermer.

Chargeur interne

1. Déverrouiller le bac d'eau sale et le faire pivoter vers l'arrière.
2. Brancher la fiche secteur du chargeur interne dans la prise de courant.
L'état de charge de la batterie est affiché sur l'écran du tableau de commande.
3. Après le cycle de charge, débrancher la fiche secteur du chargeur de la prise de courant.
4. Faire pivoter le bac d'eau sale vers l'avant.

Batteries sans maintenance (batteries à éléments humides)

⚠ DANGER

Remplir en eau lorsque la batterie est déchargée

Risque de brûlure dû à une fuite d'acide, destruction des vêtements

Utiliser des lunettes de protection, des vêtements de protection et des gants de protection lors de la manipulation d'acide de batterie.

Respecter les consignes.

Rincer immédiatement avec beaucoup d'eau les éventuelles projections d'acide sur la peau ou les vêtements.

ATTENTION

Utilisation d'eau avec des additifs

Batteries défectueuses, perte de garantie

Pour remplir les batteries, utilisez uniquement de l'eau distillée ou de l'eau déminéralisée (EN 50272-T3).

N'utilisez aucun additif externe, appelés améliorants, sous peine d'annuler la garantie.

1. Ajouter de l'eau distillée une heure avant la fin du processus de charge. Ce faisant, observer le niveau d'acide sur le repère de la batterie.
Toutes les cellules doivent expulser du gaz à la fin du processus de charge.
2. Retirer l'eau renversée. Pour ce faire, procéder comme décrit dans le chapitre « Entretien et maintenance » au paragraphe « Nettoyage des batteries ».

Fonctionnement

⚠ DANGER

Chute d'objets

Risque de blessures

Ne conduisez pas l'appareil dans des zones où il est possible que le personnel opérateur soit heurté par des chutes d'objets.

ATTENTION

Situation à risque pendant le fonctionnement

Risque de blessures

En cas de danger, mettez l'interrupteur de sécurité en position « 0 ».

Pousser l'appareil

Pour pousser l'appareil, le frein doit être déverrouillé.

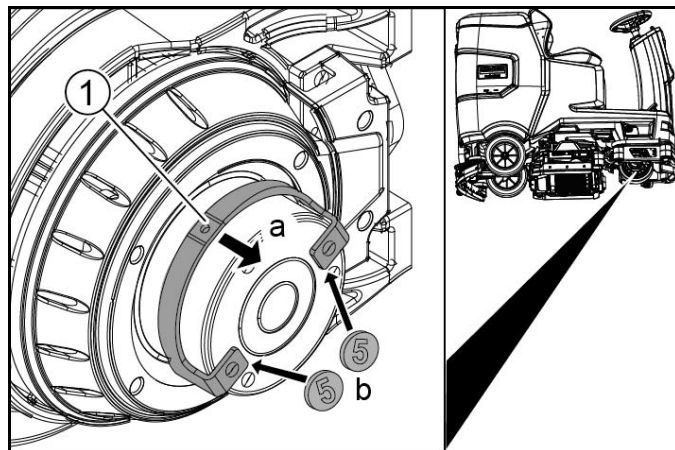
⚠ DANGER

Risque d'accident

Lorsque le frein est déverrouillé, la fonction du frein est en permanence hors service.

Retirez impérativement les jetons pour le déverrouillage immédiat après la fin du processus de poussage.

1. Faire pivoter le levier de déverrouillage loin de la roue et le maintenir.



- ① Levier de déverrouillage
2. Insérer un jeton entre le boîtier et le levier aux deux extrémités du levier.
3. Relâcher le levier de déverrouillage.
4. Pousser l'appareil.
5. Retirer les deux jetons immédiatement après le processus de poussage.

Réglage du siège

Réglage de la hauteur

1. Se tenir à côté de l'appareil.
2. Soulever le siège à l'arrière.
3. Ajuster la fixation du siège avant au niveau de hauteur souhaité de l'appareil.
4. Abaisser le siège à l'arrière.

Réglage de la position

1. Actionner le levier de réglage du siège et déplacer le siège dans la position souhaitée.
2. Relâcher le levier de réglage du siège et enclencher le siège.

Démarrage de l'appareil

1. Prendre place sur le siège du conducteur.
2. Insérer la clé intelligente.
3. Mettre l'interrupteur de sécurité en position « 1 ».
4. Tourner le programmateur sur la fonction souhaitée.
5. Si l'un des affichages ci-dessous apparaît à l'écran, retirer le pied de la pédale d'accélération, positionner l'interrupteur de sécurité sur « 0 » et procéder aux travaux de maintenance nécessaires.

Écran	Action
Entretien Suceur	Nettoyer le suceur.
Entretien Brosse	Vérifier l'usure des brosses et les nettoyer.
Entretien Raclette pour vitres	Vérifier l'usure et le réglage des lèvres d'aspiration.
Entretien Filtre à eau usée	Nettoyer le filtre anti-peluches.
Entretien Filtre à eau propre	Nettoyer le filtre d'eau propre.

6. Appuyer sur le bouton Info.
7. Réinitialiser le compteur pour la maintenance correspondante (voir « Clé intelligente grise/Réinitialisation du compteur de maintenance »).

Remarque

Si le compteur n'est pas réinitialisé, l'affichage de maintenance réapparaît à chaque mise sous tension de l'appareil.

Allumer la lumière

Feux de circulation diurne

Les feux de circulation diurne sont en service lorsque l'appareil est activé.

Éclairage latéral

L'éclairage latéral s'allume dès que le programmateur est réglé sur un programme de nettoyage.

Vérification du frein de stationnement

DANGER

Frein de stationnement défectueux

Risque d'accident

Avant chaque utilisation, vérifiez le fonctionnement du frein de stationnement sur une surface plane.

1. Démarrer l'appareil.
2. Mettre le commutateur de sens de la marche sur « avance ».
3. Régler le programmateur sur « Transport ».
4. Appuyer légèrement sur la pédale d'accélération. Le frein doit se déverrouiller de manière audible. L'appareil doit se mettre à rouler légèrement sur la surface plane.
5. Relâcher la pédale d'accélération.

Le frein doit être appliqué de manière audible.

Si ce n'est pas le cas, mettre l'appareil hors service et appeler le service après-vente.

Conduite

DANGER

Absence de freinage

Risque d'accident

Avant d'utiliser l'appareil, vérifiez impérativement le fonctionnement du frein de stationnement. N'utilisez en aucun cas l'appareil si le frein de stationnement ne fonctionne pas.

DANGER

Conduite imprudente

Risque de basculement

Ne conduisez dans le sens de la marche et perpendiculairement au sens de la marche que sur des pentes d'au maximum 10%.

Ne tournez pas dans des inclinaisons ou des pentes.

Conduisez lentement dans les virages et sur sol mouillé.

Ne conduisez l'appareil que sur une base consolidée.

Remarque

Il est possible de modifier le sens de la marche pendant la conduite. Cela signifie que des taches très ternes peuvent être lustrées par plusieurs déplacements d'avant en arrière.

1. Prendre la position assise.
2. Insérer la clé intelligente.
3. Mettre l'interrupteur de sécurité sur « 1 ».
4. Régler le programmateur sur « Transport ».
5. Régler le sens de la marche avec le commutateur de sens de la marche sur le pupitre de commande.
6. Déterminer la vitesse de conduite en actionnant la pédale d'accélération.
7. Relâcher la pédale d'accélération.
L'appareil s'arrête.

Le moteur de traction est coupé en cas de surcharge. Un message d'erreur apparaît à l'écran. Si la commande surchauffe, l'unité d'entraînement concernée est coupée.

8. Laisser refroidir l'appareil pendant au moins 15 minutes.
9. Régler le programmateur sur « OFF », attendre brièvement et le régler sur le programme souhaité.

Remplissage en eau propre

Remplissage en eau propre avec le système de remplissage

1. Raccorder le flexible d'eau à la tubulure de raccordement du système de remplissage (température maximale de l'eau 50 °C).
2. Ouvrir l'arrivée d'eau.
3. Surveiller l'appareil, le système de remplissage automatique interrompt l'arrivée d'eau lorsque le réservoir d'eau propre est plein.
4. Fermer l'arrivée d'eau.
5. Retirer le flexible d'eau.

Remplissage en eau propre

1. Ouvrir la fermeture du réservoir d'eau propre.
2. Remplir en eau propre (50 °C maximum) jusqu'au nord inférieur de la tubulure de remplissage.

Remarque : Le flexible d'eau propre peut être coincé avec le porte-flexible pendant le remplissage.

3. Fermer la fermeture du réservoir d'eau propre.

Remplissage du détergent

Consignes pour les détergents

AVERTISSEMENT

Détergents non adaptés

Risque pour la santé, endommagement de l'appareil

Utilisez uniquement les détergents recommandés. En cas d'utilisation d'autres détergents, l'exploitant est responsable du risque élevé envers la sécurité de fonctionnement et le risque d'accident.

Utilisez uniquement des détergents sans chlore, sans solvant, sans acide chlorhydrique ni acide fluorhydrique. Respectez les consignes de sécurité sur les détergents.

Remarque

N'utilisez pas de détergents fortement moussants.

Détergents recommandés

Utilisation	Détergents
Nettoyage d'entretien de tous les sols résistants à l'eau	RM 746 RM 756 RM 780
Nettoyage d'entretien de surfaces brillantes (granit, p.ex.)	RM 755 es
Nettoyage d'entretien, nettoyage intermédiaire et nettoyage puissant de sols industriels	RM 69 ASF
Nettoyage d'entretien et nettoyage de fond de carreaux de faïence	RM 753
Nettoyage d'entretien de carrelages dans les espaces sanitaires	RM 751
Désincrustation de tous les sols résistants aux alcalins (PVC, p.ex.)	RM 752
Désincrustation de sols en linoléum	RM 754

Remplissage en détergent avec le dispositif de dosage

Variante DOSE uniquement :

Le détergent est ajouté à l'eau propre par un dispositif de dosage avant d'arriver à la tête de nettoyage.

1. Déverrouiller le bac d'eau sale et le faire pivoter vers l'arrière.
2. Remplir le réservoir de détergent avec du détergent.
3. Faire pivoter le bac d'eau sale vers l'avant.

Remarque

Un maximum de 3% de détergent peut être ajouté avec le dispositif de dosage. Si le dosage est plus élevé, le détergent doit être ajouté dans le réservoir d'eau propre.

Remplissage de détergent dans le réservoir d'eau propre

1. Verser le détergent dans le réservoir d'eau propre.
Remarque : Vous pouvez utiliser le couvercle de l'ouverture de remplissage du réservoir d'eau propre pour doser le détergent. Il est équipé d'une échelle à l'intérieur.

Réglage des paramètres

1. Régler le programmeur sur le programme de nettoyage souhaité.
2. Tourner le bouton Info jusqu'à l'affichage du paramètre souhaité.
3. Appuyer sur le bouton Info.
La valeur réglée clignote.
4. Régler la valeur souhaitée en tournant le bouton Info.
5. Confirmer le réglage modifié en appuyant sur le bouton Info ou attendre que la valeur réglée soit appliquée automatiquement au bout de 10 secondes.

Clé intelligente jaune

La clé intelligente jaune autorise les fonctions requises pour la tâche de nettoyage.

Les paramètres des différents programmes de nettoyage sont pré-réglés dans l'appareil. Différents paramètres peuvent être modifiés en fonction de l'autorisation de la clé intelligente jaune.

Les textes à l'écran pour le paramétrage sont généralement explicites.

Paramètres « FACT » (uniquement disponible avec la tête de nettoyage R) :

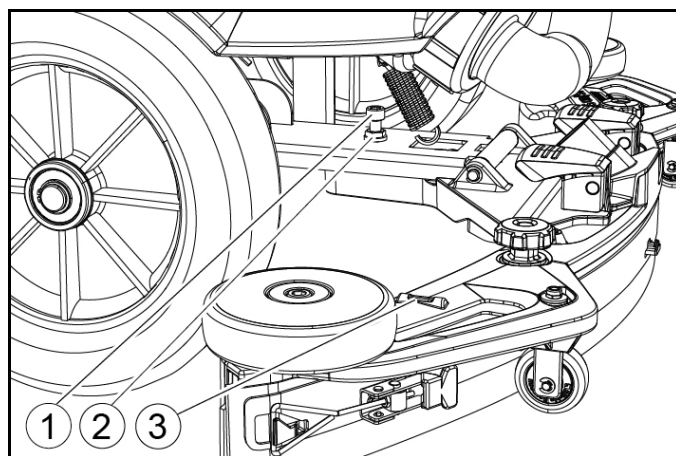
- « Fine Clean » : faible vitesse de rotation de la brosse pour l'élimination du voile gris sur la céramique.
- « Whisper Clean » : vitesse moyenne de rotation de la brosse pour le nettoyage d'entretien avec niveau sonore réduit.
- « Power Clean » : vitesse élevée de rotation de la brosse pour le lustrage, la cristallisation et le balayage.

Régler la barre d'aspiration

Régler l'inclinaison

régler l'inclinaison de manière à ce que les lèvres d'aspiration de la barre d'aspiration soient appuyées régulièrement sur le sol, sur toute leur longueur.

1. Arrêter l'appareil sur une surface sans pente.
2. Tourner le programmeur en position « Aspiration ».
3. Conduire l'appareil légèrement vers l'avant.
4. Lire le niveau à bulle.



- ① Vis
- ② Ecrou
- ③ Niveau à bulle
5. Desserrer l'écrou.
6. Régler la vis de sorte que l'affichage du niveau à bulle soit entre les deux traits.
7. Serrer l'écrou.
8. Pour contrôler le nouveau réglage, conduire de nouveau l'appareil légèrement vers l'avant. Répéter éventuellement le processus de réglage.
9. Tourner le programmeur en position « OFF ».

Réglage de la hauteur

Le réglage de la hauteur adapte le pli des lèvres d'aspiration lors du contact avec le sol.

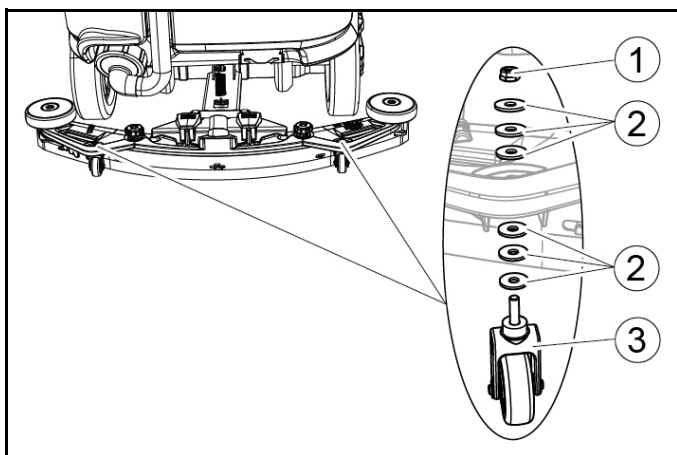
Remarque

Réglage de base : 3 rondelles plates au-dessus, 3 rondelles plates au-dessous du suceur.

Sol irrégulier : 5 rondelles plates au-dessus, 1 rondelle plate au-dessous du suceur.

Sol très lisse : 1 rondelle plate au-dessus, 5 rondelles plates au-dessous du suceur.

1. Dévisser les écrous.



① Ecrou

② Rondelle

③ Rouleau d'écartement avec support

2. Placer le nombre souhaité de rondelles plates entre le suceur et le rouleau d'écartement.
3. Placer les autres rondelles au-dessus du rouleau d'écartement.
4. Visser et serrer l'écrou.
5. Répéter la procédure sur le deuxième rouleau d'écartement.

Remarque

Régler les deux rouleaux d'écartement à la même hauteur.

Réglage des joints racleurs

Les joints racleurs ne doivent être réglés que sur la tête de nettoyage D.

1. Régler les joints racleurs en tournant la molette de réglage de sorte que le joint racleur touche le sol.
2. Tourner la molette de réglage d'un tour supplémentaire vers le bas.

Nettoyer

1. Prendre place sur le siège.
2. Insérer la clé intelligente.
3. Mettre l'interrupteur de sécurité en position « 1 ».
4. Mettre le commutateur de sens de la marche sur marche avant.
5. Régler le programmateur sur le programme de nettoyage souhaité.
6. Déterminer la vitesse avec la pédale d'accélération.
7. Déterminer le sens de la marche avec le volant.
8. Quitter la surface à nettoyer.

Brosse de lavage latérale (option)

La brosse de lavage latérale facilite le travail près des bordures.

Remarque

La brosse de lavage latérale n'est pas active dans les programmes de nettoyage lustrage et aspiration.

1. Actionner l'interrupteur de la brosse de lavage latérale. La brosse de lavage latérale est activée.
2. Pour terminer le travail avec la brosse de lavage latérale, régler l'interrupteur de la brosse de lavage latérale sur « 0 ».

Terminer l'utilisation

Terminer le nettoyage

1. Régler le programmateur sur conduite.
2. Réaliser encore un petit déplacement. L'eau résiduelle est aspirée.
3. Tourner le programmateur en position « OFF ».
4. Retirer la clé intelligente.
5. Charger la batterie le cas échéant.

Vidange de l'eau sale

⚠ AVERTISSEMENT

Élimination non conforme des eaux usées

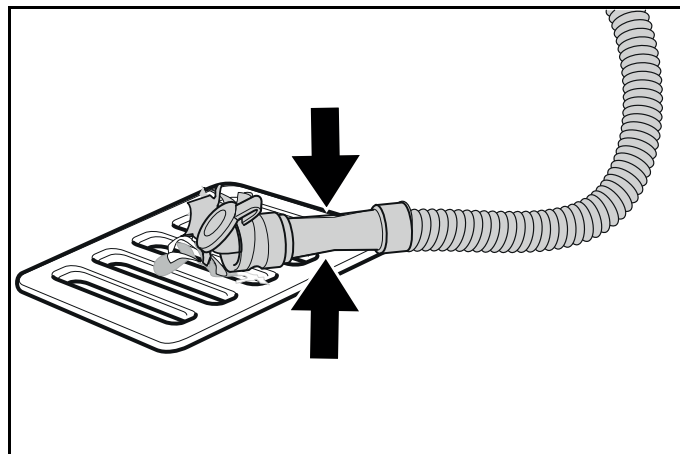
Pollution

Respectez les prescriptions locales de traitement des eaux usées.

Remarque

Lorsque le bac d'eau sale est plein, le flux d'aspiration est interrompu par un flotteur pour empêcher le bac d'eau sale de déborder. Dans ce cas, vidanger l'eau sale.

1. Retirer le flexible de vidange d'eau sale de la fixation et ouvrir le couvercle du flexible de vidange.



2. Appuyer sur l'extrémité du flexible et l'abaisser sur le dispositif d'élimination.
3. Régler la force du jet d'eau sale en appuyant sur l'extrémité du flexible.
4. Rincer le bac d'eau sale à l'eau claire.
5. Fermer le couvercle sur le flexible de vidange.
6. Enfoncer le flexible d'eau sale dans la fixation de l'appareil.

Système de rinçage du bac d'eau sale (option)

1. Retirer le flexible de vidange d'eau sale de la fixation et ouvrir le couvercle du flexible de vidange.
2. Fermer le couvercle du bac d'eau sale.
3. Raccorder un flexible d'arrivée d'eau au raccord d'alimentation en eau du système de rinçage du bac d'eau sale.
4. Ouvrir l'arrivée d'eau et rincer le bac d'eau sale pendant environ 30 secondes.
5. Répéter le processus de rinçage 2 à 3 fois si nécessaire.
6. Fermer l'arrivée d'eau.
7. Retirer le flexible d'arrivée d'eau de l'appareil.
8. Fermer le flexible d'écoulement de l'eau sale et l'enfoncer dans la fixation.

Vidage du réservoir de déchets volumineux

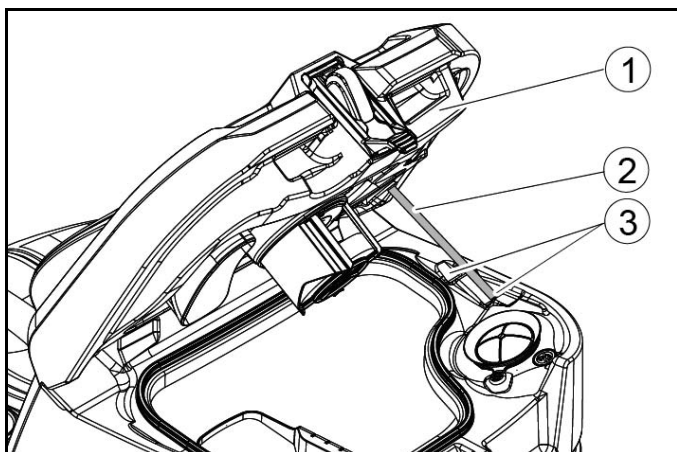
1. Soulever et retirer le réservoir de déchets volumineux.
2. Vider le réservoir de déchets volumineux.
3. Remettre en place le réservoir de déchets volumineux.

Vidanger l'eau propre

1. Ouvrir la fermeture du réservoir d'eau propre.
2. Purger l'eau du robinet.
3. Nettoyer le filtre.
4. Poser la fermeture du réservoir d'eau propre.

Entreposer l'appareil

1. Tourner le programmeur en position « OFF ».
2. Retirer la clé intelligente.
3. Sécuriser l'appareil contre le roulement.
4. Ouvrir le couvercle du bac d'eau sale et le sécuriser avec le support afin que le bac d'eau sale puisse sécher. Pour cela, faire pivoter le support vers le bas et positionner l'extrémité inférieure au niveau souhaité lors de l'abaissement du couvercle.



- ① Couvercle du bac d'eau sale
- ② Support
- ③ Mode

5. Charger la batterie le cas échéant.

Clé intelligente grise

La clé intelligente grise accorde au personnel de supervision des autorisations étendues et des possibilités de réglage.

1. Insérer la clé intelligente.
2. Sélectionner la fonction souhaitée en tournant le bouton Info.

Course de transport

1. Régler le programmeur sur « Transport ».
2. Appuyer sur le bouton Info.

Les fonctions suivantes peuvent être exécutées dans le menu Transport :

- Réglage de la vitesse maximale
- Affichage du compteur horaire
- Suppression du compteur de maintenance
- Affichage des versions logicielles
- Réglage de la tête de nettoyage R ou D
- Activation/désactivation du dosage d'eau en fonction de la vitesse
- Réglage des temporisations
- Réglage de la langue
- Gestion des clés
- Activation/désactivation des kits de montage
- Activation du réglage d'usine

Vitesse maximale

La vitesse de travail peut être limitée dans le menu « Vitesse maximale ».

1. Tourner le bouton Info jusqu'à ce que « Vitesse maximale » s'affiche à l'écran.
2. Appuyer sur le bouton Info.
3. Tourner le bouton Info jusqu'à l'affichage de la vitesse maximale souhaitée.
4. Appuyer sur le bouton Info.

Remarque

La vitesse de travail ne peut pas dépasser la vitesse maximale réglée.

Réinitialiser le compteur de maintenance

Si un travail de maintenance affiché à l'écran a été exécuté, le compteur de maintenance correspondant doit alors être réinitialisé.

1. Tourner le bouton Info jusqu'à ce que « Compteurs entr. » s'affiche.
2. Appuyer sur le bouton Info. Les relevés de compteur s'affichent.
3. Tourner le bouton Info jusqu'à ce que le compteur à supprimer soit mis en surbrillance.
4. Appuyer sur le bouton Info.
5. Sélectionner « Oui » en tournant le bouton Info.
6. Appuyer sur le bouton Info. Le compteur est supprimé.

Réglage de la tête de nettoyage

1. Tourner le bouton Info jusqu'à ce que « Brosse » s'affiche dans le menu.
2. Appuyer sur le bouton Info.
3. Tourner le bouton Info jusqu'à ce que le type de tête de nettoyage montée soit mis en surbrillance.
« Roll » = tête de nettoyage R
« Disc » = tête de nettoyage D
4. Appuyer sur le bouton Info.

Dosage de l'eau en fonction de la vitesse

Si le dosage de l'eau en fonction de la vitesse est activé, l'arrosage de brosse change proportionnellement à la vitesse.

Le dosage de l'eau est également influencé par le réglage du programme de nettoyage respectif (0...100 %).

Réglage	ON [ml/m ²]	OFF [l/min]
0%	0	0
10%	7,5	0,6
20%	15	1,1
30%	22,5	1,7
40%	30	2,3
50%	37,5	2,8
60%	45	3,4
70%	52,5	3,9
80%	60	4,5
90%	67,5	5,1
100%	75	5,7

Réglage du dosage de l'eau constant ou en fonction de la vitesse :

1. Tourner le bouton Info jusqu'à ce que « Mode dosage d'eau » s'affiche à l'écran.
2. Appuyer sur le bouton Info.
3. Tourner le bouton Info jusqu'à ce que la fonction souhaitée soit mise en surbrillance.
4. Appuyer sur le bouton Info.

Temporisations

1. Tourner le bouton Info jusqu'à ce que le point de menu « Arrêts essorage » s'affiche à l'écran.
2. Appuyer sur le bouton Info.
3. Tourner le bouton Info jusqu'à ce que le module souhaité soit mis en surbrillance.
4. Appuyer sur le bouton Info.
5. Tourner le bouton Info jusqu'à l'affichage de la temporisation souhaitée.
6. Appuyer sur le bouton Info.

Réglage de la langue

1. Tourner le bouton Info jusqu'à ce que le point de menu « Langue » s'affiche à l'écran.
2. Appuyer sur le bouton Info.
3. Tourner le bouton Info jusqu'à ce que la langue souhaitée soit mise en surbrillance.
4. Appuyer sur le bouton Info.

Gestion des clés

Dans le point de menu « KIK », les autorisations pour les touches intelligentes jaunes et la langue d'affichage sont libérées.

1. Insérer la clé intelligente grise.
2. Tourner le bouton Info jusqu'à ce que le point de menu « KIK » s'affiche à l'écran.
3. Appuyer sur le bouton Info.
4. Retirer la clé intelligente grise et insérer la clé intelligente jaune à personnaliser.
5. Sélectionner le point de menu à modifier en tournant le bouton Info.
6. Appuyer sur le bouton Info.
7. Sélectionner le réglage du point de menu en tournant le bouton Info.
8. Confirmer le réglage en appuyant sur le point de menu.
9. Sélectionner le point de menu suivant à modifier en tournant le bouton Info.
10. Une fois tous les réglages effectués, afficher le menu « Confirmer » en tournant le bouton Info.
11. Appuyer sur le bouton Info.
Les autorisations sont enregistrées.

Activation/désactivation des kits de montage

1. Tourner le bouton Info jusqu'à l'affichage du kit de montage souhaité à l'écran.
2. Appuyer sur le bouton Info.
3. Tourner le bouton Info jusqu'à ce que la fonction souhaitée du kit de montage soit mise en surbrillance.
4. Appuyer sur le bouton Info.

Réglage usine

Le réglage d'usine de tous les paramètres de nettoyage est rétabli.

1. Tourner le bouton Info jusqu'à l'affichage du point de menu « Réglages usine ».
2. Appuyer sur le bouton Info.
3. Tourner le bouton Info jusqu'à ce que « Oui » soit mis en surbrillance.
4. Appuyer sur le bouton Info.

Réglage des paramètres des programmes de nettoyage

Tous les paramètres des programmes de nettoyage sont conservés jusqu'à ce qu'un autre réglage soit sélectionné.

1. Régler le programmateur sur le programme de nettoyage souhaité.
2. Appuyer sur le bouton Info.
Le premier paramètre à régler est affiché.
3. Appuyer sur le bouton Info
La valeur réglée clignote.
4. Régler la valeur souhaitée en tournant le bouton Info.
5. Confirmer le réglage modifié en appuyant sur le bouton Info ou attendre que la valeur réglée soit appliquée automatiquement au bout de 10 secondes.
6. Sélectionner le paramètre suivant en tournant le bouton Info.
7. Une fois tous les paramètres souhaités modifiés, tourner le bouton Info jusqu'à l'affichage du point de menu « Quitter ».
8. Appuyer sur le bouton Info.
Le menu est quitté.

Transport

⚠ DANGER

Conduite en pente

Risque de blessures

Utilisez l'appareil pour le chargement et le déchargement uniquement sur des pentes jusqu'à la valeur maximale (voir le chapitre « Caractéristiques techniques »).

Conduisez lentement.

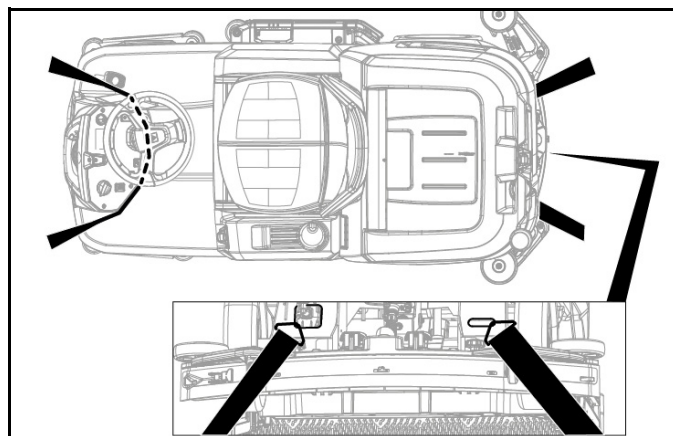
⚠ PRECAUTION

Non-observation du poids

Risque de blessure et d'endommagement

Observer le poids de l'appareil pour le transport.

1. Avec la tête de nettoyage D montée, retirer les disques brosses du sabot.
2. En cas de transport de l'appareil dans des véhicules, le bloquer contre le glissement et le basculement suivant les normes en vigueur.



Stockage

⚠ PRECAUTION

Risque de blessures et d'endommagement en cas de non-respect du poids

Tenir compte du poids de l'appareil pour le stockage.

ATTENTION

Gel

Destruction de l'appareil par le gel d'eau

Videz complètement l'appareil de toute son eau.

Rangez l'appareil à un endroit hors gel.

- Stocker cet appareil uniquement à l'intérieur.
- Charger complètement les batteries avant de les stocker longtemps.
- Charger complètement les batteries au moins une fois par mois pendant le stockage.

Entretien et maintenance

⚠ DANGER

Démarrage intempestif de l'appareil

Risque de blessures, risque d'électrocution

Tourner le programmateur en position « OFF ».

Débranchez la clé intelligente avant de réaliser un quelconque travail sur l'appareil.

Débranchez la fiche secteur du chargeur.

Débranchez la fiche de la batterie.

- Vidanger et éliminer l'eau sale et l'eau propre.

Intervalles de maintenance

Après chaque fonctionnement

ATTENTION

Nettoyage non conforme

Risque d'endommagement.

Ne projetez pas d'eau sur l'appareil.

Ne pas utiliser de détergent agressif.

Pour la description détaillée des différents travaux de maintenance, voir le chapitre « Travaux de maintenance ».

- Vidanger l'eau sale.
- Rincer le bac d'eau sale à l'eau claire.
- Nettoyer le filtre à impuretés grossières.
- Tête de nettoyage R uniquement : retirer et vider le réservoir de déchets volumineux.
- Nettoyer l'extérieur de l'appareil à l'aide d'un chiffon humide imbibé d'une solution basique de nettoyage.
- Nettoyer les lèvres d'aspiration, en vérifier l'usure et les remplacer si nécessaire.
- Nettoyer les joints racleurs, en vérifier l'usure et les remplacer si nécessaire.
- Nettoyer les brosses, en vérifier l'usure et les remplacer si nécessaire.
- Charger la batterie.

Batterie au plomb :

- Si le niveau de charge est inférieur à 50%, charger complètement et sans interruption la batterie.
- Si le niveau de charge est supérieur à 50%, charger la batterie uniquement si la prochaine utilisation requiert la durée de fonctionnement complète.

Batterie li-ion :

- Recharger si nécessaire.

Toutes les semaines

- En cas d'utilisation fréquente, charger la batterie complètement et sans interruption au moins une fois par semaine.

Tous les mois

Pour la description détaillée des différents travaux de maintenance, voir le chapitre « Travaux de maintenance ».

- Si l'appareil est temporairement arrêté : procéder à la charge d'égalisation de la batterie.
- Vérifier l'oxydation des pôles de la batterie, les brosser si besoin. Vérifier la bonne fixation des câbles de liaison.
- Nettoyer les joints entre le bac d'eau sale et le couvercle et en vérifier l'étanchéité, les remplacer si besoin.
- Vider le réservoir d'eau propre et rincer les dépôts.
- Nettoyer le filtre d'eau propre.
- Sur les batteries sans maintenance, vérifier l'étanchéité à l'acide des cellules.
- Tête de nettoyage R uniquement : nettoyer le tunnel de la brosse.
- Tête de nettoyage R uniquement : nettoyer la règle de distribution d'eau sur la tête de nettoyage.
- Après des arrêts prolongés, ranger l'appareil avec les batteries complètement chargées. Charger la batterie complètement au moins une fois par mois.

Tous les ans

- Faire réaliser l'inspection prescrite par le service après-vente.

Inspection de sécurité/contrat de maintenance

Vous pouvez convenir d'une inspection de maintenance régulière ou conclure un contrat de maintenance avec votre distributeur. Demandez conseil.

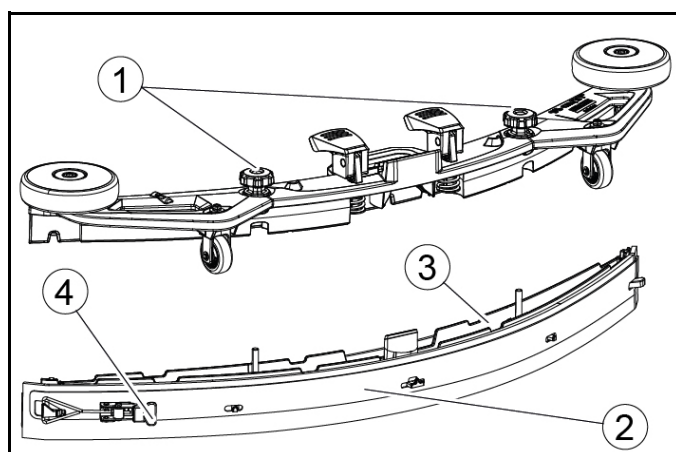
Travaux de maintenance

Retournement ou remplacement des lèvres d'aspiration

Lorsque les lèvres d'aspiration sont usées, elles doivent être retournées ou remplacées.

Les lèvres d'aspiration peuvent être tournées 3 fois jusqu'à ce que les 4 bords soient usés.

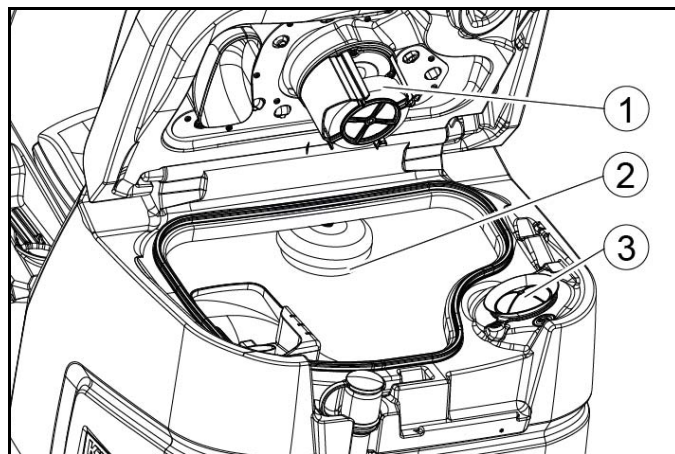
1. Retirer le suceur.
2. Dévisser les poignées étoiles.



- ① Poignée-étoile
 - ② Bande de serrage
 - ③ Partie intérieure du suceur
 - ④ Fermeture de tension
3. Retirer la partie intérieure du suceur.
 4. Ouvrir la fermeture de tension.
 5. Retirer la bande de serrage.
 6. Détacher les lèvres d'aspiration de la partie intérieure.

Nettoyage du flotteur et du filtre anti-peluches

1. Ouvrir le couvercle du bac d'eau sale.



- ① Flotteur
 - ② Interrupteur à flotteur
 - ③ Filtre anti-peluches
2. Rinçage du flotteur à l'eau claire.
 3. Rinçage de l'interrupteur à flotteur à l'eau claire.
 4. Retirer et nettoyer le filtre anti-peluches.

Remplacement du disque brosse

Remarque

Remplacez les disques brosses lorsque la longueur des poils a atteint 10 mm.

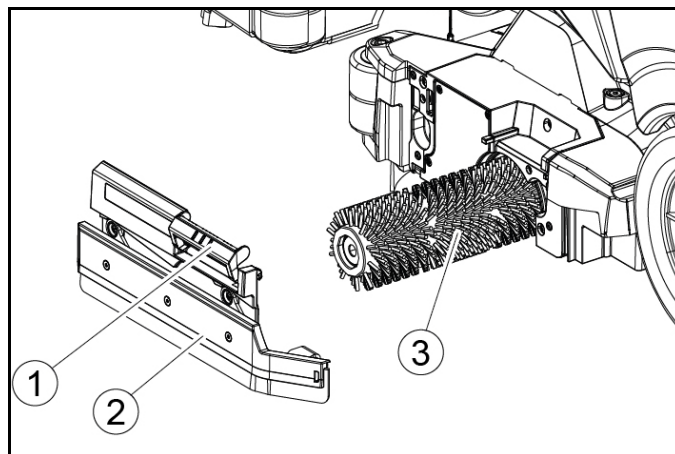
1. Soulever la tête de nettoyage.
2. Pousser la pédale de changement de brosse vers le bas.
3. Retirer le disque brosse sur le côté, sous la tête de nettoyage.
4. Maintenir la nouvelle brosse à vitre sous la tête de nettoyage, appuyer vers le haut et l'enclencher.

Remplacement des brosses-rouleaux

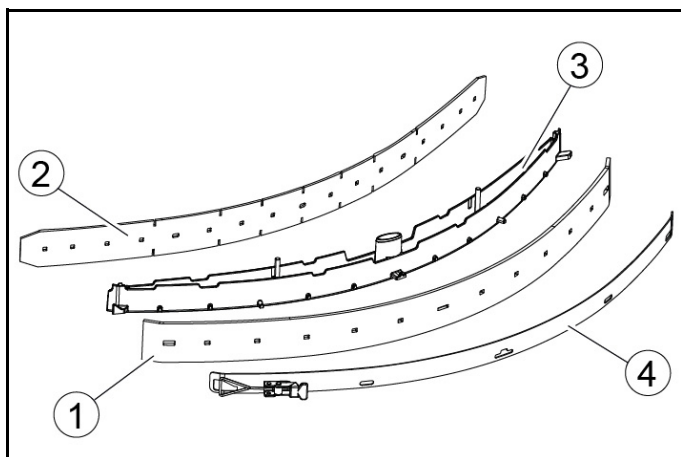
Remarque

Remplacez les brosses-rouleaux lorsque la longueur des poils a atteint 10 mm.

1. Soulever la tête de nettoyage.
2. Retirer la poignée de changement de brosse.



- ① Poignée de changement de brosse
 - ② Couvercle de palier avec joint racleur
 - ③ Brosse-rouleau
3. Retirer le couvercle de palier avec le joint racleur.
 4. Retirer la brosse-rouleau.
 5. Insérer la nouvelle brosse-rouleau et la centrer sur l'entraîneur.
- ① Entraîneur
 - ② Mandrin porte-pièce
6. Poser le couvercle de palier avec le joint racleur.

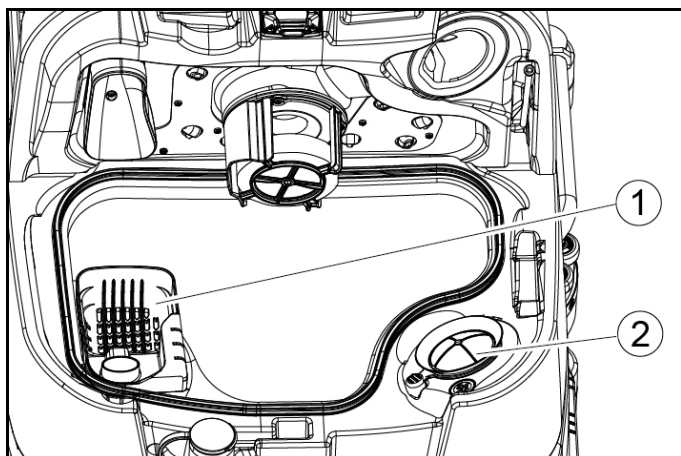


- ① Joint racleur
- ② Lèvre-support
- ③ Partie intérieure du suceur
- ④ Bande de serrage

7. Enfoncer les lèvres d'aspiration tournées ou nouvelles sur les picots de la partie intérieure du suceur.
8. Poser la bande de serrage.
9. Pousser la partie intérieure du suceur dans la partie supérieure.
10. Visser et serrer les poignées étoiles.

Nettoyage du tamis des déchets volumineux

1. Ouvrir le couvercle du bac d'eau sale.



- ① Filtre à impuretés grossières
- ② Filtre anti-peluches

2. Sortir le filtre à impuretés grossières vers le haut.
3. Rincer le filtre à impuretés grossières sous l'eau courante.
4. Insérer le filtre à impuretés grossières dans le bac d'eau sale.

Remarque

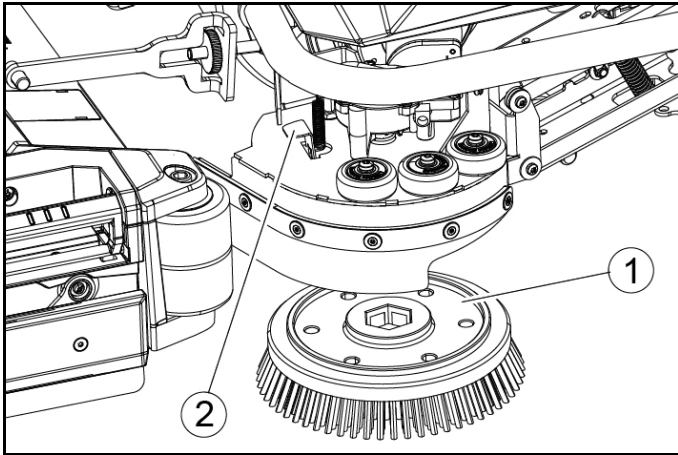
S'assurer que la brosse-rouleau se trouve sur le mandrin de porte-pièce et non en dessous.

7. Faire pivoter la poignée de changement de brosse vers le haut et l'enclencher.

8. Répéter la procédure du côté opposé.

Remplacement de la brosse de lavage latérale (option)

1. Pousser le levier de changement de brosse vers le bas.



① Brosse de lavage latérale

② Levier de changement de brosse

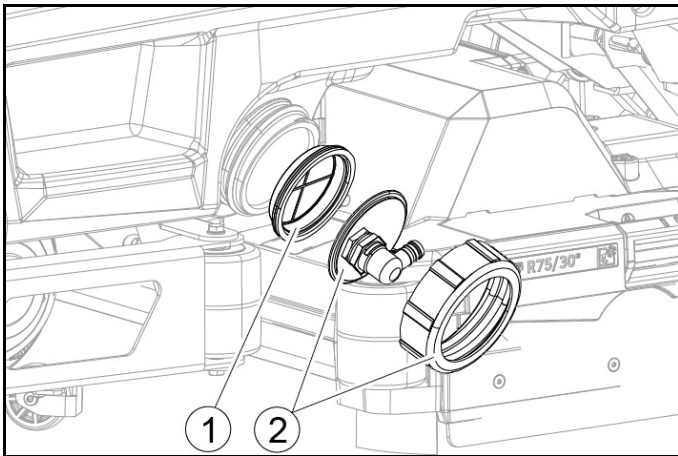
La brosse tombe de la fixation.

2. Maintenir la nouvelle brosse sous la brosse de lavage latérale, l'appuyer vers le haut et l'enclencher.

Nettoyer le filtre d'eau propre

1. Vidanger l'eau propre (voir le chapitre « Vidange de l'eau propre »).

2. Dévisser la fermeture du réservoir d'eau propre.



① Filtre d'eau propre

② Fermeture du réservoir d'eau propre

3. Sortir le filtre d'eau propre et le rincer à l'eau claire.

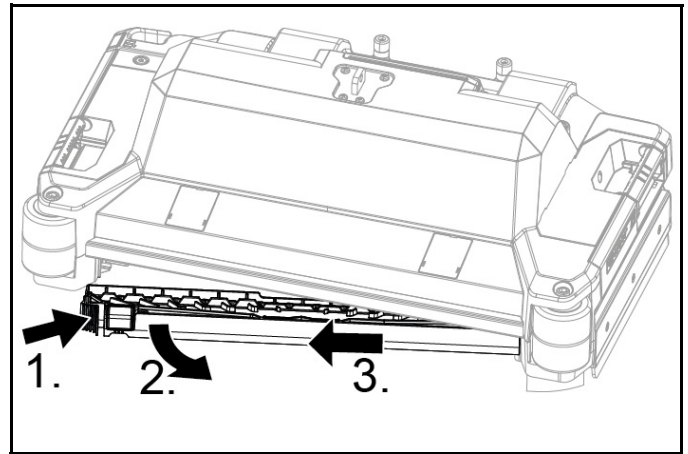
4. Insérer le filtre d'eau propre.

5. Poser la fermeture du réservoir d'eau propre.

Remarque : Veiller à ce que le raccord de flexible dans la fermeture du réservoir d'eau propre soit placé au point le plus bas après le vissage.

Nettoyage de la règle de distribution d'eau

1. Appuyer sur le déverrouillage dans le sens de la flèche et le maintenir.



2. Faire pivoter la règle de distribution d'eau vers l'avant.
3. Retirer la règle de distribution d'eau dans le sens de la longueur.

4. Nettoyer la règle de distribution d'eau.

5. Réinsérer la règle de distribution d'eau dans la tête de nettoyage et enclencher le verrouillage.

Nettoyage des batteries

1. Porter des lunettes de protection, des vêtements de protection et des gants de protection.

2. Garder les bouchons de cellule des batteries fermés.

3. Démontez les batteries.

4. Nettoyer les pièces en plastique des batteries et le compartiment de batterie uniquement avec de l'eau ou des chiffons de nettoyage imbibés d'eau sans additifs.

5. Sécher les surfaces après le nettoyage.

6. Remonter les batteries.

Réinitialiser le compteur de maintenance

Si un travail de maintenance affiché à l'écran a été exécuté, le compteur de maintenance correspondant doit alors être réinitialisé.

Remarque

La réinitialisation des compteurs de maintenance est décrite dans le chapitre « Clé intelligente grise ».

Dépannage en cas de défaut

⚠ DANGER

L'appareil peut démarrer de manière intempestive

Les personnes travaillant sur l'appareil peuvent être blessées. Débranchez la clé intelligente avant de réaliser un quelconque travail sur l'appareil.

Débranchez la fiche secteur du chargeur interne de la prise de courant avant de réaliser un quelconque travail.

Débranchez la fiche de la batterie avant de réaliser un quelconque travail.

1. Vidanger l'eau sale.

2. Vidanger l'eau propre restante.

Remarque

Si le défaut ne peut pas être résolu avec les instructions suivantes, contacter le service après-vente.

Défauts avec indication

Si le défaut affiché ne figure pas sur la liste suivante, procéder comme suit :

1. Tourner le programmeur en position « OFF ».

2. attendre 10 secondes.

3. Régler le programmeur sur la fonction précédente.

4. En cas de réapparition du défaut, contacter le service après-vente.

Défaut	Solution
Rés. eau prop. vide !	1. Remplir le réservoir d'eau propre
Vanne eau bloquée	1. Régler le programmeur sur « OFF ». 2. attendre 10 secondes. 3. Régler le programmeur sur le programme souhaité.
Surch. bros. princ. !	1. Réduire la pression d'appui des brosses.
Brosse princ. bloquée	1. Vérifier qu'aucun corps étranger ne bloque les brosses, retirer éventuellement le corps étranger. 2. Régler le programmeur sur « OFF ». 3. attendre 10 secondes. 4. Régler le programmeur sur le programme souhaité.
Surch. brosse lat. !	1. Réduire la pression d'appui de la brosse de lavage latérale.
Brosse lat. bloquée	1. Vérifier qu'aucun corps étranger ne bloque la brosse, retirer le corps étranger si besoin. 2. Régler le programmeur sur « OFF ». 3. attendre 10 secondes. 4. Régler le programmeur sur le programme souhaité.
Rés. eau usée plein !	1. Vider le bac d'eau sale.
Surch. mot. tract. !	1. L'inclinaison est trop importante. a Lors de l'opération de nettoyage : interrompre le nettoyage. b Lors de la course de transport : chercher un trajet avec une inclinaison plus faible.
Mot. tract. bloqué !	1. Vérifier que les roues ne sont pas bloquées, retirer les corps étrangers. 2. Régler le programmeur sur « OFF ». 3. Si le moteur de traction a surchauffé, le laisser refroidir pendant au moins 15 minutes, sinon attendre 10 secondes. 4. Régler le programmeur sur le programme souhaité.
Niveau batt. faible !	1. Régler le programmeur sur Transport. 2. Conduire l'appareil directement vers le chargeur (ou vers la prise de courant en cas de chargeur interne). Éviter les inclinaisons. 3. Charger la batterie.
Batterie vide !	1. Régler le programmeur sur Transport. 2. Conduire l'appareil vers le chargeur (ou vers la prise de courant en cas de chargeur interne) par le chemin le plus court. Éviter les inclinaisons. 3. Charger la batterie.
Fermer cont. siège	1. Relâchez brièvement le siège du conducteur pour que la commande puisse vérifier le fonctionnement de l'interrupteur de contact du siège.
Mettre en marche !	1. Mettre l'interrupteur de sécurité sur « 1 ».
Redémarrer machine !	1. Régler le programmeur sur « OFF ». 2. attendre 10 secondes. 3. Régler le programmeur sur le programme souhaité.
Débloquer manette !	1. Relâcher la pédale d'accélération.

Défauts sans affichage à l'écran

Défaut	Solution
Impossible de démarrer l'appareil	1. Prendre place sur le siège. 2. Avant d'activer l'interrupteur de sécurité, retirer le pied de la pédale d'accélération. 3. Mettre l'interrupteur de sécurité sur « 1 ». 4. Vérifier les batteries, les charges si besoin. 5. Régler le programmeur sur « OFF ». 6. attendre 10 secondes. 7. Régler le programmeur sur le programme souhaité. 8. Si possible, ne conduire l'appareil que sur une surface plane. 9. Vérifier éventuellement le frein de stationnement. Si le défaut apparaît quand même, appeler le service après-vente.
L'appareil ne fonctionne plus, l'écran affiche « Batterie vide ! »	1. Régler le programmeur sur « OFF ». 2. attendre 10 secondes. 3. Régler le programmeur sur « Transport ». 4. Conduire jusqu'à la station de recharge. 5. Si l'appareil ne bouge toujours pas, charger la batterie sur place ou déverrouiller le frein (voir « Fonctionnement/Pousser l'appareil ») et pousser l'appareil vers la station de charge.

Défaut	Solution
L'appareil se déplace de manière irrégulière (saccades) au démarrage et à l'arrêt.	1. Enlever le déverrouillage du frein (voir « Fonctionnement/Pousser l'appareil »).
L'affichage de l'eau propre indique un niveau de remplissage erroné après la vidange manuelle du réservoir	1. Utiliser le dispositif. Pendant le fonctionnement, le système de tuyaux se purge et l'indicateur de niveau se corrige.
La barre de l'indicateur de niveau de remplissage clignote, affichage « Rés. eau prop. vide ! »	1. Remplir le réservoir d'eau propre.
La quantité d'eau est insuffisante	<ol style="list-style-type: none"> 1. Vérifier le niveau de remplissage de l'eau propre, remplir éventuellement le réservoir complètement afin d'évacuer l'air. 2. Retirer et nettoyer le filtre d'eau propre. 3. Insérer le filtre et visser la fermeture. 4. Tête de nettoyage R uniquement : retirer la règle de distribution d'eau sur la tête de nettoyage. 5. Tête de nettoyage R uniquement : nettoyer le canal d'eau. 6. Vérifier les éventuels colmatages des flexibles, les nettoyer si besoin.
La puissance d'aspiration est trop faible	<ol style="list-style-type: none"> 1. Nettoyer les joints entre le bac d'eau sale et le couvercle et en vérifier l'étanchéité, les remplacer si besoin. 2. Vérifier l'encrassement du filtre anti-peluches, le nettoyer si besoin. 3. Nettoyer les lèvres d'aspiration sur la barre d'aspiration, les retourner ou remplacer si besoin. 4. Fermer le couvercle sur le flexible de vidange de l'eau sale. 5. Fermer le couvercle du système de rinçage du bac d'eau sale. 6. Vérifier les éventuels colmatages du flexible d'aspiration, le nettoyer si besoin. 7. Vérifier l'étanchéité du flexible d'aspiration, le remplacer si besoin. 8. Vérifier le réglage de la barre d'aspiration.
Le résultat de nettoyage est insuffisant	<ol style="list-style-type: none"> 1. Régler le programme de nettoyage adapté à la tâche de nettoyage. 2. Utiliser des brosses appropriées pour la tâche de nettoyage. 3. Utiliser un détergent approprié pour la tâche de nettoyage. 4. Réduire la vitesse. 5. Régler la pression d'appui. 6. Régler les joints racleurs. 7. Vérifier l'usure de la brosse et la remplacer éventuellement. 8. Vérifier l'évacuation de l'eau.
Les brosses ne tournent pas	<ol style="list-style-type: none"> 1. Réduire la pression d'appui. 2. Vérifier qu'aucun corps étranger ne bloque les brosses, retirer éventuellement le corps étranger. 3. Si le moteur est surchargé, le laisser refroidir. 4. Régler le programmeur sur « OFF ». 5. attendre 10 secondes. 6. Régler le programmeur sur le programme souhaité. 7. Vérifier si la fiche de l'appareil est branchée sur la tête de nettoyage.
L'appareil ne freine pas	1. Enlever le déverrouillage du frein (voir « Fonctionnement/Pousser l'appareil »).
Le flexible de vidange de l'eau sale est bouché	<ol style="list-style-type: none"> 1. Ouvrir le couvercle du dispositif de dosage sur le flexible de vidange. 2. Retirer le tuyau d'aspiration du suceur et le fermer à la main. 3. Régler le programmeur sur « Aspiration ». <p>Le bouchage est aspiré du flexible de vidange dans le bac d'eau sale.</p>
Le dosage du détergent (dose) ne fonctionne pas	1. Version dose uniquement : appeler le service après-vente.

Caractéristiques techniques

		B 110 R 65	B 110 D 65	B 110 R 75	B 110 D 75
Généralités					
Vitesse de conduite/nettoyage	km/h	6	6	6	6
Vitesse de transport	km/h	6	6	6	6
Vitesse de déplacement arrière	km/h	4	4	4	4
Rendement surfacique théorique	ft ² /h (m ² /h)	41979 (3900)	41979 (3500)	48438 (4500)	48438 (4500)
Rendement surfacique théorique avec brosse de lavage latérale	ft ² /h (m ² /h)	-	-	54896 (5100)	54896 (5100)
Rendement surfacique pratique	ft ² /h (m ² /h)	29385 (2730)	29385 (2730)	33906 (3150)	33906 (3150)
Volume du réservoir d'eau propre	gal (l)	29 (110)	29 (110)	29 (110)	29 (110)
Volume du bac d'eau sale	gal (l)	29 (110)	29 (110)	29 (110)	29 (110)
Volume du réservoir d'impuretés grossières	gal (l)	0,4 (1,6)	-	0,5 (1,8)	-
Volume du bac à détergent (option dose)	gal (l)	1,3 (5)	1,3 (5)	1,3 (5)	1,3 (5)
Dosage du détergent	%	0,25...3	0,25...3	0,25...3	0,25...3
Dosage de l'eau	gpm (l/min)	0,04...1,5 (0,15...5,7)	0,04...1,5 (0,15...5,7)	0,04...1,5 (0,15...5,7)	0,04...1,5 (0,5...5,7)
Charge surfacique (avec conducteur et réservoir d'eau propre plein)					
Pression de surface	N/mm ²	0,62...0,66	0,62...0,66	0,62...0,66	0,62...0,66
Charge surfacique (poids/surface de stationnement)	kg/m ²	470...542	470...524	470...542	470...542
Dimensions					
Longueur	ft (mm)	5,38 (1640)	5,38 (1640)	5,38 (1640)	5,38 (1640)
Largeur	ft (mm)	2,43 (740)	2,43 (740)	2,43 (740)	2,43 (740)
Largeur du suceur	ft (mm)	3,12 (950)	3,12 (950)	3,12 (950)	3,12 (950)
Hauteur	ft (mm)	4,30 (1310)	4,30 (1310)	4,30 (1310)	4,30 (1310)
Largeur de travail	ft (mm)	2,13 (650)	2,13 (650)	2,46 (750)	2,46 (750)
Largeur de travail avec brosse de lavage latérale	ft (mm)	-	-	2,79 (850)	2,79 (850)
Dimensions de l'emballage L x l x h	ft (mm)	5,74x3,25x4,84 (1750x990x1475)	5,74x3,25x4,84 (1750x990x1475)	5,74x3,25x4,84 (1750x990x1475)	5,74x3,25x4,84 (1750x990x1475)
Rayon de braquage	ft (mm)	5,74 (1750)	5,74 (1750)	5,74 (1750)	5,74 (1750)
Dimensions du compartiment pour batteries L x l x h	ft (mm)	2x(1,03x1,27x1,23) (2x(315x386x375))	2x(1,03x1,27x1,23) (2x(315x386x375))	2x(1,03x1,27x1,23) (2x(315x386x375))	2x(1,03x1,27x1,23) (2x(315x386x375))
Pneus					
Roue avant, largeur	ft (mm)	0,30 (90)	0,30 (90)	0,30 (90)	0,30 (90)
Roue avant, diamètre	ft (mm)	0,82 (250)	0,82 (250)	0,82 (250)	0,82 (250)
Roue arrière, largeur	ft (mm)	0,25 (75)	0,25 (75)	0,25 (75)	0,25 (75)
Roue arrière, diamètre	ft (mm)	0,95 (290)	0,95 (290)	0,95 (290)	0,95 (290)
Poids					
Poids total autorisé	lbs (kg)	1433 (650)	1433 (650)	1433 (650)	1433 (650)
Poids à vide (poids de transport)	lbs (kg)	1058 (480)	1058 (480)	1058 (480)	1058 (480)
Poids opérationnel typique	lbs (kg)	1190 (540)	1190 (540)	1190 (540)	1190 (540)
Force d'appui au sol de la brosse, max.	N (kg)	736 (75)	736 (75)	736 (75)	736 (75)
Pression d'appui au sol de la brosse, max.	N/m ² (g/cm ²)	581 (570)	51 (50)	510 (500)	41 (40)
Caractéristiques de puissance de l'appareil					
Tension nominale	V	24	24	24	24
Capacité de la batterie	Ah (5 h)	170 / 285	170 / 285	170 / 285	170 / 285
Puissance moyenne absorbée	hp (W)	3,15 (2350)	3,15 (2350)	3,15 (2350)	3,15 (2350)
Puissance nominale	hp (W)	3,35 (2500)	3,35 (2500)	3,35 (2500)	3,35 (2500)
Puissance du moteur de traction	hp (W)	0,80 (600)	0,80 (600)	0,80 (600)	0,80 (600)
Puissance de la turbine d'aspiration	hp (W)	0,80 (600)	0,80 (600)	0,80 (600)	0,80 (600)
Puissance de l'entraînement de la brosse	hp (W)	2 x 0,80 (2 x 600)	2 x 0,80 (2 x 600)	2 x 0,80 (2 x 600)	2 x 0,80 (2 x 600)
Type de protection		IPX3	IPX3	IPX3	IPX3
Aspiration					
Puissance d'aspiration, débit d'air	CFM (l/s)	~53 (~25)	~53 (~25)	~53 (~25)	~53 (~25)
Dépression (max.)	psi (bar)	~2,47 (~0,17)	~2,47 (~0,17)	~2,47 (~0,17)	~2,47 (~0,17)
Dépression (en fonctionnement)	psi (bar)	~0,73 (~0,05)	~0,73 (~0,05)	~0,73 (~0,05)	~0,73 (~0,05)
Brosses de nettoyage					
Diamètre de la brosse	ft (mm)	0,33 (100)	1,16 (355)	0,33 (100)	1,26 (385)
Longueur de brosse	ft (mm)	1,98 (605)	-	2,31 (705)	-
Vitesse de rotation de la brosse	1/min	1200	180	1200	180
Diamètre de la brosse de lavage latérale	ft (mm)	-	-	0,72 (220)	0,72 (220)
Vitesse de rotation de la brosse de lavage latérale	1/min	-	-	220	220

		B 110 R 65	B 110 D 65	B 110 R 75	B 110 D 75
Chargeur rapide interne (version lithium-ion uniquement)					
Tension nominale	V	100...240	100...240	100...240	100...240
Fréquence	Hz	50-60	50-60	50-60	50-60
Puissance absorbée	hp (W)	1,75 (1100)	1,75 (1100)	1,48 (1100)	1,75(1100)
Courant de charge	A	35	35	35	35
Chargeur interne					
Longueur de câble	ft (m)	6,5 (2)	6,5 (2)	6,5 (2)	6,5 (2)
Tension nominale	V	100...240	100...240	100...240	100...240
Fréquence	Hz	50-60	50-60	50-60	50-60
Puissance absorbée	hp (W)	1 (750)	1 (750)	1 (750)	1 (750)
Courant de charge	A	28	28	28	28
Degré d'efficacité	%	92	92	92	92
Conditions ambiantes					
Plage de températures autorisée	°F (°C)	41...104 (5...40)	41...104 (5...40)	41...104 (5...40)	41...104 (5...40)
Température max. de l'eau	°F (°C)	122 (50)	122 (50)	122 (50)	122 (50)
Pression de l'eau du système de remplissage (en option)	psi (bar)	145 (10)	145 (10)	145 (10)	145 (10)
Pression de l'eau du système de rinçage du bac d'eau sale (en option)	psi (bar)	145 (10)	145 (10)	145 (10)	145 (10)
Humidité de l'air relative	%	20...90	20...90	20...90	20...90
Inclinaison					
Inclinaison max. de la zone de travail	%	10	10	10	10
Inclinaison courte distance (max. 10 m) transport, chargement	%	22	22	22	22
Valeurs déterminées selon EN 60335-2-72					
Valeur de vibrations main-bras	m/s ²	<2,5	<2,5	<2,5	<2,5
Valeur de vibrations siège	m/s ²	<0,5	<0,5	<0,5	<0,5
Incertitude K	dB(A)	0,2	0,2	0,2	0,2
Niveau de pression acoustique L _{pA} mode Eco	dB(A)	59,2	59,2	59,2	59,2
Niveau de pression acoustique L _{pA} fonctionnement normal	dB(A)	63,6	63,6	63,6	63,6
Incertitude K _{pA}	dB(A)	1,6	1,6	1,6	1,6
Niveau de puissance acoustique L _{WA} + incertitude K _{WA} mode Eco	dB(A)	74,1	74,1	74,1	74,1
Niveau de puissance acoustique L _{WA} + incertitude K _{WA} fonctionnement normal	dB(A)	78,7	78,7	78,7	78,7
Brosse de lavage latérale					
Puissance	hp (W)	-	-	0,19 (140)	0,19 (140)
Force d'appui au sol de la brosse, max.	N (kg)	-	-	88 (9)	88 (9)
Pression d'appui au sol de la brosse, max.	N/m ² (g/cm ²)	-	-	30,6 (30)	30,6 (30)

Sous réserve de modifications techniques.

Accessoires et pièces de rechange

Utiliser exclusivement des accessoires et pièces de rechange originaux. Ceux-ci garantissent le fonctionnement sûr et sans défaut de votre appareil.

Des informations sur les accessoires et pièces de rechange sont disponibles sur le site Internet www.kaercher.com.

Accessoire tête de nettoyage avec brosses-rouleaux

A : Unité d'emballage, B : nombre requis par l'appareil

Désignation	R 65 N° de pièce	R 75 N° de pièce	Description	A	B
Brosse-rouleau, rouge (moyenne, standard)	4.035-604.0	4.035-605.0	Pour le nettoyage d'entretien de sols même très encrassés.	1	2
Brosse-rouleau, blanche (douce)	6.907-770.0	6.907-771.0	Pour le lustrage et le nettoyage d'entretien de sols fragiles.	1	2
Brosse-rouleau, orange (haute/profonde)	6.907-726.0	6.907-730.0	Pour le récurage de sols structuraux (dalles de sécurité, etc.).	1	2
Brosse-rouleau, verte (dure)	6.907-727.0	6.907-731.0	Pour le nettoyage puissant de sols très encrassés et pour la désincrustation (par ex. cires, acrylates).	1	2
Brosse-rouleau, noire (très dure)	6.907-728.0	6.907-732.0		1	2
Rouleau en microfibre	4.114-054.0	4.114-007.0	Pour le nettoyage d'entretien des sols lisses.	1	2
Axe pour rouleau pad	4.762-626.0	4.762-627.0	Pour le support de rouleaux pads.	1	2
Rouleau pad, jaune (doux)	6.369-454.0	6.369-454.0	Pour le polissage de sols	20	96 ; 106
Rouleau pad, rouge (moyen)	6.369-456.0	6.369-456.0	Pour le nettoyage de sols légèrement encrassés.	20	96 ; 106
Rouleau pad, vert (dur)	6.369-455.0	6.369-455.0	Pour le nettoyage de sols normalement encrassés à très encrassés.	20	96 ; 106

Accessoire tête de nettoyage avec disques brosses

A : Unité d'emballage, B : nombre requis par l'appareil

Désignation	D 65 N° de pièce	D 75 N° de pièce	Description	A	B
Brosse à vitre, nature (douce)	4.905-012.0	4.905-020.0	Pour le lustrage de sols.	1	2
Disque brosse, blanc	4.905-011.0	4.905-019.0	Pour le lustrage et le nettoyage d'entretien de sols fragiles.	1	2
Brosse à vitre, rouge (moyenne, standard)	4.905-010.0	4.905-018.0	Pour le nettoyage de sols peu encrassés ou fragiles.	1	2
Brosse à vitre, noire (dure)	4.905-013.0	4.905-021.0	Pour le nettoyage de sols très encrassés.	1	2
Pad diamant fin, vert	6.371-235.0	6.371-236.0	Pour rafraîchir les revêtements contenant de la chaux et les sols recouverts de résine époxy.	5	2
Pad diamant grossier, blanc	6.371-250.0	6.371-252.0		5	2
Pad diamant moyen, jaune	6.371-251.0	6.371-253.0		5	2
Porte-disque de pad	4.762-446.0	4.762-447.0	Pour le support de pads.	1	2

Accessoire suceur

A : Unité d'emballage, B : nombre requis par l'appareil

Désignation	N° de pièce	Description	A	B
Jeu de lèvres d'aspiration, avant en PU (rouge), arrière en Linatex	4.039-366.0	Standard	Paire	1 paire
Jeu de lèvres d'aspiration, Linatex	4.039-356.0	Indéchirable	Paire	1 paire
Jeu de lèvres d'aspiration, PU	4.039-357.0	Résistant à l'huile	Paire	1 paire

Garantie

Les conditions de garantie publiées par notre société commerciale compétente s'appliquent dans chaque pays.

Nous remédions gratuitement aux défauts possibles sur votre appareil dans la durée de garantie dans la mesure où la cause du défaut est un vice de matériau ou de fabrication. En cas de garantie, veuillez vous adresser à votre distributeur ou au point de service après-vente autorisé le plus proche avec la facture d'achat.

(Voir l'adresse au dos)

Vous trouverez d'autres informations de garantie (le cas échéant) dans la zone de service de votre site Internet Kärcher local sous « Téléchargements ».

Índice de contenidos

INSTRUCCIONES DE SEGURIDAD IMPORTANTES	55
CUALIFICACIÓN DE LOS OPERARIOS.....	56
FORMACIÓN DE LOS OPERARIOS	56
PRUEBA, NUEVA FORMACIÓN Y USO	57
NORMAS Y PRÁCTICAS DE LA SEGURIDAD OPERACIONAL.....	57
ACTIVIDADES DE MANTENIMIENTO Y RESTAURACIÓN	59
NORMA DE SEGURIDAD CONTRA INCENDIOS	59
Servicio al cliente.....	60
Instrucciones de seguridad.....	60
Función.....	61
Uso previsto.....	61
Protección del medioambiente.....	62
Alcance de suministro.....	62
Descripción del equipo.....	63
Montaje.....	65
Puesta en funcionamiento.....	67
Funcionamiento.....	68
Finalización del servicio.....	71
Intelligent Key gris.....	72
Transporte.....	73
Almacenamiento.....	74
Conservación y mantenimiento.....	74
Ayuda en caso de fallos.....	77
Datos técnicos.....	80
Accesorios y repuestos.....	81
Garantía.....	82

INSTRUCCIONES DE SEGURIDAD IMPORTANTES

Al utilizar el equipo, deben tenerse en cuenta todas las precauciones básicas de seguridad, entre las que se incluyen las siguientes:

LEA TODAS LAS INSTRUCCIONES ANTES DE UTILIZAR ESTA MÁQUINA

⚠ ADVERTENCIA

- Peligro de choques eléctricos, incendios o lesiones
- No dejar el equipo sin supervisión si el conector está conectado.
- Desenchufar cuando no esté en uso y antes de revisar.
- Utilice el equipo solo en interiores.
- El equipo no es un juguete. Es necesario prestar especial atención si utiliza el equipo en presencia de niños.
- Usar exclusivamente como se describe en este manual. Utilice únicamente el accesorio recomendado por el fabricante.
- No lo utilice si el enchufe o el cable de la salida del cargador de baterías están dañados. En caso de que el dispositivo no funcione correctamente, de que se haya caído, estropeado, dejado al aire libre o se haya sumergido en agua, el servicio de postventa debe realizar comprobaciones en el equipo antes de utilizarlo.
- No tire del cable de carga del cargador, y no lo utilice como asa para transportar el equipo, no comprima el cable de carga del cargador en una puerta ni lo arrastre por bordes o esquinas afilados. No pase el equipo por encima del cable de carga del cargador. Mantenga el cable del cargador alejado de superficies calientes.

- No desconecte el cargador de la toma de corriente tirando del cable de carga del cargador. Desconecte el aparato de la red eléctrica tirando del enchufe.
- No toque el cargador ni el equipo si tiene las manos mojadas.
- Nunca inserte objetos en las aberturas del equipo. No utilice el equipo si las aberturas están bloqueadas. Mantenga las aberturas libres de pelusas, pelos y polvo, así como todo lo que obstaculice el flujo de aire.
- Desconecte el equipo antes de desenchufar el conector de red.
- Mantenga el cabello, la ropa suelta, los dedos y todas las partes del cuerpo lejos de aberturas y partes móviles.
- Tenga cuidado al utilizar el equipo en escaleras.
- No utilice el equipo para recoger líquidos inflamables o combustibles, como gasolina, ni utilice el equipo en zonas donde pueda haber líquidos.
- Conecte el equipo únicamente a una toma de corriente debidamente puesta a tierra (véase el capítulo *Normas de puesta a tierra*).

CUIDADO

- Este equipo cumple con la sección 15 de las normas de la FCC y con la licencia de Industry Canada, salvo la norma RSS.

El servicio se lleva a cabo bajo las siguientes dos condiciones:

- 1 Este equipo no debe causar interferencias perjudiciales.
- 2 Este equipo debe poder aceptar cualquier interferencia recibida, incluso las que puedan causar un servicio no deseado.

CUIDADO

- Los cambios o modificaciones al equipo que no hayan sido aprobados expresamente por KÄRCHER anularán la aprobación de la FCC para el funcionamiento de este equipo.

Nota

- Este equipo ha sido probado y cumple con los valores límite para un equipo digital de clase B, de acuerdo con la sección 15 de las normas de la FCC.
- Estos valores límite están diseñados para ofrecer una protección adecuada contra interferencias perjudiciales en áreas residenciales.
- Este equipamiento genera, usa y puede irradiar corriente de alta frecuencia. Si no se instala y utiliza de acuerdo con las instrucciones, el equipo puede causar interferencias perjudiciales en la radiocomunicación.
- Sin embargo, no existe garantía de que no se vayan a producir interferencias en determinadas aplicaciones.
- Si el equipo causa una interferencia perjudicial en la recepción de radio o televisión, lo cual se puede determinar encendiendo y apagando el equipo, le recomendamos que corrija la interferencia mediante una o varias de las siguientes medidas:
 - Cambie la orientación o ubicación de la antena receptora.
 - Aumente la separación que existe entre el equipo y el receptor.
 - Conecte el equipo a una toma de corriente de un circuito diferente al que está conectado el receptor.
 - Póngase en contacto con un distribuidor de una tienda especializada o con un técnico de radio o televisión con experiencia.

GUARDAR ESTAS INSTRUCCIONES

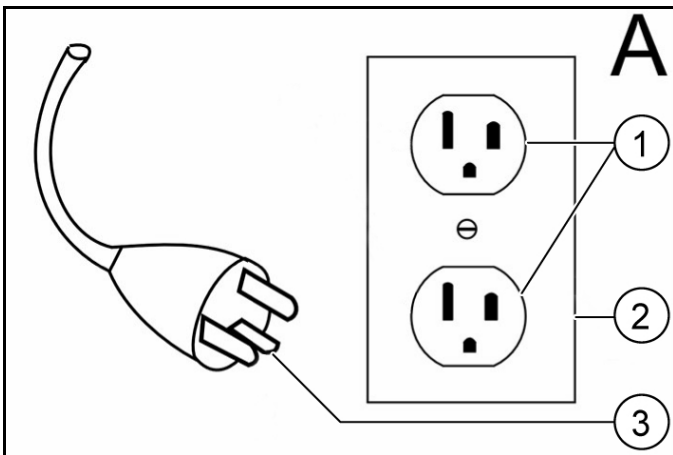
Normas de puesta a tierra

- Este equipo debe ponerse a tierra. Si se produce una avería o una caída, la puesta a tierra ofrece un camino de menor resistencia para la corriente eléctrica, para disminuir el peligro de choques eléctricos.
- Este equipo está equipado con un cable de conexión de red con conductor de tierra y un conector Schuko.
- El conector debe estar conectado a una toma de tierra adecuada que esté instalada y puesta a tierra correctamente conforme a todas las normativas locales.

⚠ ADVERTENCIA

- Una conexión indebida del conductor de tierra del equipo puede provocar peligro de choques eléctricos.
- Ponerse en contacto con un electricista o un representante del servicio de postventa si hay dudas sobre como poner a tierra correctamente la toma de corriente.
- No modifique el enchufe suministrado del aparato.
- Si el conector no coincide con la toma de corriente, el electricista debe instalar una toma de corriente adecuada.
- Este equipo está aprobado para su uso en un circuito de 120 V y cuenta con un conector como el que se muestra en la figura A.
- Asegúrese de que el equipo esté enchufado a una toma de corriente que tenga la misma configuración que el conector.
- No utilice adaptadores con este equipo.

CONECTAR EL EQUIPO ÚNICAMENTE A UNA TOMA DE CORRIENTE PUESTA A TIERRA DEBIDAMENTE



- ① Toma de corriente con puesta a tierra
- ② Carcasa de la toma de corriente con puesta a tierra
- ③ Clavija de tierra

CUALIFICACIÓN DE LOS OPERARIOS

Solo las personas capacitadas y autorizadas pueden manejar el limpiador de suelos eléctrico. Los operarios que utilicen limpiadores de suelos eléctricos deben estar calificados y contar con capacidades visuales, acústicas, físicas y mentales para manejar el equipo de manera segura.

FORMACIÓN DE LOS OPERARIOS

El personal que no cuente con formación sobre el servicio de limpiadores de suelos eléctricos solo podrá manejar un limpiador de suelos con fines de formación y bajo la supervisión directa del formador. Esta formación debe realizarse en una zona alejada de otros camiones, obstáculos y peatones.

El programa de formación de operarios debe abordar la directiva para usuarios del lugar donde el aprendiz manejará el limpiador de suelos, las condiciones de funcionamiento de ese lugar y el limpiador de suelos específico que manejará el aprendiz. El programa de formación debe presentarse a todos los operarios nuevos independientemente de su experiencia previa.

La formación debe informar al aprendiz sobre los siguientes puntos:

- 1 La responsabilidad principal del operario es usar el limpiador de suelos eléctrico de manera segura, de acuerdo con las instrucciones de empleo que se indican en el programa de formación.
- 2 El servicio inseguro o incorrecto de un limpiador de suelos eléctrico puede tener las siguientes consecuencias: Muerte o lesiones graves al operario u otras personas; daño al limpiador de suelos eléctrico u otros objetos.

El programa de formación debe destacar el servicio seguro y adecuado para impedir lesiones al operario y a otras personas, así como para evitar daños materiales, y debe cubrir los siguientes temas:

- 1 Los conceptos básicos de los limpiadores de suelos eléctricos que utilizará el aprendiz:
 - Las características de los limpiadores de suelos eléctricos, incluidas las diferencias entre los limpiadores de suelos eléctricos en el lugar de trabajo.
 - Las similitudes y diferencias con los automóviles.
 - El significado de los datos de la placa de características, avisos e instrucciones de empleo colocados sobre el limpiador de suelos eléctrico.
 - El manual y las advertencias del manual del limpiador de suelos eléctrico y las instrucciones de empleo para la inspección y el mantenimiento que debe realizar el operario.
 - El tipo de motor y sus propiedades.
 - El método de dirección.
 - El método de frenado y sus características.
 - La visibilidad hacia delante y hacia atrás.
 - Las características de estabilidad con y sin carga, y con y sin accesorios.
 - Las posiciones de los elementos de control, la función, el tipo de servicio, la identificación de símbolos.
 - La carga de la batería.
 - Los dispositivos de protección para el limpiador de suelos eléctrico específico que se pueden desactivar y los que no se pueden desactivar.
 - Otras propiedades del limpiador de suelos eléctrico específico.
- 2 El entorno de funcionamiento y sus efectos sobre el servicio del limpiador de suelos eléctrico, incluidos los siguientes puntos:
 - Las condiciones del suelo, incluso las condiciones temporales.
 - Rampas y pendientes.
 - Las estaciones de carga de baterías.
 - Pasillos estrechos, puertas, cables aéreos, tuberías sobre el suelo y otras zonas con espacio limitado.
 - Las zonas en las que se va a manejar el limpiador de suelos eléctrico cerca de otros vehículos industriales, otros vehículos o peatones.
 - El uso y la capacidad de los elevadores.
 - El servicio cerca de rampas de carga o bordes de superficies mejoradas.
 - Otras condiciones de funcionamiento especiales y peligros que puedan surgir.

NORMAS Y PRÁCTICAS DE LA SEGURIDAD OPERACIONAL

Responsabilidad del operario

El servicio seguro es responsabilidad del operario. El operario debe desarrollar hábitos de trabajo seguros y ser consciente de las condiciones peligrosas para protegerse a sí mismo, al resto del personal, al limpiador de suelos eléctrico y al resto del material. El operario debe familiarizarse con el funcionamiento y la función de todos los elementos de control e instrumentos antes de ocuparse del servicio del equipo. Antes de manejar el equipo, los operarios deben leer y familiarizarse con el manual de cada equipo y deben respetar las reglas y prácticas de seguridad que se especifican en los siguientes párrafos. Antes de manejar cualquier equipo, el operario debe estar familiarizado con las condiciones de funcionamiento inusuales que pueden requerir precauciones de seguridad adicionales, así como con las o instrucciones de uso especiales.

Generalidades

Antes de la puesta en funcionamiento del limpiador de suelos eléctrico:

- 1 Parta de la posición de servicio.
- 2 Coloque el controlador de dirección en posición neutra.
- 3 Accione el freno.
- 4 Coloque el interruptor en posición «ON».

No arranque el equipo ni maneje el equipo, sus funciones o accesorios desde una ubicación que no sea la posición especificada para el operario. Mantenga las manos y los pies dentro de la zona designada para el operario o en el compartimiento del equipo. Debe comprender las limitaciones del equipo y utilizar el equipo de forma segura para no causar lesiones al personal. Proteja a los peatones en todo momento.

- 1 No conduzca el limpiador de suelos eléctrico hacia personas que se encuentren frente a un objeto.
- 2 Antes de realizar maniobras de giro, asegúrese de que el personal se mantiene alejado del alcance de giro trasero.
- 3 Se requiere especial precaución en los cruces entre pasillos, puertas y otros lugares donde los peatones pueden interponerse en el camino del limpiador de suelos eléctrico.

No permita que los pasajeros conduzcan con limpiadores de suelos eléctricos a menos que el fabricante haya proporcionado un lugar seguro para ello. Un limpiador de suelos eléctrico se puede supervisar siempre que el operario se encuentre en un rango visual del equipo inferior a 7,6 m (25 ft). El limpiador de suelos eléctrico no podrá supervisarse si el operario se encuentra en un rango visual superior a los 7,6 m (25 ft) del equipo o si el operario abandona el equipo y no se encuentra dentro del rango visual. Antes de abandonar la posición del vehículo:

- 1 Coloque el equipo en parada.
- 2 Coloque el controlador de dirección en posición neutra.
- 3 Accione el freno de estacionamiento.
- 4 Desconecte el motor o el control.
- 5 Si el equipo debe permanecer en una inclinación, se deben bloquear las ruedas.

Mantener la distancia de seguridad con respecto al borde de las rampas, a las plataformas y a superficies de trabajo similares.

- 3 El funcionamiento del limpiador de suelos eléctrico incluye los siguientes puntos:
 - Las pruebas adecuadas antes de cada puesta en funcionamiento y la puesta fuera de servicio autorizada de un limpiador de suelos eléctrico que necesite reparación.
 - La conducción y la conducción en curvas.
 - El procedimiento de estacionamiento y apagado.
 - Otras condiciones de funcionamiento especiales para la aplicación específica.
- 4 Las reglas y prácticas de seguridad operacional, incluidas las siguientes:
 - Las condiciones de esta norma contenidas en el capítulo. **NORMAS Y PRÁCTICAS DE LA SEGURIDAD OPERACIONAL**
 - Otras normas, instrucciones o prácticas del empleador en el lugar donde se usa el limpiador de suelos eléctrico.
- 5 La práctica de formación de la empresa, que incluye los siguientes puntos:
 - Si es posible, se debe practicar el uso del limpiador de suelos eléctrico en una zona que esté separada de otras actividades o del personal del lugar de trabajo.
 - La práctica de formación se llevará a cabo bajo la supervisión del formador.
 - La práctica de formación debe incluir el servicio real o la ejecución simulada de todas las tareas de la empresa, como maniobrar, conducir, detenerse, arrancar y otras actividades en las condiciones que se encuentran al manejar el limpiador de suelos eléctrico.

PRUEBA, NUEVA FORMACIÓN Y USO

- 1 Durante la formación, el empleador debe realizar pruebas de rendimiento y pruebas orales o escritas para medir las habilidades y los conocimientos con los que cuenta el operario a la hora de cumplir con los requisitos de la norma. Los empleadores pueden delegar la realización de tales pruebas a terceros, pero siguen siendo responsables de las mismas. Se realizarán los registros correspondientes.
- 2 Los operarios deben recibir formación nuevamente cuando se introducen nuevos equipos, cuando se actualizan los equipos existentes, cuando se cambian las condiciones de funcionamiento o cuando el rendimiento de un operario no es satisfactorio.
- 3 El usuario es responsable de garantizar el uso seguro del limpiador de suelos eléctrico de acuerdo con las condiciones de esta norma.

Nota

La información sobre la formación del operario se puede obtener de diversas fuentes, como por ejemplo: fabricantes de limpiadores de suelos eléctricos, autoridades gubernamentales que se ocupan de la seguridad de los empleados, asociaciones profesionales de vehículos industriales, organizaciones públicas y privadas y asesores de seguridad.

Si se conducen limpiadores de suelos eléctricos sobre o desde camiones o remolques de largo recorrido, accione los frenos de los camiones o remolques y use cuñas para ruedas u otros dispositivos mecánicos seguros para evitar el movimiento involuntario del camión o del remolque.

Siempre que se suban y bajen limpiadores de suelos eléctricos a semirremolques que no están acoplados a un tractor, es posible que se requieran soportes para evitar que las esquinas se inclinen o se hundan.

Asegúrese de no tocar ninguna instalación aérea como luces, cables, tuberías, sistemas de aspersores, etc.

Informe al supervisor sobre todos los accidentes que involucren al personal, a las estructuras del edificio y el al equipo, o de conformidad con las instrucciones que se le hayan dado.

No utilice accesorios ni realice modificaciones al equipo. No bloquee el acceso a las rutas de escape, a las escaleras o a los extintores.

Circulación

Respete todas las normas de tráfico, incluidos los límites de velocidad permitidos. En condiciones normales de tráfico, conduzca por la derecha. Mantenga la distancia de seguridad con el equipo que se encuentra delante en función de la velocidad de conducción y mantenga el equipo bajo control en todo momento.

Ceda el paso a los peatones y a los vehículos de emergencia, como ambulancias y camiones de bomberos.

No adelante a otro camión en intersecciones, puntos ciegos u otros lugares peligrosos.

En las intersecciones de pasillos y otros lugares donde disminuye la visibilidad, reduzca la velocidad de conducción y haga sonar el dispositivo de advertencia acústica.

Si es posible, cruzar las del ferrocarril en ángulo. No estacione en zonas que se encuentren a menos de 1800 mm (6 ft) del raíl más cercano de una línea de ferrocarril.

Para subir y bajar pendientes, proceda con precaución. Si es posible, evite girar y tenga mucho cuidado en suelos inclinados, rampas o pendientes; conduzca en línea recta, con normalidad, para acercarse y alejarse.

Mantenga una buena visibilidad de la ruta y preste atención al tráfico, al personal y a las distancias de seguridad. Maneje el equipo en condiciones de conducción a una velocidad que permita detenerlo de forma segura.

Cuando arranque, detenga, gire o cambie el sentido del equipo, hágalo de manera suave para no mover la carga o hacer volcar el limpiador de suelos eléctrico.

No haga acrobacias ni cometa temeridades.

Reduzca la velocidad de conducción en suelos mojados y resbaladizos.

Antes de pasar sobre una rejilla o la superficie de un puente, asegúrese de que estas superficies están aseguradas correctamente. Conduzca con cuidado y lentamente sobre la rejilla o la superficie del puente y nunca exceda la capacidad de carga.

No conduzca el limpiador de suelos eléctrico en un ascensor a menos que esté expresamente autorizado. Acérquese lentamente al ascensor y, a continuación, suba a la cabina del ascensor cuando esta se haya nivelado correctamente. Tan pronto como esté en el ascensor, coloque los elementos de control en punto muerto, apague la corriente y aplique los frenos. Es aconsejable que todas las demás personas se bajen del ascensor antes de entrar o salir con el limpiador de suelos eléctrico.

Al tomar una curva, reduzca la velocidad a un nivel seguro que sea compatible con el entorno operativo. Toma las curvas con cuidado. Excepto cuando maniobre a muy baja velocidad, gire el mecanismo de dirección de manera moderada y uniforme.

El servicio de un limpiador de suelos eléctrico requiere aspectos de seguridad especiales como los siguientes:

- 1 Un limpiador de suelos eléctrico puede volcar si el operario no reduce la velocidad a una velocidad segura antes de tomar una curva. A continuación, se presentan algunas señales que indican que un camión se está conduciendo a una velocidad excesiva durante las maniobras de viraje:
 - Los neumáticos patinan.
 - Se pierde el control del equipo.
 - Las ruedas se despegan del suelo.
 - Hay que sujetar firmemente el volante para no resbalar del asiento.
- 2 En las siguientes condiciones, o en una combinación de las mismas, aumenta el riesgo de vuelco:
 - Conducir sobre una superficie irregular.
 - Conducir a velocidad excesiva.
- 3 Es posible volcar hacia adelante. Las probabilidades aumentan bajo las siguientes condiciones o bajo una combinación de las mismas:
 - El operario debe permanecer con limpiador de suelos eléctrico si se cae de una rampa o de rampa de carga. El operario debe agarrarse con fuerza y alejarse del punto de impacto.
 - Si el entorno presenta un peligro grave o existen otras condiciones de funcionamiento inusuales, puede que el usuario necesite tomar precauciones de seguridad diferentes o adicionales e instrucciones de funcionamiento especiales apropiadas para esas condiciones.

Conservación del equipo por parte del operario

Al comienzo de cada turno y antes de operar el limpiador de suelos motorizado, se debe comprobar su estado, para lo que se deberá prestar especial atención a lo siguiente:

- Estado de los neumáticos
- Comprobar la presión de los neumáticos
- Dispositivos de seguridad y de advertencia
- Iluminación
- Batería
- Control
- Sistemas de elevación e inclinación
- Cadenas y cables
- Interruptor final
- Frenos
- Mecanismo de dirección
- Objetos adicionales o equipamiento especial según lo especificado por el usuario o el fabricante

Si se determina que el equipo necesita reparación o que de alguna manera es inseguro o contribuye a una condición insegura, se debe informar de inmediato a la autoridad designada por el usuario y no se debe manejar el equipo hasta que se encuentre de nuevo en un estado de servicio seguro.

Si, por cualquier motivo, el equipo se vuelve inseguro durante el servicio, se debe informar de inmediato a la autoridad designada por el usuario y no se debe manejar el equipo hasta que se encuentre de nuevo en un estado de servicio seguro.

No realice ninguna reparación o ajuste a menos que esté expresamente autorizado.

No use llamas abiertas para verificar el nivel de electrolito en las baterías.

ACTIVIDADES DE MANTENIMIENTO Y RESTAURACIÓN

Poner en servicio el equipo puede resultar peligroso si se descuida el mantenimiento o si no se realizan las reparaciones, modificaciones o ajustes de acuerdo con los criterios de diseño del fabricante. Por lo tanto, se debe contar con dispositivos de mantenimiento (en las instalaciones o en el exterior), personal capacitado y procedimientos detallados.

Los manuales de piezas y los manuales de mantenimiento se los puede proporcionar el fabricante del limpiador de suelos eléctrico.

En casos inusuales que no se traten en los manuales anteriores, comuníquese con el fabricante del limpiador de suelos eléctrico. El mantenimiento y la inspección del equipo deben realizarse de acuerdo con las siguientes prácticas:

- 1 Debe respetarse un sistema programado de mantenimiento, lubricación e inspección. Se deben consultar las recomendaciones del fabricante.
- 2 Solo el personal capacitado y autorizado puede mantener, reparar, ajustar e inspeccionar el equipo de acuerdo con las instrucciones del fabricante.

Al levantar los limpiadores de suelos eléctricos para su reparación o para su inspección, los equipos deben levantarse de manera segura y estable. La extracción de componentes como contrapesos o postes cambiará el centro de gravedad y puede provocar un estado inestable. Antes de comenzar la inspección y reparación del limpiador de suelos eléctrico:

- 1 Levante las ruedas motrices del suelo, desconecte la batería y use cuñas para las ruedas u otra instalación de posicionamiento segura para el camión.
- 2 Bloquee el chasis antes de trabajar en él.
- 3 Desconecte la batería antes de trabajar en el sistema eléctrico.
- 4 El conector de carga solo puede conectarse a la conexión de la batería y nunca al conector del equipo.

El servicio del limpiador de suelos eléctrico para probar la potencia debe realizarse en una zona aprobada en la que se disponga de una distancia segura.

- 1 Antes de iniciar el equipo:
 - Parta de la posición de servicio.
 - Accione el freno.
 - Coloque el controlador de dirección en posición neutra.
 - Coloque el interruptor en posición «ON».
 - Compruebe el funcionamiento de los sistemas de elevación e inclinación, del mecanismo de dirección, de los equipos de advertencia y de los frenos.
- 2 Antes de abandonar la unidad:
 - Detenga el equipo.
 - Coloque el controlador de dirección en posición neutra.
 - Accione el freno de estacionamiento.
 - Desconecte el motor o el control.
 - Desconecte circuito de control.
 - Si el equipo debe permanecer en una inclinación, se deben bloquear las ruedas.

Evite el peligro de incendio y tenga a mano equipo de protección contra incendios en la zona de trabajo. No utilice una llama abierta para comprobar el nivel de llenado de líquido, especialmente de los electrolitos de la batería. No utilice recipientes abiertos de combustible o líquidos de limpieza inflamables para limpiar las piezas.

Ventile adecuadamente la zona de trabajo, purgue los gases de escape y mantenga el taller limpio y seco.

Los frenos, los mecanismos de dirección, los mecanismos de control, los equipos de advertencia, la iluminación, los reguladores, los dispositivos de seguridad y de protección, los topes de los ejes articulados y las piezas del bastidor se deben supervisar de manera cuidadosa y con regularidad y se deben mantener en un estado de servicio seguro.

NORMA DE SEGURIDAD CONTRA INCENDIOS

Los equipos que no se encuentran en un estado de servicio seguro deben ponerse fuera de servicio.

Las reparaciones no deben realizarse en ubicaciones de clase I, clase II y clase III.

Las reparaciones del sistema eléctrico de los limpiadores de suelos que funcionan con baterías solo deben realizarse después de desconectar la batería.

Temperatura de servicio. Si se determina que alguna pieza de un limpiador de suelos eléctrico está por encima de su temperatura de servicio normal y representa un peligro, el vehículo debe ponerse fuera de servicio y no volver a arrancar hasta que se haya eliminado la causa que produce ese sobrecalentamiento.

Protección contra incendios. El equipo debe mantenerse limpio y razonablemente libre de pelusa, exceso de aceite y grasa. Se prefieren agentes no inflamables para limpiar el equipo. No se permiten líquidos inflamables (con puntos de inflamación de 37,8 °C [100 °F] o superiores). Las precauciones relativas a la toxicidad, la ventilación y el peligro de incendio deben ser las apropiadas para el agente o disolvente utilizado.

Visibilidad de la placa de características. Las identificaciones del modelo del equipo indicadas en la placa de características y en las marcas de modelo no se deben pintar para cubrir su información de identificación.

Cambio y carga de las baterías. Esta sección se aplica a las baterías utilizadas en camiones eléctricos. Los dos tipos de baterías son generalmente baterías de plomo y níquel-hierro. Contienen soluciones químicas corrosivas, ya sean ácidas o alcalinas, por lo que representan un peligro químico. Durante la carga, emiten hidrógeno y oxígeno, sustancias explosivas en determinadas concentraciones. Los sistemas de carga de baterías deben colocarse en zonas designadas; estas zonas deben mantenerse libres de materias extrañas combustibles.

Deben proporcionarse dispositivos para:

- 1 El enjuague del electrolito derramado.
- 2 La protección contra incendios.
- 3 La protección de los cargadores frente a daños causados por los camiones.
- 4 La ventilación adecuada para dispersar los humos de las baterías de gas.

Si se utilizan cargadores de a bordo, la carga debe realizarse en los lugares designados, conforme a los requisitos eléctricos del cargador y los dispositivos de protección contra incendios.

Excepción: No se requieren dispositivos de limpieza si la carga se realiza sin quitar la batería del vehículo.

Al manipular concentrados de ácido con más del 50 por ciento de ácido (peso específico por encima de 1400), se debe contar con un lavaojos.

Se debe contar con una cinta transportadora, una grúa o un equipo de manipulación de materiales equivalente para manipular las baterías. Los polipastos de cadena deben estar equipados con contenedores de cadena de carga. Cuando se utiliza una cuerda manual, las baterías descubiertas deben cubrirse con un tablero contrachapado u otro material no conductor para evitar que la cadena manual se cortocircuite en las conexiones o terminales de las células. Se debe usar una barra de separación debidamente aislada con cada grúa.

Las baterías reinstaladas o las baterías nuevas deben cumplir o superar el tipo de batería especificado para el equipo. Las baterías recién introducidas deben colocarse y asegurarse correctamente en el equipo.

Si se usa ácido en garrafas, se debe contar con un volcador de garrafas o con un sifón. Cuando el ácido sulfúrico concentrado se diluye en el electrolito, el ácido debe agregarse SIEMPRE al agua, y no al revés. El personal de mantenimiento de la batería debe usar ropa protectora, como protección para los ojos, mangas largas y guantes. *Excepción: No se requiere ropa protectora para quitar y sustituir las baterías.*

Las instalaciones eléctricas deben cumplir con la norma NFPA 70, las normas eléctricas nacionales y toda la normativa local.

El personal capacitado y autorizado debe cambiar o cargar las baterías.

El limpiador de suelos eléctrico debe estar colocado correctamente y los frenos deben estar accionados antes de intentar cambiar o recargar las baterías.

Al cargar las baterías, las tapas de ventilación deben permanecer en su lugar para evitar que el electrolito salpique. Asegúrese de que funcionen las tapas de ventilación. Las tapas de la batería (o del compartimento) deben estar abiertas para que se disipe el calor y el gas.

Está prohibido fumar en la zona de carga.

Se deben tomar precauciones para evitar llamas abiertas, chispas o arcos eléctricos en las zonas de carga de la batería.

Las herramientas y otros objetos metálicos deben mantenerse alejados de las tapas de las baterías descubiertas. El equipo no se debe usar en zonas clasificadas.

Servicio al cliente

Registro

Debe registrar su dispositivo para poder recibir ayuda con cualquier pregunta o problema que tenga. Puede registrar su dispositivo en www.karcher-register.com si se encuentra en los EE. UU., www.karcher.com/ca si se encuentra en Canadá, o www.karcher.com/mx si se encuentra en México.

Garantía

Si tiene una reclamación de garantía, puede contactar al servicio de atención al cliente. Consulte la información de contacto que se indica a continuación para EE.UU., Canadá o México. DEBE proporcionar su comprobante de compra para presentar una reclamación de garantía por correo electrónico, teléfono o fax.

Servicio al cliente en EE. UU.

Puede comunicarse con nuestro departamento de Atención al Cliente por teléfono al **1-800-537-4129** o en la página web www.karcher-help.com.

Servicio al cliente en México

Puede comunicarse con nuestro departamento de Atención al Cliente por teléfono al **01-800-024-13-13** o en la página web www.karcher.com/mx.

Atención al cliente en Canadá

Puede comunicarse con nuestro departamento de Atención al Cliente por teléfono al **1-800-465-4980** o en la página web www.karcher.com/ca/support.

Cobertura de la entrega

La cobertura de la entrega del aparato se indica en el embalaje. Al desempaquetarlo, compruebe que el contenido esté completo. Si falta algún accesorio o si se produce algún daño durante el transporte, notifique a nuestro departamento de Atención al Cliente tal como se ha indicado anteriormente por teléfono o en la página web.

Instrucciones de seguridad

Antes de utilizar por primera vez el equipo, lea y tenga en cuenta el presente manual de instrucciones y el folleto adjunto relativo a las instrucciones de seguridad para equipos de limpieza con cepillos, n.º 5.956-251.0, y respételas.

El equipo está autorizado para su uso sobre superficies con una pendiente limitada (véase el capítulo "Datos técnicos").

⚠ ADVERTENCIA

El equipo puede volcarse

Peligro de lesiones

Utilice el equipo únicamente en superficies que no superen la pendiente permitida (véase el capítulo "Datos técnicos").

⚠ ADVERTENCIA

Peligro de accidentes por un manejo incorrecto

Las personas pueden lesionarse.

Los operarios deben estar instruidos de forma adecuada sobre el uso del equipo.

El equipo solo debe utilizarse cuando todas las cubiertas y tapas están cerradas.

Dispositivos de seguridad

⚠ PRECAUCIÓN

Dispositivo de seguridad faltantes o modificados

Los dispositivos de seguridad velan por su seguridad.

No anule, retire o deje sin efecto ningún dispositivo de seguridad.

Interruptor de seguridad

Para la puesta fuera de servicio inmediata de todas las funciones: Colocar el interruptor de seguridad en la posición "0".

- El equipo frena con fuerza al apagar el interruptor de seguridad.
- El interruptor de seguridad actúa directamente sobre todas las funciones del equipo

Interruptor de asiento

Si el operador abandona el asiento durante el trabajo o mientras conduce, el interruptor del asiento apaga el motor después de un breve intervalo.

Símbolos en el equipo



¡ CUIDADO

Peligro de daños

El agua provoca daños en la turbina de aspiración.
No llene ni salpique agua en esta abertura.



¡ PRECAUCIÓN

Peligro de quemaduras

Los componentes marcados con este aviso se calientan durante el funcionamiento.
No toque los componentes marcados de esta manera. Deje que estos componentes se enfríen antes de trabajar en el equipo.













¡ PELIGRO

Peligro de accidentes

En pendientes, existe un mayor riesgo de vuelco a altas velocidades.
Conduzca lentamente cuesta abajo.
No gire en pendiente.
Cuando conduzca rápido, evite conducir de forma brusca y realizar giros de volante muy amplios.

Símbolos de los avisos

A la hora de manipular baterías debe tener en cuenta los siguientes avisos:

	Tenga en cuenta los avisos de las instrucciones de uso de la batería, los avisos impresos sobre la propia batería y los avisos de este manual de instrucciones.
	Utilice protección para los ojos.
	Mantenga alejados a los niños de la batería y el ácido.
	Peligro de explosión
	Prohibido encender fuego, originar chispas, aplicar luz directa y fumar.
	Peligro de quemadura por ácido
	Primeros auxilios.
	Aviso
	Eliminación de residuos
	No deseche la batería en el cubo de basura.

Niveles de peligro

⚠ PELIGRO

• Aviso de un peligro inminente que produce lesiones corporales graves o la muerte.

⚠ ADVERTENCIA

• Aviso de una posible situación peligrosa que puede producir lesiones corporales graves o la muerte.

⚠ PRECAUCIÓN

• Aviso de una posible situación peligrosa que puede producir lesiones corporales leves.

CUIDADO

• Aviso de una posible situación peligrosa que puede producir daños materiales.

Función

La presente fregadora aspiradora sirve para limpiar en húmedo o para pulir suelos llanos.

El equipo puede adaptarse a la tarea de limpieza correspondiente mediante el ajuste de la cantidad de agua y detergente. La dosificación del detergente se ajusta mediante la adición en el depósito o mediante un dispositivo de dosificación (opción "Dose").

La aplicación del agua de los cepillos depende de la velocidad o es constante.

El ancho útil y la capacidad de los depósitos de agua limpia y sucia (ver el capítulo "Datos técnicos") permiten una limpieza efectiva en aplicaciones prolongadas.

El equipo está equipado con un motor.

Nota

El equipo puede equiparse con diferentes accesorios en función de la tarea de limpieza en cuestión. Solicite nuestro catálogo o visítenos en internet en la página www.kaercher.com.

Uso previsto

Este equipo es apto para el uso profesional e industrial, por ejemplo, en hoteles, escuelas, hospitales, fábricas, tiendas, oficinas y negocios de alquiler. Use este equipo únicamente de conformidad con las indicaciones de este manual de instrucciones.

- El equipo solo puede utilizarse para la limpieza de suelos planos resistentes a la humedad y al pulido.
- Este equipo está destinado al uso en interiores.
- El rango de temperatura de servicio está entre +5 °C y +40 °C.
- El equipo no es apto para la limpieza de suelos congelados (p. ej., en almacenes frigoríficos).
- El equipo es adecuado para una altura máxima de agua de 1 cm. No conduzca hacia una zona si existe el riesgo de que se exceda el nivel máximo de agua.
- Al utilizar cargadores o baterías solo se deben utilizar los componentes autorizados en el manual de instrucciones. Una combinación diferente debe ser confirmada por el proveedor del cargador y/o las baterías de forma responsable.
- El equipo no está diseñado para limpiar vías de comunicación públicas.
- El equipo no debe utilizarse en suelos sensibles a la presión. Tenga en cuenta la carga por unidad de superficie permitida del suelo. La carga por unidad de superficie por el equipo se especifica en los datos técnicos.
- El equipo no es apto para su utilización en entornos potencialmente explosivos.
- El equipo está autorizado para su uso sobre superficies con una pendiente máxima (véase el capítulo "Datos técnicos").

Protección del medioambiente



Los materiales de embalaje son reciclables. Eliminar los embalajes de forma respetuosa con el medioambiente.



Los equipos eléctricos y electrónicos contienen materiales reciclables y, a menudo, componentes, como baterías, acumuladores o aceite, que suponen un peligro potencial para la salud de las personas o el medio ambiente en caso de manipularse o eliminarse de forma inadecuada. Sin embargo, dichos componentes son necesarios para un funcionamiento adecuado del equipo. Los equipos identificados con este símbolo no pueden eliminarse con la basura doméstica.

Avisos sobre sustancias contenidas (REACH)

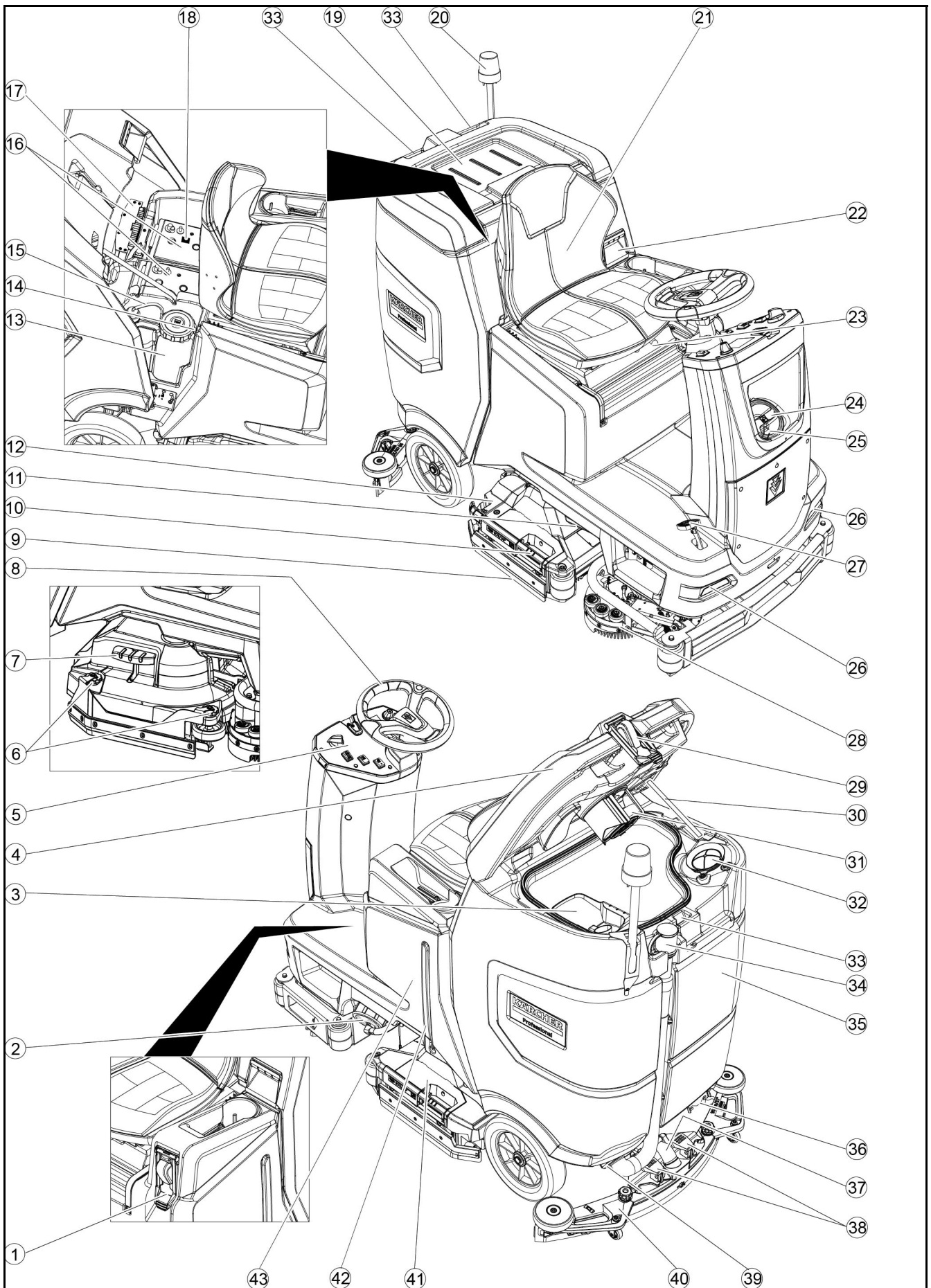
Encontrará información actualizada sobre las sustancias contenidas en: www.kaercher.de/REACH

Alcance de suministro

Compruebe la integridad del alcance de suministro durante el desembalaje. Póngase en contacto con su distribuidor si faltan accesorios o en caso de daños de transporte.

Descripción del equipo

Sinopsis del equipo



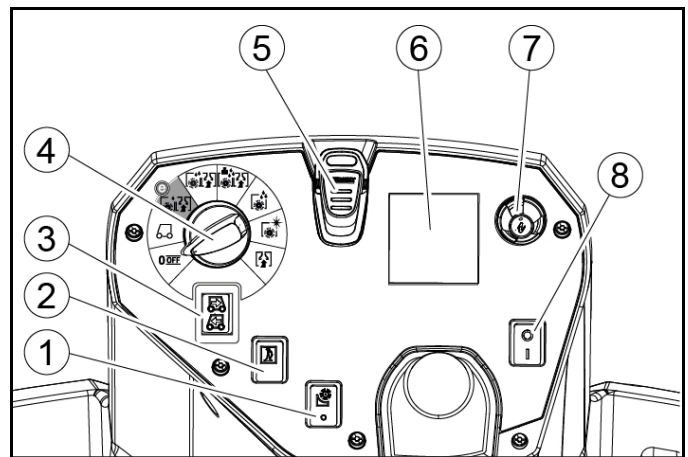
- ① * Sistema de llenado
- ② Cierre del depósito de agua fresca con filtro de agua fresca
- ③ Filtro de partículas de suciedad gruesas
- ④ Tapa del depósito de agua sucia
- ⑤ Campo de control
- ⑥ Rueda de ajuste de labio rascador (solo cabezal de limpieza D)
- ⑦ Pedal del cambio de cepillos (solo cabezal de limpieza D)
- ⑧ Volante
- ⑨ Labio rascador
- ⑩ Empuñadura del cambio de cepillos (solo cabezal de limpieza R)
- ⑪ Luz lateral
- ⑫ Depósito de suciedad gruesa (solo cabezal de limpieza R)
- ⑬ Bidón de detergente
- ⑭ Placa de características
- ⑮ Manguera de aspiración de detergente
- ⑯ Batería
- ⑰ * Cargador interno
- ⑱ Conector de batería (con cargador externo)
Cable de red del cargador (con cargador interno)
- ⑲ Superficie de apoyo para el juego de limpieza "Home-base Box"
- ⑳ * Iluminación de advertencia
- ㉑ Asiento
- ㉒ Desbloqueo del depósito de agua sucia
- ㉓ Palanca de ajuste del asiento
- ㉔ Orificio de llenado del depósito de agua limpia
- ㉕ Portamangueras
- ㉖ Luz de conducción diurna
- ㉗ Pedal acelerador
- ㉘ * Conjunto de frotadores laterales
- ㉙ * Conexión de agua para el sistema de enjuague del depósito de agua sucia
- ㉚ Tapa del soporte del depósito de agua sucia
- ㉛ Flotador
- ㉜ Filtro de pelusas
- ㉝ Almacenaje para la barra de aspiración
- ㉞ Manguera de desagüe de agua sucia con dispositivo de dosificación
- ㉟ Depósito de agua sucia
- ㊱ * Portafregonas
- ㊲ Manguera de aspiración
- ㊳ Palanca de fijación de la barra de aspiración
- ㊴ Cierre del depósito de agua sucia
- ㊵ Barra de aspiración
- ㊶ Cabezal de limpieza
- ㊷ Indicador del nivel de llenado de agua limpia
- ㊸ Depósito de agua limpia

* opcional

Código de colores

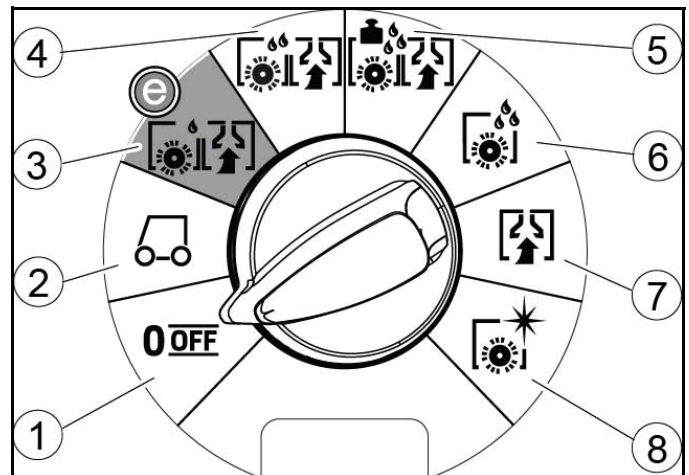
- Los elementos de control de la limpieza se muestran en amarillo.
- Los elementos de control del mantenimiento se muestran en gris claro.

Campo de control



- ① * Interruptor del conjunto de frotadores laterales
- ② Bocina
- ③ Interruptor de dirección de marcha
- ④ Interruptor de programa
- ⑤ Intelligent Key
- ⑥ Pantalla
- ⑦ Botón de información
- ⑧ Interruptor de seguridad

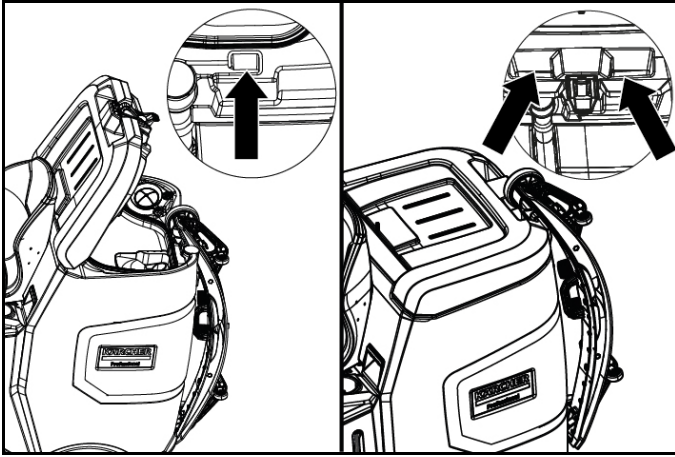
Interruptor de programa



- ① OFF
El equipo está desconectado.
- ② Transporte
Desplazarse al lugar de uso.
- ③ Freg. y as.: eco
Limpiar el suelo mojado (con volumen de agua y velocidad de rotación del cepillo reducidos) y aspirar el agua sucia (con potencia de aspiración reducida).
- ④ Fregar y aspirar
Limpiar el suelo mojado y aspirar el agua sucia.
- ⑤ Fr. y as.: fuerte
Limpiar el suelo mojado (con mayor presión de aplicación de cepillos) y aspirar el agua sucia.
- ⑥ Solo fregar
Colocación sin aspiración
Limpiar el suelo mojado y dejar actuar el detergente.
- ⑦ Solo aspirar
Absorber la suciedad.
- ⑧ Pulir
Pulir el suelo con una alta velocidad de rotación de cepillos sin aplicar líquido.

Soporte de la barra de aspiración

- Al conducir por espacios estrechos, la barra de aspiración se puede desmontar y colgar en una de las aberturas de la tapa del depósito de agua sucia.



La barra de aspiración se puede colgar en el hueco del depósito de agua sucia para almacenarla.

Símbolos en el equipo



Boca de salida del depósito de agua limpia



Boca de salida del depósito de agua sucia



Nivel de llenado del depósito de agua limpia (50 %)



Punto de amarre



*Portafregonas



Conexión de agua para el sistema de llenado



Conexión de agua para el sistema de llenado del depósito de agua sucia



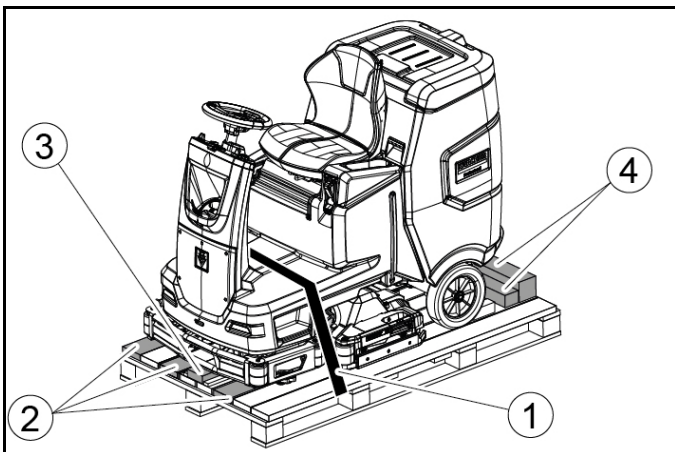
Cambio de cepillos

* opcional

Montaje

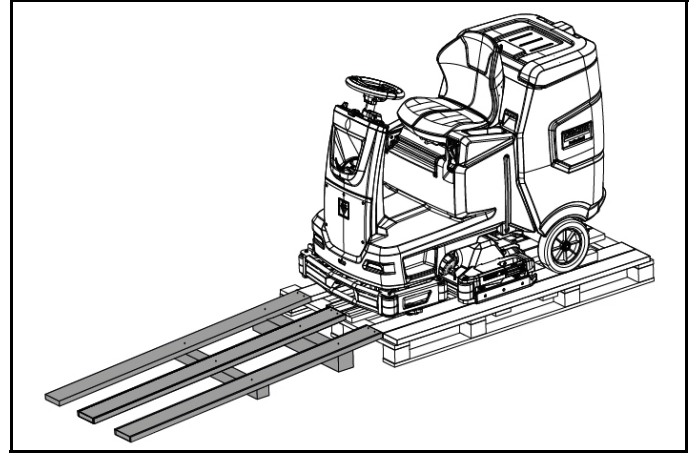
Descarga

- Retirar la lámina de embalaje.
- Retirar la cinta de sujeción.



- Cinta de sujeción
- Tabla
- Bloque
- Madera escuadrada

- Desatornillar los bloques, maderas escuadradas y las tablas. Los componentes a desenroscar están marcados en gris en la figura.
- Colocar una rampa frente a la paleta con las tablas desenroscadas y la madera escuadrada y fijarla con tornillos para tableros de aglomerado.



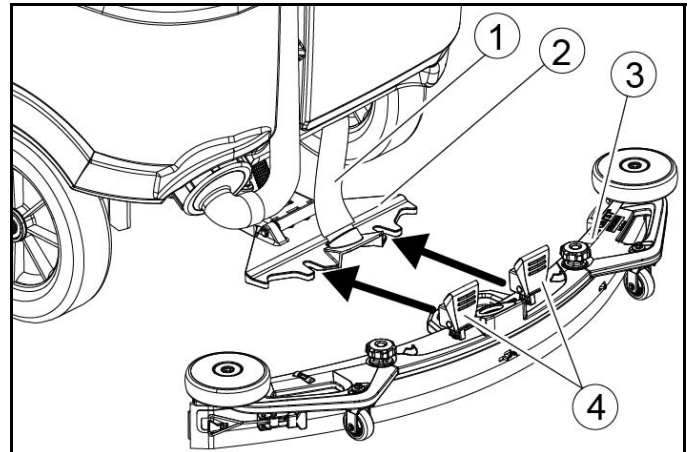
- Instalar las baterías si el equipo se entregó sin ellas (véase el capítulo "Antes de la puesta en funcionamiento/baterías").
- Desplazar el equipo hacia adelante desde la paleta (véase el capítulo "Servicio/conducción").

Montaje de los cepillos

- El montaje de los cepillos se describe en el capítulo "Trabajos de mantenimiento".

Montaje de la barra de aspiración

- Girar hacia arriba ambas palancas de fijación.



- Manguera de aspiración
 - Suspensión para la barra de aspiración
 - Barra de aspiración
 - Palanca de fijación
- Insertar la barra de aspiración en la suspensión para la barra de aspiración.
 - Girar hacia abajo ambas palancas de fijación.

Baterías

Juegos de baterías recomendados

CUIDADO

Peligro de daños

Las baterías solo pueden sustituirse por otras de la misma tecnología.

Las baterías de plomo no se deben sustituir por baterías de iones de litio

Las baterías de iones de litio no se deben sustituir por baterías de plomo.

Baterías de plomo:

Descripción	N.º de pedido	Volumen (m ³)*	Flujo de aire (m ³ /h)**
170 Ah - sin mantenimiento, AGM	4.039-352.7	2,4	1,0
180 Ah - sin mantenimiento, gel	4.039-354.7	3,8	1,6
285 Ah - sin mantenimiento, AGM	4.039-353.7	12,6	5,1

* Volumen mínimo del espacio de carga de batería

** Flujo de aire mínimo entre el espacio de carga de batería y el entorno

El equipo necesita 2 baterías.

Baterías de iones de litio:

Descripción	N.º de pedido
80 Ah, 25,6 V	6.654-454.0

El equipo necesita 2 baterías.

Colocación y conexión de las baterías

Nota

En el caso de las ejecuciones con batería de iones de litio, la batería ya está instalada y conectada.

⚠ PRECAUCIÓN

Desmontaje y montaje de las baterías

Posición inestable de la máquina

Preste atención a que la máquina esté en una posición segura durante el desmontaje y el montaje de las baterías.

CUIDADO

Intercambio de la polaridad

Destrucción de la electrónica de control

Preste atención a la polaridad correcta al conectar la batería.

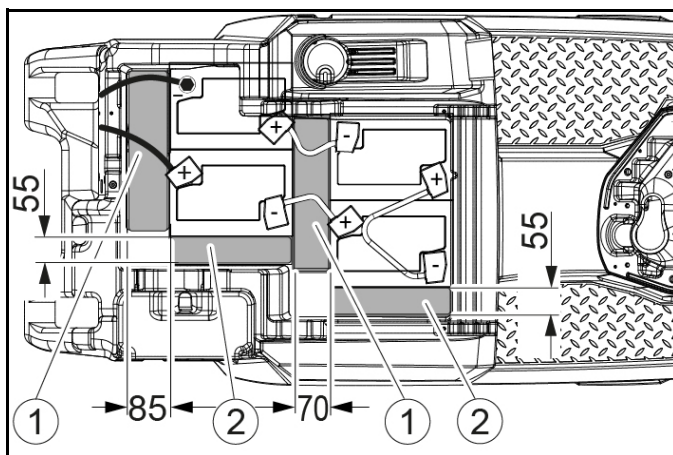
CUIDADO

Descarga completa

Peligro de daños

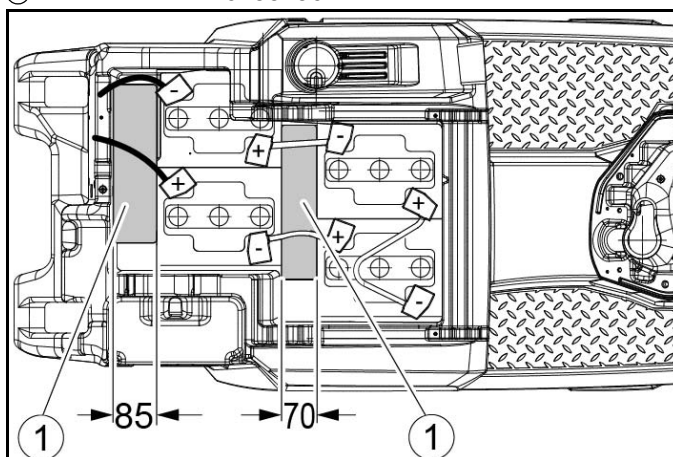
Cargue las baterías antes de la puesta en funcionamiento del equipo.

1. Purgar el agua sucia.
2. Desbloquear el depósito de agua sucia y girarlo hacia atrás.
3. Colocar las baterías en el equipo.



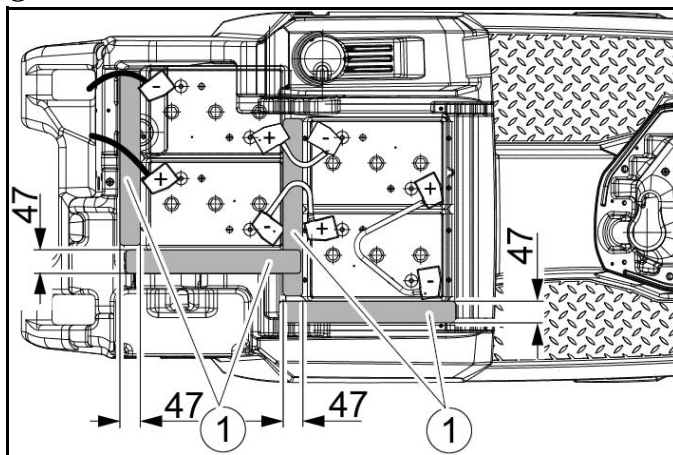
170 Ah, 4.039-352.7

- ① Distanciador 310x85x70 mm
- ② Distanciador 240x55x30 mm



180 Ah, 4.039-354.7

- ① Distanciador 310x85x70 mm



285 Ah, 4.039-353.7

- ① Distanciador 345x60x47
- 160 Ah de iones de litio, 6.654-454.0

- ① Chapa
 - ② Distanciador 155x300x60
 - ③ Distanciador 320x90x40
4. Insertar los distanciadores en los lugares que se muestran en la imagen entre la batería y el equipo.
 5. Conectar los polos con los cables de conexión.
 6. Embornar los cables de conexión a los polos de batería todavía libres (+) y (-).

Nota

En el caso del juego de baterías de 170 Ah 4.039-352.7, fijar el cable de conexión al polo negativo con el tornillo del terminal aislado.

7. Conectar el conector de la batería del lado del equipo con el conector de la batería del lado de la batería.
8. Girar el depósito de agua sucia hacia delante y cerrarlo.

Desmontaje de la batería

⚠ PRECAUCIÓN

Desmontaje y montaje de las baterías

Posición inestable de la máquina

Preste atención a que la máquina esté en una posición segura durante el desmontaje y el montaje de las baterías.

⚠ ADVERTENCIA

Peligro de lesiones por vuelco del equipo

El equipo puede volcar durante el desmontaje y montaje de las baterías.

Preste atención a que el equipo esté en una posición segura durante el desmontaje y el montaje de las baterías.

1. Poner el interruptor de llave a "0" y extraer la llave.
2. Desconectar las clavijas de las baterías.
3. Purgar el agua sucia.
4. Girar hacia arriba el depósito de agua sucia.
5. Desembornar el cable del lado del equipo del polo negativo de la batería.
6. Desembornar el resto de cables de las baterías.
7. Extraer las baterías.
8. Eliminar las baterías usadas de conformidad con las disposiciones vigentes.

Puesta en funcionamiento

Carga de la batería

⚠ PELIGRO

Uso incorrecto del cargador

Descarga eléctrica

Respete la tensión de red y la protección por fusible de la placa de características del equipo.

Utilice el cargador únicamente en entornos secos con una ventilación adecuada.

Se generan gases inflamables cuando se carga la batería

Peligro de explosión

Cargue las baterías únicamente en un espacio adecuado.

El espacio debe tener un volumen mínimo según el tipo de batería y un cambio de aire con un flujo de aire mínimo (véase "Baterías recomendadas").

⚠ CUIDADO

Acumulación de gases peligrosos bajo el depósito durante el proceso de carga

Peligro de explosión

Antes de cargar las baterías de bajo mantenimiento, gire hacia arriba el depósito de agua sucia.

El tiempo de carga medio asciende a aprox. 10-15 horas. No se puede utilizar el equipo durante el proceso de carga.

Nota

El equipo dispone de una protección contra descarga completa; es decir, si se alcanza el nivel mínimo admisible de capacidad, se desconecta el motor de cepillos y la turbina.

1. Llevar el equipo directamente al cargador evitando pendientes.

Ajuste de la curva característica de carga

Antes de la primera puesta en funcionamiento, después de un reajuste de servicio o al cambiar a otro tipo de batería, es imprescindible ajustar la curva característica de carga.

⚠ PELIGRO

Peligro por un equipo que se arranque involuntariamente

Peligro de lesiones

Desconecte el conector de la bujía o la batería antes de realizar cualquier trabajo en el equipo.

⚠ CUIDADO

Peligro de daños en la batería

La vida útil y la capacidad de carga de la batería pueden verse afectadas por una curva característica de carga incorrecta.

Asegurarse de que en la máquina se ha seleccionado la curva característica de la batería correspondiente.

La curva característica de la batería seleccionada actualmente puede verse en la pantalla o a través de la app en el área "Estado del equipo" durante la carga.

Nota

La curva característica de carga solo puede ajustarla el servicio técnico de Kärcher.

Las curvas características de la batería están disponibles para las siguientes baterías:

- EXIDE GF12105V
- HOPPECKE TB115
- EXIDE GF12076V
- EXIDE FF12080W
- TROJAN 27TMX
- HOPPECKE TB80
- ZENITH L120185

Nota

Para poder utilizar también otras baterías, el servicio técnico de Kärcher puede crear una curva característica de batería personalizada. Para ello, deben proporcionarse los parámetros de batería correspondientes.

Cargador externo

⚠ CUIDADO

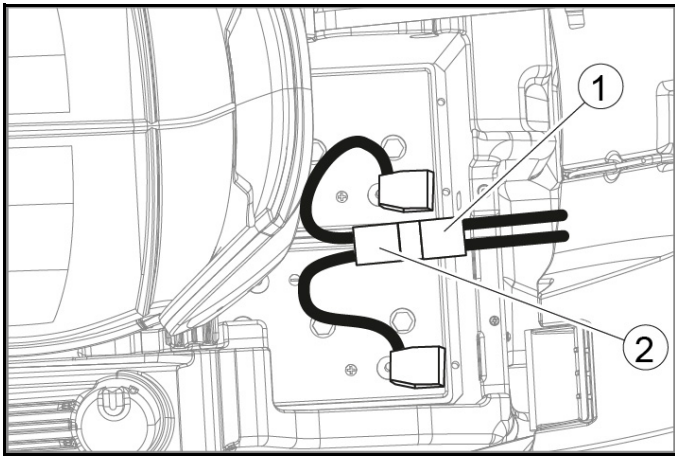
Peligro de daños causados por un cargador inadecuado

No conecte el cargador con el conector de la batería del lado del equipo.

Use únicamente un cargador compatible con el tipo de baterías montado.

Batería	Capacidad	Cargador
4.039-352.7	170 Ah	6.654-436.0
4.039-354.7	180 Ah	6.654-434.0
4.039-353.7	285 Ah	6.654-419.0

1. Desbloquear el depósito de agua sucia y girarlo hacia atrás.
2. Extraer el conector de la batería del lado del equipo.



- ① Conector de la batería, lado del equipo
- ② Conector de la batería, lado de la batería
3. Conectar el conector de la batería del lado de la batería con el cargador.
4. Enchufar el conector de red del cargador en una caja de enchufe.
5. Ejecutar el proceso de carga siguiendo las indicaciones del manual de instrucciones del cargador.
6. Conectar el conector de la batería del lado del equipo con el conector de la batería del lado de la batería.
7. Girar el depósito de agua sucia hacia delante y, posteriormente, cerrarlo.

Cargador interno

1. Desbloquear el depósito de agua sucia y girarlo hacia atrás.
2. Enchufar el conector de red del cargador interno en una toma de corriente.
El estado de carga de la batería se muestra en el campo de control de la pantalla.
3. Al finalizar el proceso de carga, desconectar el conector de red del cargador de la toma de corriente.
4. Girar hacia delante el depósito de agua sucia.

Baterías de bajo mantenimiento (baterías húmedas)

⚠ PELIGRO

Rellenado de agua en estado descargado de la batería

Peligro de quemaduras por salida de ácido, daños en la ropa
Utilice gafas, vestuario y guantes de protección al manipular el ácido de la batería.

Tenga en cuenta las instrucciones.

Lave inmediatamente con abundante agua cualquier posible salpicadura de ácido sobre la piel o la ropa.

⚠ CUIDADO

Uso de agua con aditivos

Baterías defectuosas, pérdida del derecho de garantía
Para el rellenado de las baterías utilice únicamente agua destilada o desionizada (EN 50272-T3).

No utilice otros aditivos ajenos, como los llamados agentes de mejora, de lo contrario se extingue la garantía.

1. Añadir agua destilada una hora antes de que finalice el proceso de carga. Prestar atención al nivel de ácido correcto conforme al marcado de la batería.

Al final del proceso de carga deben gasear todas las celdas.

2. Eliminar el agua derramada. Para hacer esto, proceder como se describe en el capítulo Cuidado y mantenimiento en el apartado "Limpieza de las baterías".

Funcionamiento

⚠ PELIGRO

Caída de objetos

Peligro de lesiones

No conduzca el equipo en zonas en las que exista la posibilidad de que los operarios pueda ser golpeados por la caída de objetos.

⚠ CUIDADO

Situación de peligro durante el funcionamiento

Peligro de lesiones

En caso de peligro, ajuste el interruptor de seguridad a "0".

Deslizamiento del equipo

Para deslizar el equipo debe desbloquearse el freno.

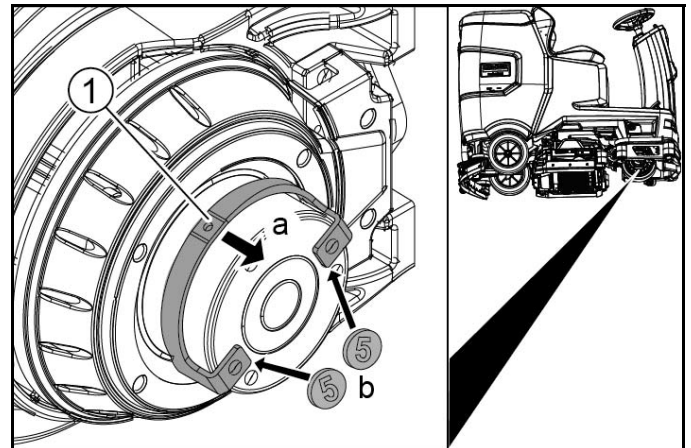
⚠ PELIGRO

Peligro de accidentes

Cuando el freno está desbloqueado, la función del freno está permanentemente fuera de servicio.

Asegúrese de retirar las monedas para desbloquear inmediatamente después de que el proceso de deslizamiento haya terminado.

1. Girar la palanca de desbloqueo lejos de la rueda y mantenerla allí.



- ① Palanca de desbloqueo
2. Insertar una moneda entre la carcasa y la palanca en ambos extremos de la palanca.
3. Soltar la palanca de desbloqueo.
4. Empujar el equipo.
5. Retirar ambas monedas inmediatamente después del proceso de deslizamiento.

Ajuste del asiento

Ajuste de la altura

1. Parar al lado del equipo.
2. Levantar el asiento trasero.
3. Alinear el soporte del asiento delantero con la altura deseada del equipo.
4. Bajar el asiento trasero.

Ajuste de la posición

1. Accionar la palanca de ajuste del asiento y desplazar el asiento a la posición deseada.
2. Soltar la palanca de ajuste del asiento y enganchar el asiento.

Conexión del equipo

1. Sentarse en el asiento del conductor.
2. Insertar la Intelligent Key.
3. Colocar el interruptor de seguridad en la posición "1".
4. Girar el interruptor de programa a la función deseada.
5. Si una de las siguientes visualizaciones aparece en la pantalla, quitar el pie del pedal del acelerador, ajustar el interruptor de seguridad a "0" y realizar los trabajos de mantenimiento necesarios.

Pantalla	Tarea
Mantenimiento Lab. tras. aspiración	Limpiar la barra de aspiración.
Mantenimiento Cepillo	Verificar el desgaste de los cepillos y limpiarlos.
Mantenimiento Labio de goma	Verificar el desgaste y el ajuste de los labios de aspiración.
Mantenimiento Filtro de agua sucia	Limpiar el filtro de pelusas.
Mantenimiento Filtro de agua fresca	Limpiar el filtro de agua fresca.

6. Pulsar el botón de información.
7. Restablecer el contador para el mantenimiento correspondiente (véase "Intelligent Key gris/restablecer contador de mantenimiento").

Nota

Si el contador no se reinicia, la visualización de mantenimiento aparece nuevamente cada vez que se enciende el equipo.

Conectar la luz

Luz de conducción diurna

La luz de conducción diurna está en funcionamiento si el equipo está conectado.

Luz lateral

La luz lateral se enciende en cuanto el interruptor del programa se establece en un programa de limpieza.

Comprobación del freno de estacionamiento

⚠ PELIGRO

Freno de estacionamiento defectuoso

Peligro de accidentes

Antes de cada servicio, verifique el funcionamiento del freno de estacionamiento en plano.

1. Conectar el equipo.
2. Colocar el interruptor de dirección de marcha en "hacia delante".
3. Colocar el interruptor de programa en "Transporte".
4. Presionar el pedal del acelerador ligeramente.
Se debe oír desenganchar el freno. El equipo debe comenzar a rodar ligeramente en plano.
5. Soltar el pedal del acelerador.
El freno debe funcionar de forma audible.

Si este no es el caso, dejar el equipo fuera de servicio y llamar al servicio de postventa.

Circulación

⚠ PELIGRO

Falta de frenado

Peligro de accidentes

Antes de usar el equipo, es esencial verificar el funcionamiento del freno de estacionamiento. No usar nunca el equipo si el freno de estacionamiento no funciona.

⚠ PELIGRO

Conducción descuidada

Peligro de vuelco

En pendientes, conduzca solo hasta un máximo de 10% en dirección de marcha y transversal a la dirección de marcha.

No gire en las pendientes o en las cuestas.

Conduzca lentamente en las curvas y en suelo mojado.

Conduzca el equipo únicamente sobre una base firme.

Nota

Se puede cambiar la dirección de marcha durante la conducción. Esto significa que se pueden pulir manchas muy opacas moviéndose varias veces hacia adelante y hacia atrás.

1. Adoptar la posición sentada.
2. Insertar la Intelligent Key.
3. Colocar el interruptor de seguridad en "1".
4. Colocar el interruptor de programa en "Transporte".
5. Ajustar la dirección de marcha con el interruptor de dirección de marcha en el terminal de control.
6. Determinar la velocidad de conducción presionando el pedal del acelerador.
7. Soltar el pedal del acelerador.

El equipo se detiene.

El motor se desconecta en caso de sobrecarga. En la pantalla aparece un mensaje de fallo. Si el control se sobrecalienta, la unidad afectada se apaga.

8. Dejar que el equipo se enfríe durante, al menos, 15 minutos.
9. Ajustar el interruptor de programa en "OFF", esperar brevemente y configurar el programa deseado.

Llenado de agua limpia

Llenado de agua fresca con el sistema de llenado

1. Conectar la manguera de agua al empalme de conexión del sistema de llenado (temperatura máxima del agua 50 °C).
2. Abra la entrada de agua.
3. Supervisar el equipo, el sistema automático de llenado interrumpe la entrada de agua cuando el depósito de agua fresca está lleno.
4. Cerrar la entrada de agua.
5. Retirar la manguera de agua.

Llenado de agua limpia

1. Abrir el cierre del depósito de agua limpia.
2. Añadir agua limpia (máximo 50 °C) hasta el borde inferior de la tubuladura de llenado.
Aviso: El tubo flexible de agua limpia puede engancharse con el portamangueras durante el llenado.
3. Cerrar el cierre del depósito de agua limpia.

Llenado del detergente

Indicaciones sobre los detergentes

⚠️ ADVERTENCIA

Detergentes inadecuados

Peligro para la salud, daños en el equipo
Utilice únicamente detergentes recomendados. Si se utilizan otros detergentes, el operador asume un elevado riesgo en cuanto a la seguridad operacional y de accidentes. Utilice únicamente detergentes que no contengan cloro, disolventes, ácido fluorhídrico ni ácido clorhídrico. Tenga en cuenta las instrucciones de seguridad del detergente.

Nota

No utilice detergentes muy espumosos.

Detergentes recomendados

Uso	Detergente
Limpieza de mantenimiento de todo tipo de suelos resistentes al agua	RM 746 RM 756 RM 780
Limpieza de mantenimiento de superficies pulidas (p. ej., granito)	RM 755 es
Limpieza de mantenimiento, limpieza intermedia y limpieza a fondo de suelos industriales	RM 69 ASF
Limpieza de mantenimiento y limpieza a fondo de azulejos de gres cerámico fino	RM 753
Limpieza de mantenimiento de azulejos en instalaciones sanitarias	RM 751
Decapado de suelos resistentes a los álcalis (p. ej., PVC)	RM 752
Decapado de suelos de linóleo	RM 754

Llenado del detergente con un dispositivo de dosificación

En la variante DOSE:

Se agrega detergente al agua fresca en el camino hacia el cabezal de limpieza mediante un dispositivo de dosificación.

1. Desbloquear el depósito de agua sucia y girarlo hacia atrás.
2. Llenar el recipiente de detergente con detergente.
3. Girar hacia delante el depósito de agua sucia.

Nota

Se puede agregar un máximo de 3 % de detergente con el dispositivo de dosificación. Si la dosis es mayor, el detergente debe añadirse al depósito de agua fresca.

Llenado de detergente en el depósito de agua fresca

1. Introducir el detergente en el depósito de agua limpia.
Aviso: Se puede utilizar la tapa del orificio de llenado del depósito de agua limpia para medir la cantidad de detergente. Dispone de una escala en el lado interior.

Establecimiento de parámetros

1. Ajustar el interruptor de programa al programa de limpieza deseado.
2. Girar el botón de información hasta que aparezca el parámetro deseado.
3. Pulsar el botón de información.
El valor establecido parpadea.
4. Ajustar el valor deseado girando el botón de información.

5. Confirmar el ajuste modificando pulsando el botón de información o esperar hasta que el valor ajustado se confirme de forma automática tras un período de 10 segundos.

Intelligent Key amarilla

La Intelligent Key amarilla autoriza las funciones necesarias para la tarea de limpieza.

Los parámetros para los diversos programas de limpieza están preestablecidos en el equipo. Dependiendo de la autorización de la Intelligent Key amarilla, se pueden cambiar los parámetros individuales.

Los textos en pantalla para el ajuste de parámetros se explican en gran medida por sí mismos.

Parámetro "FACT" (solo disponible con el cabezal de limpieza R):

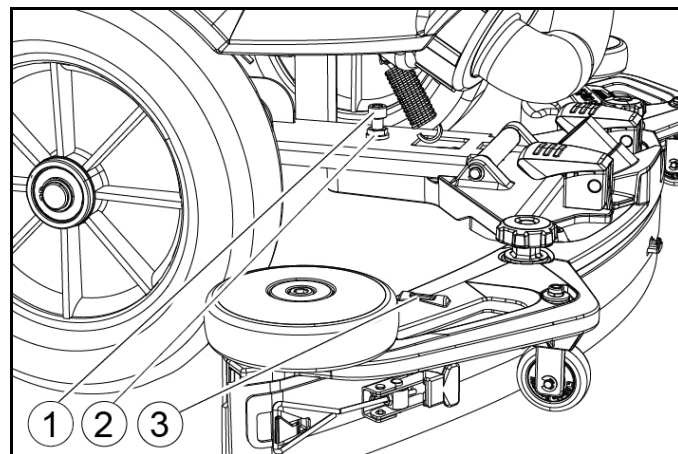
- "Fine Clean": baja velocidad de rotación de cepillos para eliminar la película gris del gres cerámico fino.
- "Whisper Clean": velocidad media de rotación de cepillos para la limpieza de mantenimiento con un nivel sonoro reducido.
- "Power Clean": alta velocidad de rotación de cepillos para pulir, cristalizar y barrer.

Ajuste de la barra de aspiración

Ajuste de la inclinación

La inclinación debe ajustarse de modo que los labios de aspiración de la barra de aspiración se apoyen sobre el suelo en toda su longitud y de forma uniforme.

1. Colocar el equipo en una superficie sin pendiente.
2. Girar el interruptor de programa a la posición "Aspiración".
3. Desplazar un poco el equipo hacia delante.
4. Leer el nivel del agua.



- ① Tornillo
- ② Tuerca
- ③ Nivel del agua
5. Afloje la tuerca.
6. Ajustar el tornillo de modo que el indicador de nivel de agua esté entre las dos líneas.
7. Apriete la tuerca.
8. Para verificar la nueva configuración, desplazar el equipo un poco hacia delante otra vez. Repetir el proceso de configuración si es necesario.
9. Girar el interruptor de programa a la posición "OFF".

Ajuste de la altura

El ajuste de altura influye en la flexión de los labios de aspiración en contacto con el suelo.

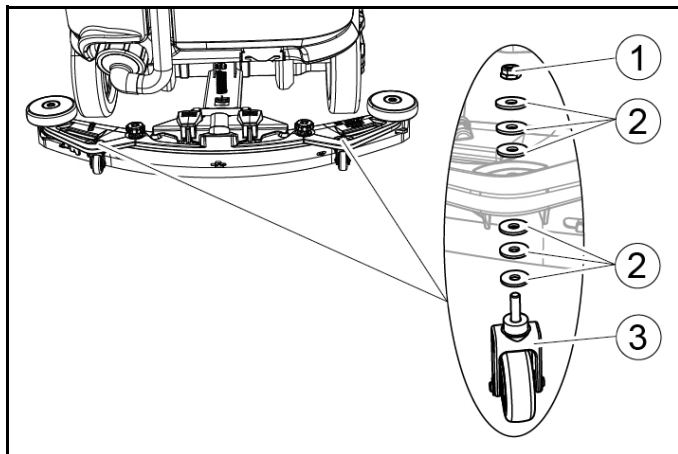
Nota

Ajuste básico: 3 arandelas en la parte superior, 3 arandelas en la parte inferior de la barra de aspiración.

Suelo desigual: 5 arandelas en la parte superior, 1 arandela en la parte inferior de la barra de aspiración.

Suelo muy liso: 1 arandela en la parte superior, 5 arandelas en la parte inferior de la barra de aspiración.

1. Desenrosque la tuerca.



① Tuerca

② Arandela

③ Rueda distanciadora con soporte

2. Colocar el número de arandelas deseado entre la barra de aspiración y la rueda distanciadora.

3. Colocar el resto de arandelas sobre la rueda distanciadora.

4. Atornillar y fijar la tuerca.

5. Repetir el proceso en la segunda rueda distanciadora.

Nota

Ajustar ambas ruedas distanciadoras a la misma altura.

Ajuste de los labios rascadores

Los labios rascadores solo deben ajustarse en el cabezal de limpieza D.

1. Ajustar los labios rascadores girando la rueda de ajuste para que el labio rascador toque el suelo.

2. Girar la rueda de ajuste 1 vuelta más hacia abajo.

Limpieza

1. Sentarse en el asiento.

2. Insertar la Intelligent Key.

3. Colocar el interruptor de seguridad en la posición "1".

4. Colocar el interruptor de dirección de desplazamiento en marcha hacia delante.

5. Ajustar el interruptor de programa al programa de limpieza deseado.

6. Determinar la velocidad con el pedal del acelerador.

7. Seleccionar la dirección de marcha con el volante.

8. Pasar por la superficie a limpiar.

Conjunto de frotadores laterales (opcional)

El conjunto de frotadores laterales facilita el trabajo cerca del borde.

Nota

El conjunto de frotadores laterales no está activo en los programas de limpieza Pulido y Aspiración.

1. Accionar el interruptor del conjunto de frotadores laterales. El conjunto de frotadores laterales se activa.
2. Para terminar de trabajar con el conjunto de frotadores laterales, ajustar el interruptor del conjunto de frotadores laterales en "0".

Finalización del servicio

Finalización de la limpieza

1. Poner el interruptor de programa en desplazamiento.
2. Seguir circulando durante una distancia corta. Se aspira el agua restante.
3. Girar el interruptor de programa a la posición "OFF".
4. Retirar la Intelligent Key.
5. En caso necesario, cargar la batería.

Purga de agua sucia

⚠ ADVERTENCIA

Eliminación incorrecta de aguas residuales

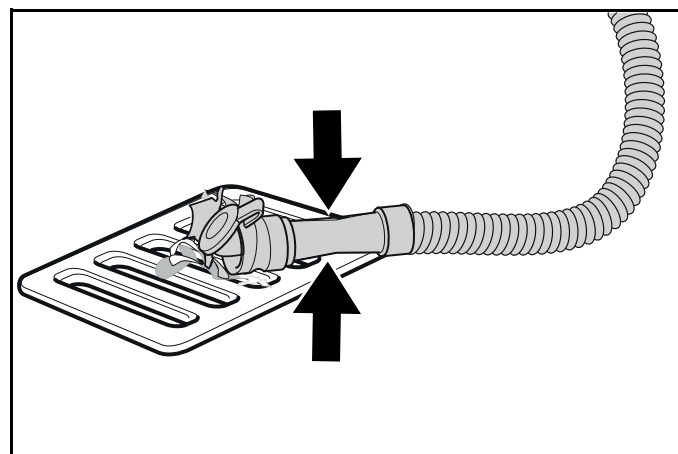
Contaminación del medioambiente

Tenga en cuenta las normativas locales en materia de tratamiento de aguas residuales.

Nota

Cuando el depósito de agua sucia está lleno, el flujo de aspiración se interrumpe por un flotador para evitar que el depósito de agua sucia se desborde. En ese caso, drenar el agua sucia.

1. Retirar la manguera de desagüe de agua sucia de la sujeción y abrir la cubierta de la manguera de desagüe.



2. Apretar el extremo de la manguera y bajarla sobre la instalación de eliminación.

3. Regular la fuerza del chorro de agua sucia apretando el extremo de la manguera.

4. Enjuagar el depósito de agua sucia con agua limpia.

5. Cerrar la tapa de la manguera de desagüe.

6. Presionar la manguera de agua sucia en la sujeción del equipo.

Sistema de enjuague del depósito de agua sucia (opcional)

1. Retirar la manguera de desagüe de agua sucia de la sujeción y abrir la cubierta de la manguera de desagüe.
2. Cerrar la tapa del depósito de agua sucia.
3. Conectar una manguera de entrada de agua a la conexión de agua del sistema de enjuague del depósito de agua sucia.
4. Abrir la entrada de agua y enjuagar el depósito de agua sucia durante aproximadamente 30 segundos.
5. Repetir el proceso de enjuague de 2 a 3 veces si es necesario.
6. Cerrar la entrada de agua.
7. Desconecte la manguera de entrada de agua del equipo.
8. Cerrar la manguera de desagüe de agua sucia y presionarla en la sujeción.

Vaciado del contenedor de suciedad gruesa

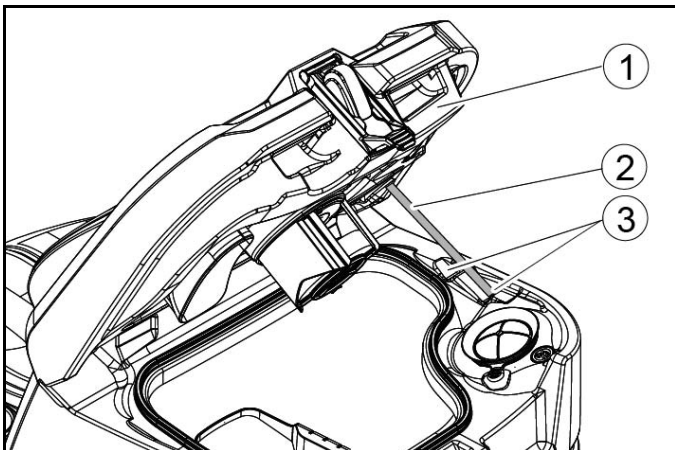
1. Levantar el contenedor de suciedad gruesa y extraerlo.
2. Vaciar el contenedor de suciedad gruesa.
3. Volver a colocar el contenedor de suciedad gruesa.

Purga de agua limpia

1. Abrir el cierre del depósito de agua fresca.
2. Vacíe el agua fresca.
3. Limpiar el filtro.
4. Colocar el cierre del depósito de agua fresca.

Parada del equipo

1. Girar el interruptor de programa a la posición "OFF".
2. Retirar la Intelligent Key.
3. Asegurar el equipo para que no se mueva.
4. Abrir la tapa del depósito de agua sucia y asegurarlo con el soporte para que el depósito de agua sucia pueda secarse. Para hacer esto, bajar el soporte hacia abajo y colocar el extremo inferior en el nivel deseado al bajar la cubierta.



- ① Tapa del depósito de agua sucia
 - ② Soporte
 - ③ Etapa
5. En caso necesario, cargar la batería.

Intelligent Key gris

La Intelligent Key gris le da al personal de supervisión autorizaciones ampliadas y opciones de ajuste.

1. Insertar la Intelligent Key.
2. Seleccionar la función deseada girando el botón de información.

Desplazamiento de transporte

1. Colocar el interruptor de programa en "Transporte".
2. Pulsar el botón de información.

En el menú Transporte se pueden llevar a cabo las siguientes funciones:

- Ajustar la velocidad máxima
- Mostrar el contador de las horas de servicio
- Borrar el contador de mantenimiento
- Mostrar las versiones de software
- Ajustar el cabezal de limpieza R o D
- Encender/apagar la dosificación de agua dependiente de la velocidad
- Establecer los tiempos de marcha en inercia
- Establecimiento del idioma
- Gestión de claves
- Activar/desactivar los juegos de montaje
- Activar la configuración de fábrica

Velocidad máxima

En el menú "Velocidad máxima" se puede limitar la velocidad máxima.

1. Girar el botón de información hasta que aparezca en la "Velocidad máxima" en la pantalla.
2. Pulsar el botón de información.
3. Girar el botón de información hasta que se muestre la velocidad máxima deseada.
4. Pulsar el botón de información.

Nota

La velocidad de trabajo no puede superar la velocidad máxima establecida.

Restablecimiento del contador de mantenimiento

Si el trabajo de mantenimiento que se muestra en la pantalla se ha llevado a cabo, el contador de mantenimiento correspondiente debe reiniciarse.

1. Girar el botón de información hasta que aparezca "Contadores mant."
2. Pulsar el botón de información.
Se muestran las lecturas del contador.
3. Girar el botón de información hasta que se resalte el contador que se va a borrar.
4. Pulsar el botón de información.
5. Seleccionar "Sí" girando el botón de información.
6. Pulsar el botón de información.
El contador se borra.

Ajustar el cabezal de limpieza

1. Girar el botón de información hasta que aparezca "Cepillo" en el menú.
2. Pulsar el botón de información.
3. Girar el botón de información hasta que se marque el tipo de cabezal de limpieza montado.
"Roll" = cabezal de limpieza R
"Disc" = cabezal de limpieza D
4. Pulsar el botón de información.

Dosificación de agua dependiente de la velocidad

Si se activa la dosificación de agua dependiente de la velocidad, la aplicación del agua de los cepillos cambia proporcionalmente con la velocidad.

La dosificación del agua también se ve influenciada por el ajuste del correspondiente programa de limpieza (0...100 %).

Ajuste	ON [ml/m ²]	OFF [l/min]
0%	0	0
10%	7,5	0,6
20%	15	1,1
30%	22,5	1,7
40%	30	2,3
50%	37,5	2,8
60%	45	3,4
70%	52,5	3,9
80%	60	4,5
90%	67,5	5,1
100%	75	5,7

Ajustar la dosificación de agua constante o dependiente de la velocidad:

1. Girar el botón de información hasta que aparezca "Modo dosi. agua" en la pantalla.
2. Pulsar el botón de información.
3. Girar el botón de información hasta que se marque el funcionamiento deseado.
4. Pulsar el botón de información.

Tiempos de marcha en inercia

1. Girar el botón de información hasta que la opción de menú "Tiempos desacele." aparezca en la pantalla.
2. Pulsar el botón de información.
3. Girar el botón de información hasta que esté marcado el módulo deseado.
4. Pulsar el botón de información.
5. Girar el botón de información hasta que se muestre el tiempo de marcha en inercia deseado.
6. Pulsar el botón de información.

Establecimiento del idioma

1. Girar el botón de información hasta que la opción de menú "Idioma" aparezca en la pantalla.
2. Pulsar el botón de información.
3. Girar el botón de información hasta que esté marcado el idioma deseado.
4. Pulsar el botón de información.

Gestión de claves

En la opción de menú "Las KIK" se habilitan las autorizaciones para la Intelligent Key amarilla y el idioma de la pantalla.

1. Insertar la Intelligent Key gris.
2. Girar el botón de información hasta que aparezca la opción de menú "Las KIK" en la pantalla.
3. Pulsar el botón de información.
4. Retirar la Intelligent Key gris e insertar la Intelligent Key amarilla para personalizarla.
5. Seleccionar el elemento del menú que se va a cambiar girando el botón de información.
6. Pulsar el botón de información.
7. Seleccionar el ajuste del elemento del menú girando el botón de información.
8. Confirmar el ajuste presionando la opción de menú.

9. Seleccionar la siguiente opción de menú que se va a cambiar girando el botón de información.
10. Después de realizar todas las configuraciones, acceder al menú "Confirmar" girando el botón de información.
11. Pulsar el botón de información.
Las autorizaciones se guardan.

Activar/desactivar los juegos de montaje

1. Girar el botón de información hasta que se muestre el juego de montaje deseado en la pantalla.
2. Pulsar el botón de información.
3. Girar el botón de información hasta que se marque el funcionamiento deseado del juego de montaje.
4. Pulsar el botón de información.

Ajuste de fábrica

Se restablece la configuración de fábrica de todos los parámetros de limpieza.

1. Girar el botón de información hasta que se muestre la opción de menú "Ajustes de fábrica".
2. Pulsar el botón de información.
3. Girar el botón de información hasta que se resalte "Sí".
4. Pulsar el botón de información.

Ajuste de los parámetros para los programas de limpieza

Todos los parámetros para los programas de limpieza se guardan hasta que se seleccione otra configuración.

1. Ajustar el interruptor de programa al programa de limpieza deseado.
2. Pulsar el botón de información.
Aparece el primer parámetro ajustable.
3. Pulsación del botón de información
El valor establecido parpadea.
4. Ajustar el valor deseado girando el botón de información.
5. Confirmar el ajuste modificado pulsando el botón de información o esperar hasta que el valor ajustado se confirme de forma automática tras un período de 10 segundos.
6. Seleccionar el siguiente parámetro girando el botón de información.
7. Tras modificar todos los parámetros deseados, girar el botón de información hasta que aparezca la opción de menú "Salir".
8. Pulsar el botón de información.
Se abandona el menú.

Transporte

⚠ PELIGRO

Circulación por superficies inclinadas

Peligro de lesiones

Utilice el equipo para la carga y descarga únicamente sobre superficies inclinadas de hasta el valor máximo (véase el capítulo "Datos técnicos").

Circular a baja velocidad.

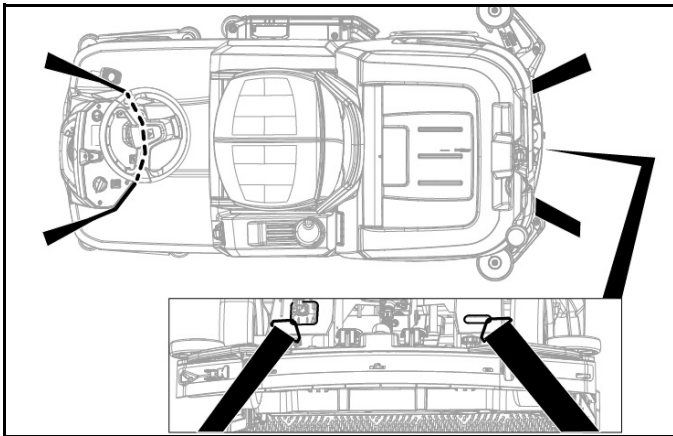
⚠ PRECAUCIÓN

Inobservancia del peso

Peligro de lesiones y daños

Tenga en cuenta el peso del equipo durante el transporte.

1. Con el cabezal de limpieza D instalado, retirar los cepillos circulares del cabezal de cepillos.
2. Al transportar el equipo en vehículos, asegurarlo para evitar que resbale y vuelque conforme a las directivas vigentes.



Almacenamiento

⚠ PRECAUCION

Peligro de daños y lesiones por incumplimiento del peso

Tenga en cuenta el peso del equipo para su almacenamiento.

CUIDADO

Helada

Destrucción del equipo debido a agua congelada

Vacíe todo el agua del equipo.

Conserve el equipo en un lugar sin heladas.

- Este equipo solo debe almacenarse en interiores.
- Cargar las baterías completamente antes de guardarlas durante mucho tiempo.
- Cargar completamente las baterías una vez al mes como mínimo mientras estén guardadas.

Conservación y mantenimiento

⚠ PELIGRO

Equipo que arranca involuntariamente

Riesgo de lesiones, descarga eléctrica

Gire el interruptor de programa a la posición "OFF".

Tire de la Intelligent Key antes de realizar cualquier trabajo en el equipo.

Extraiga el conector de red del cargador.

Desenchufe el conector de la batería.

- Purgar y eliminar el agua sucia y el agua limpia.

Intervalos de mantenimiento

Tras cada servicio

CUIDADO

Limpieza incorrecta

Peligro de daños.

No pulverice el equipo con agua.

No utilice detergentes agresivos.

Para la descripción detallada de los diferentes trabajos de mantenimiento, véase el capítulo "Trabajos de mantenimiento".

- Purgar el agua sucia.
- Enjuagar el depósito de agua sucia con agua limpia.
- Limpiar el filtro de partículas de suciedad gruesas.
- Solo cabezal de limpieza R: sacar el depósito de suciedad gruesa y vaciarlo.

- Limpiar el exterior del equipo con un paño humedecido en lejía.
- Limpiar los labios de aspiración, comprobar el desgaste y sustituirlos si es necesario.
- Limpiar los labios rascadores, comprobar el desgaste y sustituirlos si es necesario.
- Limpiar los cepillos, comprobar el desgaste y sustituirlos si es necesario.
- Cargar la batería.

Batería de plomo:

- Si el estado de carga es inferior al 50 %, cargar completamente la batería sin interrupción.
- Si el estado de carga es superior al 50 %, recargar la batería solo si se necesita un tiempo de funcionamiento completo durante la próxima utilización.

Batería de iones de litio:

- Recargar según sea necesario.

Semanalmente

- Con un servicio regular, cargar la batería por completo y sin interrupción una vez por semana como mínimo.

Mensualmente

Para la descripción detallada de los diferentes trabajos de mantenimiento, véase el capítulo "Trabajos de mantenimiento".

- Si el equipo se detiene temporalmente: realizar la carga de compensación de la batería.
- Comprobar la oxidación de los polos de la batería y cepillarlos en caso necesario. Comprobar que el cable de conexión está bien fijado.
- Limpiar las juntas entre el depósito de agua sucia y la tapa y comprobar la estanqueidad. Sustituir en caso necesario.
- Vaciar el depósito de agua limpia y limpiar las incrustaciones.
- Limpiar el filtro de agua limpia.
- Si se trata de baterías que necesitan mantenimiento, comprobar la densidad del ácido de las celdas.
- Solo cabezal de limpieza R: limpiar el túnel del cepillo.
- Solo cabezal de limpieza R: limpiar la barra de distribución de agua en el cabezal de limpieza.
- Durante largos tiempos de inactividad, desconectar el equipo con la batería completamente cargada. Cargar completamente la batería una vez al mes como mínimo.

Anualmente

- Solicitar al servicio técnico la inspección obligatoria.

Inspección de seguridad/contrato de mantenimiento

Puede acordar con su distribuidor una inspección de seguridad periódica o firmar un contrato de mantenimiento. Obtenga asesoramiento.

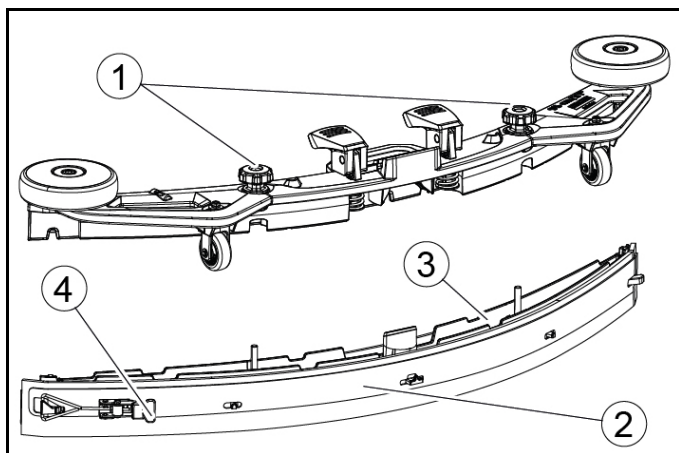
Trabajos de mantenimiento

Giro o sustitución de los labios de aspiración

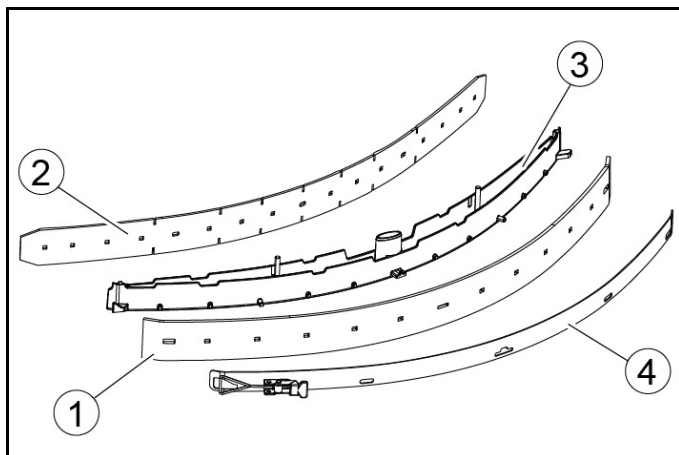
Si los labios de aspiración están desgastados, deben girarse o sustituirse.

Los labios de aspiración se pueden girar tres veces hasta que los cuatro bordes estén desgastados.

1. Retirar la barra de aspiración.
2. Desenroscar las empuñaduras de estrella.



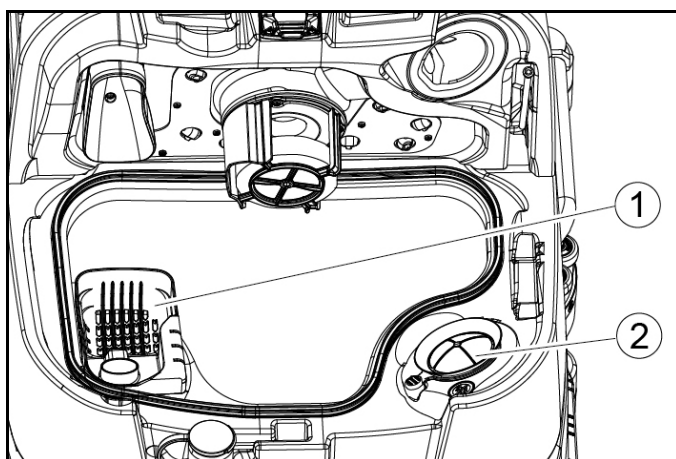
- 1 Empuñadura en estrella
 - 2 Cinta de sujeción
 - 3 Parte interior de la barra de aspiración
 - 4 Cierre de tensión
3. Sacar la parte interior de la barra de aspiración.
 4. Abrir el cierre de tensión.
 5. Retirar la cinta de sujeción.
 6. Soltar los labios de aspiración de la parte interior.



- 1 Labio rascador
 - 2 Labio de soporte
 - 3 Parte interior de la barra de aspiración
 - 4 Cinta de sujeción
7. Presionar los labios de aspiración girados o nuevos sobre las perillas de la parte interior de la barra de aspiración.
 8. Colocar la cinta de sujeción.
 9. Empujar la parte interior de la barra de aspiración a en la parte superior.
 10. Enroscar y atornillar las empuñaduras de estrella.

Limpeza del filtro de partículas de suciedad gruesas

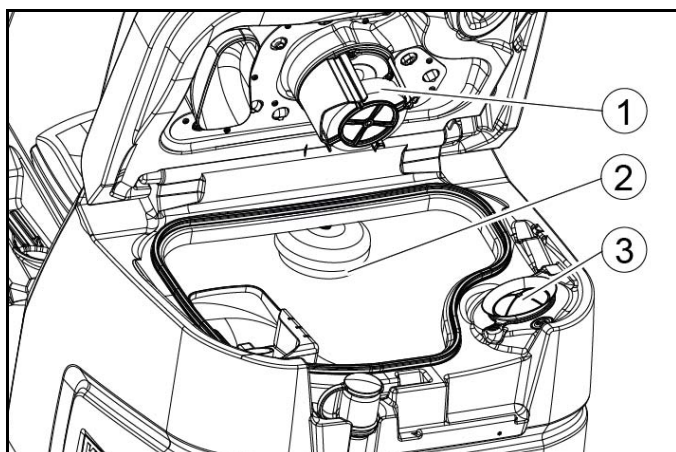
1. Abrir la tapa del depósito de agua sucia.



- 1 Filtro de partículas de suciedad gruesas
 - 2 Filtro de pelusas
2. Extraer hacia arriba el filtro de partículas de suciedad gruesas.
 3. Enjuagar el filtro de partículas de suciedad gruesas con agua corriente.
 4. Introducir el filtro de partículas de suciedad gruesas en el depósito de agua sucia.

Limpeza del flotador y del filtro de pelusas

1. Abrir la tapa del depósito de agua sucia.



- 1 Flotador
 - 2 Interruptor flotador
 - 3 Filtro de pelusas
2. Enjuagar el flotador con agua limpia.
 3. Enjuagar el interruptor flotador con agua limpia.
 4. Quitar y limpiar el filtro de pelusas.

Sustitución del cepillo circular

Nota

Reemplace los cepillos circulares cuando la longitud de las cerdas haya alcanzado los 10 mm.

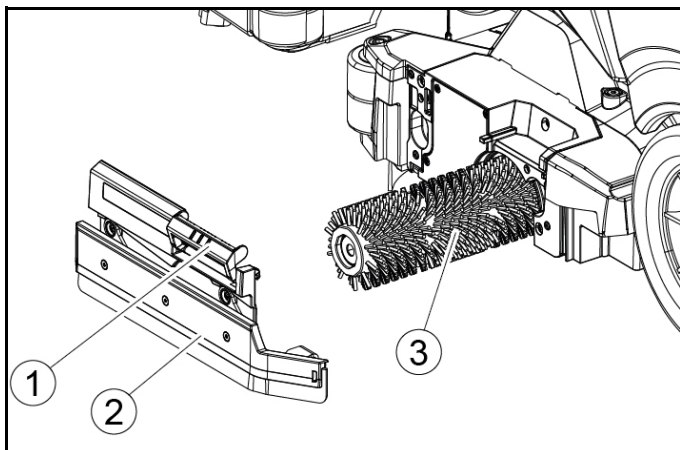
1. Levantar el cabezal de limpieza.
2. Presionar el pedal de cambio de cepillos hacia abajo.
3. Extraer el cepillo circular lateralmente por debajo del cabezal de limpieza.
4. Mantener el nuevo cepillo circular bajo el cabezal de limpieza, presionar hacia arriba y encajarlo.

Sustitución de los cilindros de cepillos

Nota

Reemplazar los cilindros de cepillos cuando la longitud de las cerdas haya alcanzado los 10 mm.

1. Eleve el cabezal de limpieza.
2. Sacar la empuñadura del cambio de cepillos.



1. Empuñadura del cambio de cepillos
 2. Tapa del cojinete con labio rascador
 3. Cilindro de cepillos
3. Retirar la tapa del cojinete, incluido el labio rascador.
 4. Sacar el cilindro de cepillos.
 5. Insertar el nuevo cilindro de cepillos y centrarlo en el dispositivo de arrastre.

1. Dispositivo de arrastre
2. Mandril

6. Instalar la tapa del cojinete con el labio rascador.

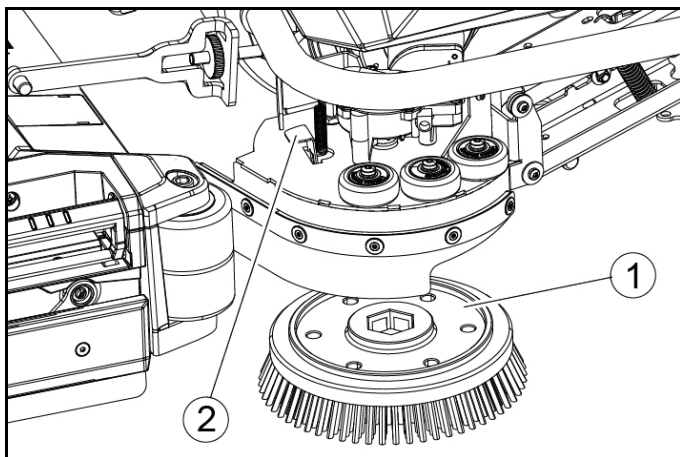
Nota

Asegúrese de que el cilindro de cepillos esté sobre el mandril y no debajo.

7. Mover la empuñadura del cambio de cepillos hacia arriba y encajarla.
8. Repetir el proceso en el lado opuesto.

Sustitución del cepillo del conjunto de frotadores laterales (opcional)

1. Presionar hacia abajo la palanca del cambio de cepillos.



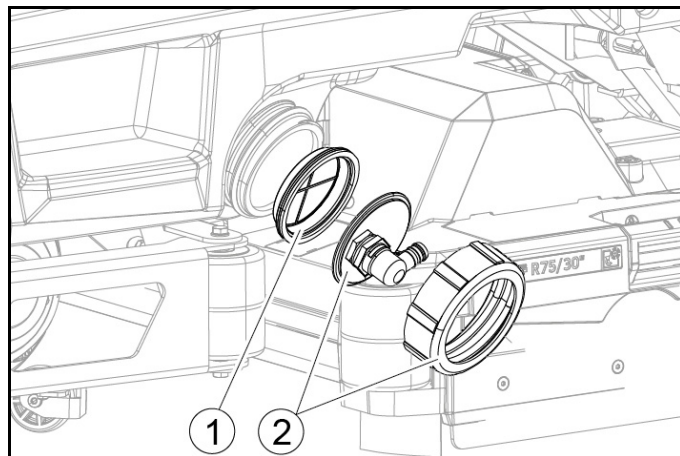
1. Cepillo conjunto de frotadores laterales
2. Palanca del cambio de cepillos

El cepillo se cae de la sujeción.

2. Mantener el nuevo cepillo bajo el conjunto de frotadores laterales, presionar hacia arriba y encajarlo

Limpieza del filtro de agua limpia

1. Drenar el agua fresca (véase el capítulo "Drenaje de agua fresca").
2. Desenroscar el cierre del depósito de agua limpia.

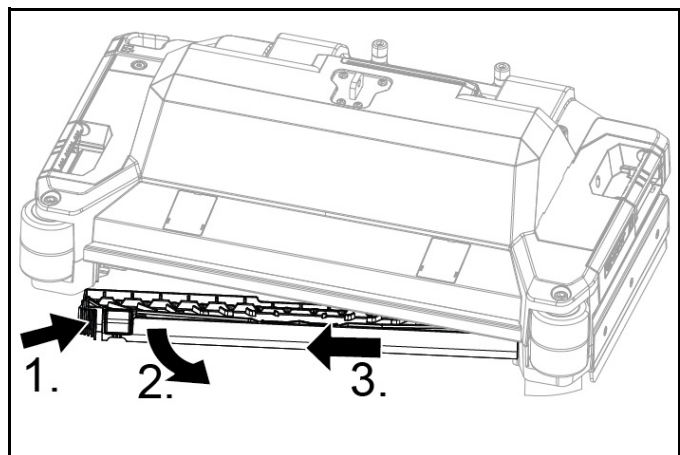


1. Filtro de agua limpia
 2. Cierre del depósito de agua limpia
3. Extraer el filtro de agua limpia y enjuagarlo con agua limpia.
 4. Colocar el filtro de agua limpia.
 5. Colocar el cierre del depósito de agua limpia.

Aviso: Prestar atención a que la conexión de manguera en el cierre del depósito de agua limpia esté en el punto más bajo tras el apretado.

Limpieza de la barra de distribución de agua

1. Presionar el desbloqueo en la dirección de la flecha y mantener.



2. Girar la barra de distribución de agua hacia adelante.
3. Sacar la barra de distribución de agua en dirección longitudinal.
4. Limpiar la barra de distribución de agua.
5. Volver a colocar la barra de distribución de agua en el cabezal de limpieza y encajar el cierre.

Limpieza de las baterías

1. Usar gafas, vestuario y guantes de protección.
2. Mantener los tapones de las celdas de la batería cerrados.
3. Desmontar las baterías.
4. Limpiar únicamente las piezas de plástico de las baterías y el compartimento de la batería con agua o paños de limpieza empapados en agua sin aditivos.
5. Secar las superficies después de la limpieza.
6. Volver a instalar las baterías.

Restablecer el contador de mantenimiento

Si el trabajo de mantenimiento que se muestra en la pantalla se ha llevado a cabo, el contador de mantenimiento correspondiente debe reiniciarse.

Nota

El restablecimiento de los contadores de mantenimiento se describe en el capítulo "Intelligent Key gris".

Ayuda en caso de fallos

⚠ PELIGRO

El equipo puede arrancar de manera imprevista

Las personas que trabajan en el equipo pueden lesionarse. Tire de la Intelligent Key antes de realizar cualquier trabajo en el equipo.

Antes de realizar cualquier trabajo, desconecte el conector de red del cargador interno.

Desconecte el conector de la batería antes de realizar cualquier trabajo.

1. Purgar el agua sucia.
2. Drenar el agua fresca restante.

Fallo	Solución
Dep. agua fres. vacío	1. Rellenar el depósito de agua fresca
Válv. agua bloqueada	1. Colocar el interruptor de programa en posición "OFF". 2. Esperar 10 segundos. 3. Ajustar el interruptor de programa en el programa deseado.
Sobrecarga cep. prin.	1. Reducir la presión de empuje de los cepillos.
Cep. prin. bloqueado	1. Comprobar si hay algún cuerpo extraño que bloquea los cepillos y retirar el cuerpo extraño en caso necesario. 2. Colocar el interruptor de programa en posición "OFF". 3. Esperar 10 segundos. 4. Ajustar el interruptor de programa en el programa deseado.
Sobrecarga cep. lat.	1. Reducir la presión de empuje del cepillo del conjunto de frotadores laterales.
Cep. lat. bloqueado	1. Comprobar si hay algún cuerpo extraño que bloquea el cepillo y retirar el cuerpo extraño en caso necesario. 2. Colocar el interruptor de programa en posición "OFF". 3. Esperar 10 segundos. 4. Ajustar el interruptor de programa en el programa deseado.
Dep. agua sucia lleno	1. Vaciar el depósito de agua sucia.
Sobrecarga mot. acc.	1. La pendiente es demasiado alta. a En servicio de limpieza: cancelar la limpieza. b En desplazamiento de transporte: buscar un camino con una pendiente más baja.
Motor acc. bloqueado	1. Verificar que las ruedas no estén bloqueadas, retirar los cuerpos extraños. 2. Colocar el interruptor de programa en posición "OFF". 3. Si el motor se ha sobrecalentado, dejar enfriar durante al menos 15 minutos; de lo contrario, esperar 10 segundos. 4. Ajustar el interruptor de programa en el programa deseado.
Niv. batería bajo	1. Colocar el selector de programas en Transporte. 2. Conducir el equipo directamente al cargador (o con un cargador interno a la toma de corriente). Evitar pendientes. 3. Cargue la batería.
Batería vacía	1. Colocar el selector de programas en Transporte. 2. Conducir el equipo por la ruta más corta hacia el cargador (o a la toma de corriente en el caso de un cargador interno). Evitar pendientes. 3. Cargue la batería.
Cerrar cont. asi.	1. Dejar el asiento del conductor brevemente para que el control pueda verificar el funcionamiento del interruptor de contacto del asiento.
Encender!	1. Colocar el interruptor de seguridad en "1".
Reiniciar máquina	1. Colocar el interruptor de programa en posición "OFF". 2. Esperar 10 segundos. 3. Ajustar el interruptor de programa en el programa deseado.
Soltar acelerador	1. Soltar el pedal del acelerador.

Nota

Si el fallo no se puede resolver con las siguientes instrucciones, ponerse en contacto con el servicio de posventa.

Averías con indicación

Si el fallo que se muestra no está en la siguiente lista, realice los siguientes pasos:

1. Girar el interruptor de programa a la posición "OFF".
2. Esperar 10 segundos.
3. Ajustar el interruptor del programa a la función anterior.
4. En caso de que se repita el fallo, ponerse en contacto con el servicio de posventa.

Fallos sin indicación en la pantalla

Fallo	Solución
El equipo no se puede encender	<ol style="list-style-type: none"> 1. Sentarse en el asiento. 2. Antes de encender el interruptor de seguridad, quitar el pie del pedal del acelerador. 3. Colocar el interruptor de seguridad en "1". 4. Comprobar las baterías y recargar en caso necesario. 5. Colocar el interruptor del programa en posición "OFF". 6. Esperar 10 segundos. 7. Ajustar el interruptor de programa en el programa deseado. 8. Si es posible, desplazar el equipo solo en plano. 9. En caso necesario, comprobar el freno de estacionamiento. En caso de que se repita el fallo, llamar al servicio de posventa.
El equipo ya no se mueve, la pantalla muestra "Batería vacía"	<ol style="list-style-type: none"> 1. Colocar el interruptor de programa en posición "OFF". 2. Esperar 10 segundos. 3. Colocar el interruptor de programa en "Transporte". 4. Conducir hasta la estación de carga. 5. Si el equipo sigue sin moverse, cargar la batería in situ o desbloquear el freno (véase "Servicio/Empuje del equipo") y empujar el equipo hasta la estación de carga.
El equipo se mueve de forma irregular (tirones) al arrancar y parar.	<ol style="list-style-type: none"> 1. Anular el desbloqueo del freno (consultar "Servicio/Empuje del equipo").
El indicador de agua fresca muestra un nivel de llenado incorrecto tras el vaciado manual del depósito	<ol style="list-style-type: none"> 1. Usar el equipo. Durante el servicio, el sistema de mangueras se purga y el indicador de nivel de llenado se corrige solo.
La barra del indicador de nivel de llenado parpadea, se muestra "Dep. agua fres. vacío"	<ol style="list-style-type: none"> 1. Rellenar el depósito de agua fresca.
La cantidad de agua es insuficiente	<ol style="list-style-type: none"> 1. Verificar el nivel de llenado del agua fresca. Si es necesario llenar el depósito por completo para que el aire salga. 2. Retirar y limpiar el filtro de agua fresca. 3. Insertar el filtro y atornillar el cierre. 4. Solo cabezal de limpieza R: retirar la tira de distribución de agua en el cabezal de limpieza. 5. Solo cabezal de limpieza R: limpiar el canal de agua. 6. Comprobar si las mangueras están obstruidas y limpiarlas en caso necesario.
La potencia de aspiración es insuficiente	<ol style="list-style-type: none"> 1. Limpiar las juntas entre el depósito de agua sucia y la tapa y comprobar la estanqueidad. Sustituir en caso necesario. 2. Comprobar si el filtro de pelusas está sucio y limpiarlo en caso necesario. 3. Limpiar los labios de aspiración en la barra de aspiración y, en caso necesario, girarlos o sustituirlos. 4. Cerrar la tapa de la manguera de desagüe de agua sucia. 5. Cerrar la tapa del sistema de enjuague del depósito de agua sucia. 6. Comprobar si la manguera de aspiración está obstruida y limpiarla en caso necesario. 7. Comprobar la estanqueidad de la manguera de aspiración y sustituirla en caso necesario. 8. Comprobar el ajuste de la barra de aspiración.
El resultado de limpieza es deficiente	<ol style="list-style-type: none"> 1. Ajustar el programa de limpieza apropiado para la tarea de limpieza. 2. Usar cepillos adecuados para la tarea de limpieza. 3. Usar un detergente adecuado para la tarea de limpieza. 4. Reducir la velocidad. 5. Establecer la presión de empuje. 6. Ajustar los labios rascadores. 7. Comprobar el desgaste del cepillo y sustituirlo en caso necesario. 8. Comprobar la distribución de agua.

Fallo	Solución
Los cepillos no giran	<ol style="list-style-type: none"> 1. Reducir la presión de empuje. 2. Comprobar si hay algún cuerpo extraño que bloquea los cepillos y retirar el cuerpo extraño en caso necesario. 3. Si el motor está sobrecargado, dejar que se enfríe. 4. Colocar el interruptor del programa en posición "OFF". 5. Esperar 10 segundos. 6. Ajustar el interruptor de programa en el programa deseado. 7. Comprobar si el conector del equipo está conectado al cabezal de limpieza.
El equipo no frena	<ol style="list-style-type: none"> 1. Anular la habilitación del freno (consulte "Servicio/Deslizamiento del equipo").
La manguera de desagüe de agua sucia está obstruida	<ol style="list-style-type: none"> 1. Abrir la tapa del dispositivo de dosificación de la manguera de desagüe. 2. Sacar la manguera de aspiración de la barra de aspiración y cerrarla manualmente. 3. Poner el interruptor de programa en "Aspiración". La obstrucción se aspira desde la manguera de desagüe hacia el depósito de agua sucia.
La dosificación de detergente Dose no funciona	<ol style="list-style-type: none"> 1. Solo versión Dose: llamar al servicio de posventa.

Datos técnicos

		B 110 R 65	B 110 D 65	B 110 R 75	B 110 D 75
Generalidades					
Velocidad de desplazamiento/limpieza	km/h	6	6	6	6
Velocidad de transporte	km/h	6	6	6	6
Velocidad de conducción, hacia atrás	km/h	4	4	4	4
Rendimiento teórico en superficie	ft ² /h (m ² /h)	41979 (3900)	41979 (3500)	48438 (4500)	48438 (4500)
Rendimiento teórico en superficie con conjunto de frotadores laterales	ft ² /h (m ² /h)	-	-	54896 (5100)	54896 (5100)
Rendimiento teórico en superficie	ft ² /h (m ² /h)	29385 (2730)	29385 (2730)	33906 (3150)	33906 (3150)
Volumen del depósito de agua limpia	gal (l)	29 (110)	29 (110)	29 (110)	29 (110)
Volumen del depósito de agua sucia	gal (l)	29 (110)	29 (110)	29 (110)	29 (110)
Volumen del depósito de suciedad gruesa	gal (l)	0,4 (1,6)	-	0,5 (1,8)	-
Volumen del depósito de detergente (opción Dose)	gal (l)	1,3 (5)	1,3 (5)	1,3 (5)	1,3 (5)
Dosificación del detergente	%	0,25...3	0,25...3	0,25...3	0,25...3
Dosificación de agua	gpm (l/min)	0,04...1,5 (0,15...5,7)	0,04...1,5 (0,15...5,7)	0,04...1,5 (0,15...5,7)	0,04...1,5 (0,5...5,7)
Carga por unidad de superficie (con conductor y depósito de agua limpia lleno)					
Presión superficial	N/mm ²	0,62...0,66	0,62...0,66	0,62...0,66	0,62...0,66
Carga superficial (peso/superficies de aparcamiento)	kg/m ²	470...542	470...524	470...542	470...542
Dimensiones					
Longitud	ft (mm)	5,38 (1640)	5,38 (1640)	5,38 (1640)	5,38 (1640)
Anchura	ft (mm)	2,43 (740)	2,43 (740)	2,43 (740)	2,43 (740)
Ancho de la barra de aspiración	ft (mm)	3,12 (950)	3,12 (950)	3,12 (950)	3,12 (950)
Altura	ft (mm)	4,30 (1310)	4,30 (1310)	4,30 (1310)	4,30 (1310)
Ancho útil	ft (mm)	2,13 (650)	2,13 (650)	2,46 (750)	2,46 (750)
Ancho útil con conjunto de frotadores laterales	ft (mm)	-	-	2,79 (850)	2,79 (850)
Dimensiones del embalaje LxAnxAl	ft (mm)	5,74x3,25x4,84 (1750x990x1475)	5,74x3,25x4,84 (1750x990x1475)	5,74x3,25x4,84 (1750x990x1475)	5,74x3,25x4,84 (1750x990x1475)
Radio de viraje	ft (mm)	5,74 (1750)	5,74 (1750)	5,74 (1750)	5,74 (1750)
Dimensiones del compartimento de la batería LxAnxAl	ft (mm)	2x(1,03x1,27x1,23) (2x(315x386x375))	2x(1,03x1,27x1,23) (2x(315x386x375))	2x(1,03x1,27x1,23) (2x(315x386x375))	2x(1,03x1,27x1,23) (2x(315x386x375))
Neumáticos					
Rueda delantera, ancho	ft (mm)	0,30 (90)	0,30 (90)	0,30 (90)	0,30 (90)
Rueda delantera, diámetro	ft (mm)	0,82 (250)	0,82 (250)	0,82 (250)	0,82 (250)
Rueda trasera, ancho	ft (mm)	0,25 (75)	0,25 (75)	0,25 (75)	0,25 (75)
Rueda trasera, diámetro	ft (mm)	0,95 (290)	0,95 (290)	0,95 (290)	0,95 (290)
Peso					
Peso total admisible	lbs (kg)	1433 (650)	1433 (650)	1433 (650)	1433 (650)
Tara (peso para el transporte)	lbs (kg)	1058 (480)	1058 (480)	1058 (480)	1058 (480)
Peso de servicio típico	lbs (kg)	1190 (540)	1190 (540)	1190 (540)	1190 (540)
Fuerza de apriete de cepillos, máx.	N (kg)	736 (75)	736 (75)	736 (75)	736 (75)
Presión de aplicación de cepillos, máx.	N/m ² (g/cm ²)	581 (570)	51 (50)	510 (500)	41 (40)
Datos de potencia del equipo					
Tensión nominal	V	24	24	24	24
Capacidad de la batería	Ah (5 h)	170 / 285	170 / 285	170 / 285	170 / 285
Consumo medio de energía	hp (W)	3,15 (2350)	3,15 (2350)	3,15 (2350)	3,15 (2350)
Potencia nominal	hp (W)	3,35 (2500)	3,35 (2500)	3,35 (2500)	3,35 (2500)
Potencia del motor	hp (W)	0,80 (600)	0,80 (600)	0,80 (600)	0,80 (600)
Potencia de la turbina de aspiración	hp (W)	0,80 (600)	0,80 (600)	0,80 (600)	0,80 (600)
Potencia del accionamiento de cepillos	hp (W)	2 x 0,80 (2 x 600)	2 x 0,80 (2 x 600)	2 x 0,80 (2 x 600)	2 x 0,80 (2 x 600)
Tipo de protección		IPX3	IPX3	IPX3	IPX3
Aspirar					

		B 110 R 65	B 110 D 65	B 110 R 75	B 110 D 75
Potencia de aspiración, volumen de aire	CFM (l/s)	~53 (~25)	~53 (~25)	~53 (~25)	~53 (~25)
Baja presión (máx.)	psi (bar)	~2,47 (~0,17)	~2,47 (~0,17)	~2,47 (~0,17)	~2,47 (~0,17)
Presión negativa (en servicio)	psi (bar)	~0,73 (~0,05)	~0,73 (~0,05)	~0,73 (~0,05)	~0,73 (~0,05)
Cepillos de limpieza					
Diámetro de cepillos	ft (mm)	0,33 (100)	1,16 (355)	0,33 (100)	1,26 (385)
Longitud del cepillo	ft (mm)	1,98 (605)	-	2,31 (705)	-
Velocidad de rotación de cepillos	1/min	1200	180	1200	180
Diámetro del cepillo del conjunto de frotadores laterales	ft (mm)	-	-	0,72 (220)	0,72 (220)
Velocidad de rotación de cepillos del conjunto de frotadores laterales	1/min	-	-	220	220
Cargador rápido interno (sólo versión de iones de litio)					
Tensión nominal	V	100...240	100...240	100...240	100...240
Frecuencia	Hz	50-60	50-60	50-60	50-60
Consumo de energía	hp (W)	1,75 (1100)	1,75 (1100)	1,48 (1100)	1,75(1100)
Corriente de carga	A	35	35	35	35
Cargador interno					
Longitud del cable	ft (m)	6,5 (2)	6,5 (2)	6,5 (2)	6,5 (2)
Tensión nominal	V	100...240	100...240	100...240	100...240
Frecuencia	Hz	50-60	50-60	50-60	50-60
Consumo de energía	hp (W)	1 (750)	1 (750)	1 (750)	1 (750)
Corriente de carga	A	28	28	28	28
Rendimiento	%	92	92	92	92
Condiciones ambientales					
Rango de temperaturas admisibles	°F (°C)	41...104 (5...40)	41...104 (5...40)	41...104 (5...40)	41...104 (5...40)
Temperatura del agua máx.	°F (°C)	122 (50)	122 (50)	122 (50)	122 (50)
Presión del agua del sistema de llenado (opcional)	psi (bar)	145 (10)	145 (10)	145 (10)	145 (10)
Presión del agua del sistema de lavado del depósito de agua sucia (opcional)	psi (bar)	145 (10)	145 (10)	145 (10)	145 (10)
Humedad del aire relativa	%	20...90	20...90	20...90	20...90
Pendiente					
Pendiente máx. de la zona de trabajo	%	10	10	10	10
Pendiente distancia corta (máx. 10 m) transporte, carga	%	22	22	22	22
Valores calculados conforme a EN 60335-2-72					
Nivel de vibraciones mano-brazo	m/s ²	<2,5	<2,5	<2,5	<2,5
Nivel de vibraciones del asiento	m/s ²	<0,5	<0,5	<0,5	<0,5
Inseguridad K	dB(A)	0,2	0,2	0,2	0,2
Nivel de presión acústica L _{pA} servicio Eco	dB(A)	59,2	59,2	59,2	59,2
Nivel de presión acústica L _{pA} servicio normal	dB(A)	63,6	63,6	63,6	63,6
Inseguridad K _{pA}	dB(A)	1,6	1,6	1,6	1,6
Intensidad acústica L _{WA} + inseguridad K _{WA} servicio Eco	dB(A)	74,1	74,1	74,1	74,1
Intensidad acústica L _{WA} + inseguridad K _{WA} servicio normal	dB(A)	78,7	78,7	78,7	78,7
Conjunto de frotadores laterales					
Potencia	hp (W)	-	-	0,19 (140)	0,19 (140)
Fuerza de apriete de cepillos, máx.	N (kg)	-	-	88 (9)	88 (9)
Presión de aplicación de cepillos, máx.	N/m ² (g/cm ²)	-	-	30,6 (30)	30,6 (30)

Reservado el derecho de realizar modificaciones técnicas.

Accesorios y repuestos

Utilice únicamente accesorios y repuestos originales, estos garantizan un servicio seguro y fiable del equipo. Encontrará información sobre los accesorios y repuestos en www.kaercher.com.

Accesorios cabezal de limpieza con cilindro de cepillos

A: unidad de embalaje, B: número requerido por el equipo

Denominación	R 65 N.º de referencia	R 75 N.º de referencia	Descripción	A	B
Cilindro de cepillos, rojo (medio, estándar)	4.035-604.0	4.035-605.0	Para la limpieza de mantenimiento de suelos muy sucios.	1	2
Cilindro de cepillos, blanco (suave)	6.907-770.0	6.907-771.0	Para el pulido y la limpieza de mantenimiento de suelos delicados.	1	2
Cilindro de cepillos, naranja (alto/bajo)	6.907-726.0	6.907-730.0	Para frotar suelos estructurales (baldosas de seguridad, etc.).	1	2
Cilindro de cepillos, verde (duro)	6.907-727.0	6.907-731.0	Para la limpieza básica de suelos muy sucios y para el decapado (por ejemplo, ceras, acrilatos).	1	2
Cilindro de cepillos, negro (muy duro)	6.907-728.0	6.907-732.0		1	2
Rodillo de microfibra	4.114-054.0	4.114-007.0	Para la limpieza de mantenimiento de suelos lisos.	1	2
Eje de accionamiento del rodillo cilíndrico de esponja	4.762-626.0	4.762-627.0	Para el alojamiento de cepillos cilíndricos de esponja.	1	2
Cepillos cilíndrico de esponja, amarillo (suave)	6.369-454.0	6.369-454.0	Para el pulido de suelos	20	96, 106
Cepillo cilíndrico de esponja, rojo (medio)	6.369-456.0	6.369-456.0	Para la limpieza de suelos ligeramente sucios.	20	96, 106
Cepillo cilíndrico de esponja, verde (duro)	6.369-455.0	6.369-455.0	Para la limpieza de suelos normales a muy sucios.	20	96, 106

Accesorios cabezal de limpieza con cepillos circulares

A: unidad de embalaje, B: número requerido por el equipo

Denominación	D 65 N.º de referencia	D 75 N.º de referencia	Descripción	A	B
Cepillo circular, natural (suave)	4.905-012.0	4.905-020.0	Para el pulido de suelos.	1	2
Cepillo circular, blanco	4.905-011.0	4.905-019.0	Para el pulido y la limpieza de mantenimiento de suelos delicados.	1	2
Cepillo circular, rojo (medio, estándar)	4.905-010.0	4.905-018.0	Para la limpieza de suelos poco sucios o delicados.	1	2
Cepillo circular, negro (duro)	4.905-013.0	4.905-021.0	Para la limpieza de suelos muy sucios.	1	2
Cepillo de esponja fino en forma de diamante, verde	6.371-235.0	6.371-236.0	Para limpiar los recubrimientos que contienen cal y los suelos recubiertos de resina epoxi.	5	2
Cepillo de esponja grueso en forma de diamante, blanco	6.371-250.0	6.371-252.0		5	2
Cepillo de esponja medio en forma de diamante, amarillo	6.371-251.0	6.371-253.0		5	2
Plato impulsor de cepillo de esponja	4.762-446.0	4.762-447.0	Para el alojamiento de las esponjas.	1	2

Accesorios de barra de aspiración

A: unidad de embalaje, B: número requerido por el equipo

Denominación	N.º de referencia	Descripción	A	B
Juego de labios de aspiración, parte delantera de PU (rojo), parte trasera de Linatex	4.039-366.0	Estándar	Par	1 par
Juego de labios de aspiración, Linatex	4.039-356.0	a prueba de desgarros	Par	1 par
Juego de labios de aspiración, PU	4.039-357.0	resistente al aceite	Par	1 par

Garantía

En cada país se aplican las condiciones de garantía indicadas por nuestra compañía distribuidora autorizada. Subsanamos cualquier fallo en su equipo de forma gratuita dentro del plazo de garantía siempre que la causa se deba a un fallo de fabricación o material. En caso de garantía, póngase en contacto con su distribuidor o con el servicio de posventa autorizado más próximo presentando la factura de compra.
(Dirección en el reverso)

Encontrará más información sobre la garantía (si está disponible) en el área de servicio de su página web local de Kärcher en "Downloads".



THANK YOU!

MERCI! ¡GRACIAS!



Register your product and benefit from many advantages.

Enregistrer votre produit et bénéficier de nombreux avantages.

Registre su producto y aproveche de muchas ventajas.

www.kaercher.com/welcome



Rate your product and tell us your opinion.

Évaluer votre produit et donner votre opinion.

Reseñe su producto y díganos su opinión.



Kärcher North America Inc.,
6398 N. Kärcher Way
Aurora, CO 80019
Tel: 1-800-537-4129

Kärcher Canada Inc.,
275 Pendant Drive, Mississauga,
Ontario L5T 2SW9
Tel: +1-800-465-4980

Kärcher México S.A. de C.V.,
Circuito Poetas 68.
Col Ciudad Satélite, Naucalpan de Juárez,
Estado de México C.P. 53100, México
Tel: +52-55-2629-4900

www.kaercher.com/service

