

# KÄRCHER



[www.kaercher.com/dealerearch](http://www.kaercher.com/dealerearch)

**S4**



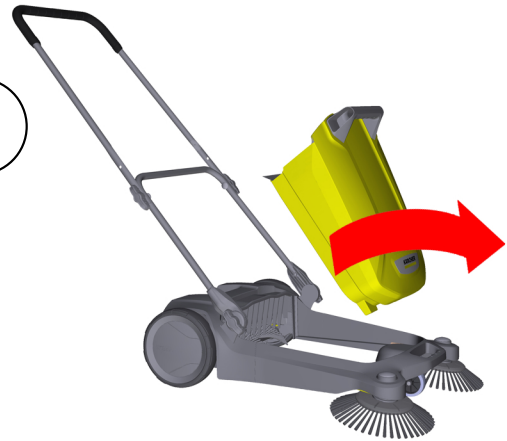
**1x R**

**S4 Twin**

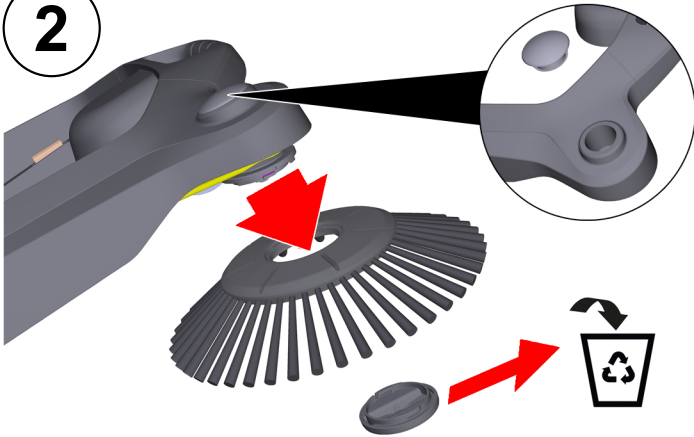


**2x R+L**

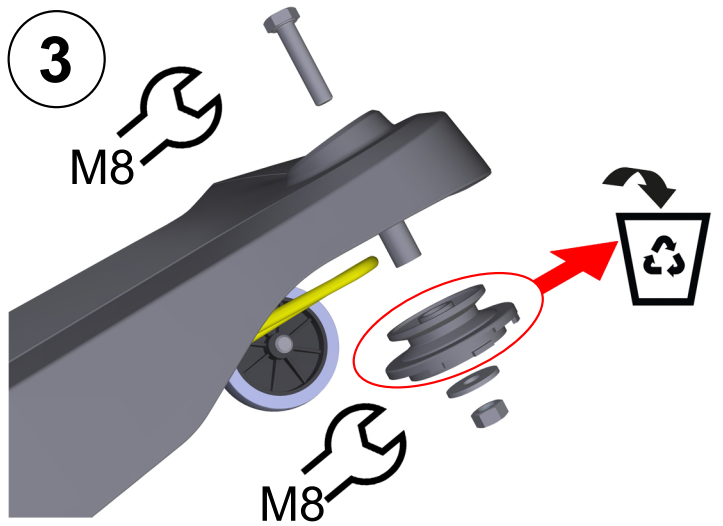
**1**



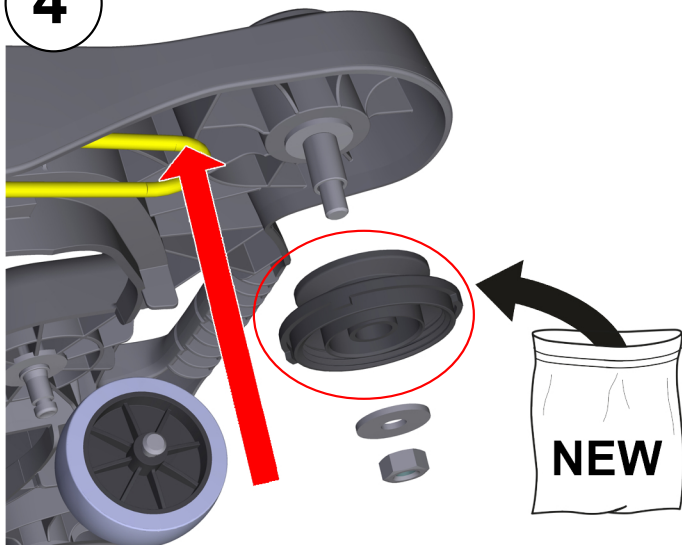
**2**



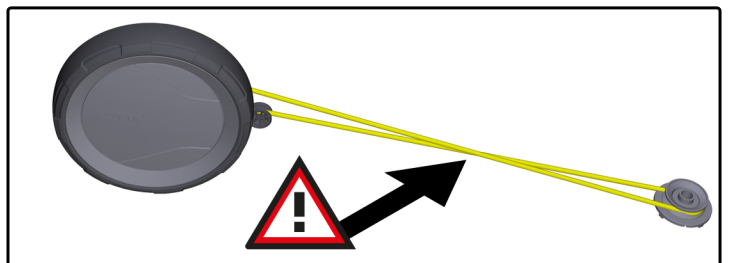
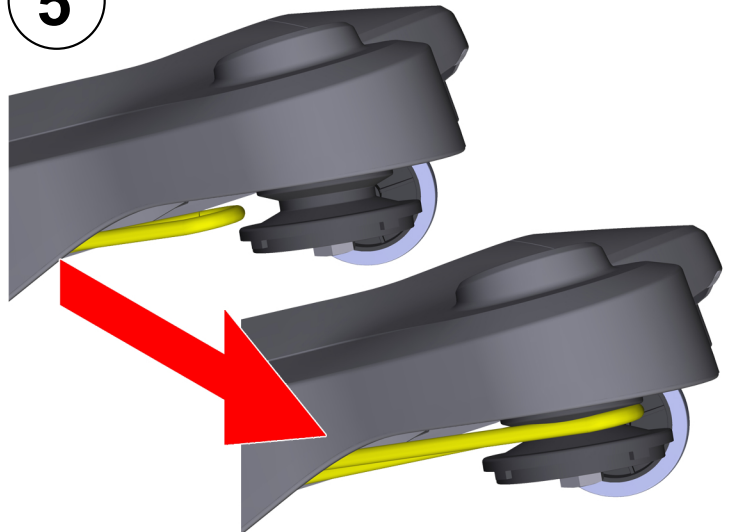
**3**



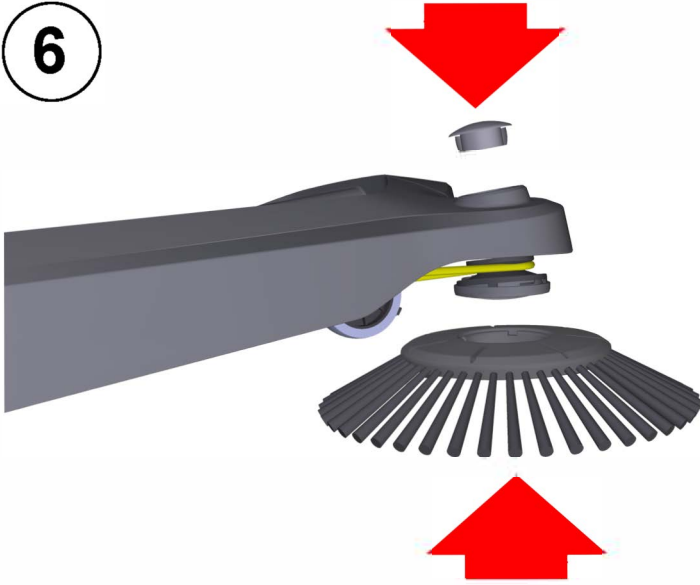
**4**



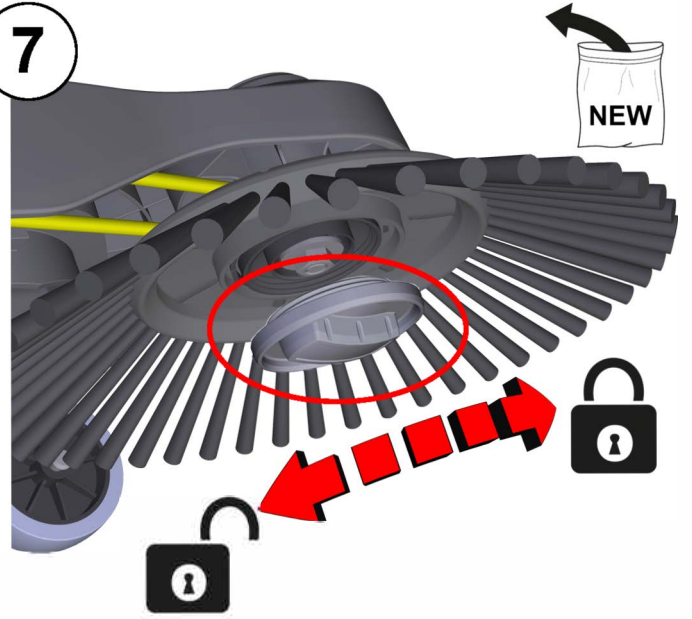
**5**



6



7



8

