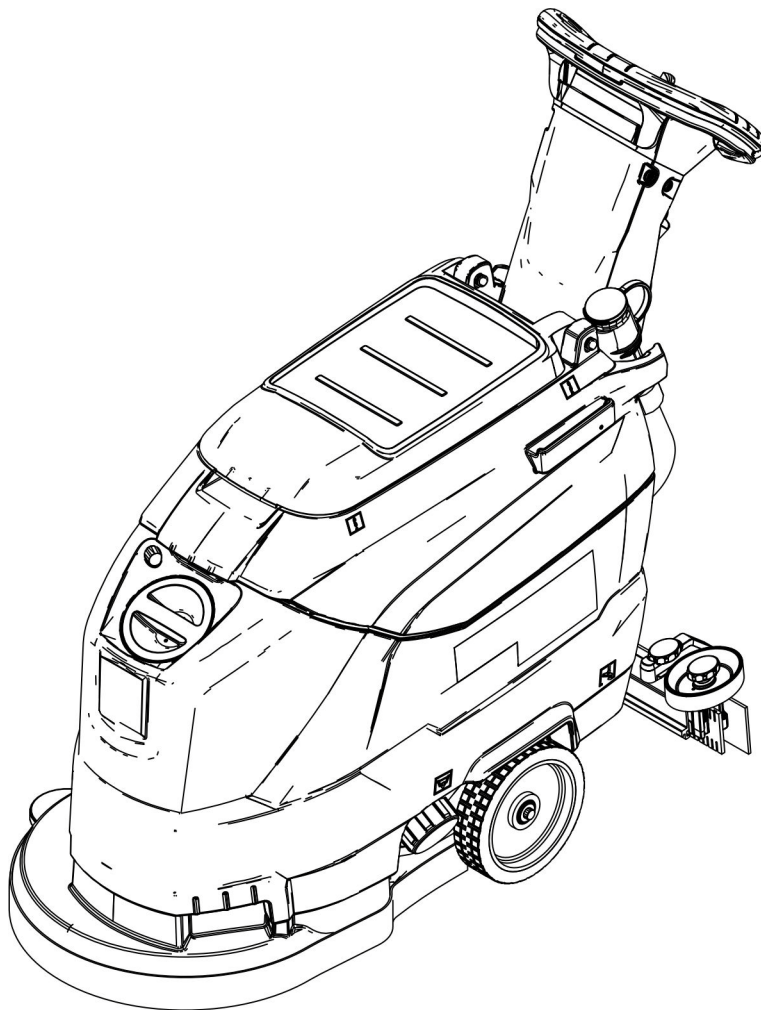


KÄRCHER

makes a difference

BD 43/25 C Bp

English	3
Français	13
Español	24



Register and win!
www.kaercher.com/register-and-win



59657060 11/18

IMPORTANT SAFETY INSTRUCTIONS

READ ALL INSTRUCTIONS BEFORE USING THIS APPLIANCE

⚠ WARNING

To reduce the risk of fire, electric shock, or injury:

- DO NOT LEAVE appliance unattended when plugged in. Unplug from outlet when not in use and before servicing.

⚠ WARNING

- TO REDUCE THE RISK OF ELECTRIC SHOCK-USE INDOORS ONLY
- Do not allow to be used as a toy. Close attention is necessary when used by or near children.
- Use only as described in this manual. Use only manufacturer's recommended attachments.
- Do not use with damaged cord or plug. If the unit is not working as it should, has been dropped, damaged, left outdoors, or dropped into water, return it to a service center.
- Do not pull or carry by the cord, do not use cord as a handle, do not close a door on the cord, or pull cord around sharp edges or corners. Do not run appliance over cord. Keep cord away from heated surfaces.
- Do not unplug by pulling on cord. To unplug, grasp the plug, not the cord.
- Do not handle plug or appliance with wet hands.
- Do not put any object into openings. Do not use with any openings blocked; keep free of dust, lint, hair and anything that may reduce air flow.
- Keep hair, loose clothing, fingers and all parts of body away from openings and moving parts.
- Turn off all controls before unplugging.
- Use extra care when cleaning on stairs.
- Do not use to pick up flammable or combustible liquids, such as gasoline, or use in areas where they may be present.
- Connect to a properly grounded outlet only. See Grounding Instructions.
- Always disconnect cord from electrical outlet before servicing appliance.
- Never sweep off explosive liquids, combustible gases or undiluted ac-

ids and solvents. This includes petrol, paint thinner or heating oil which can generate explosive fumes or mixtures upon contact with the air. Acetone, undiluted acids and solvents must also be avoided as they can harm the materials on the machine.

- Do not vacuum up burning or smouldering objects!

GROUNDING INSTRUCTIONS

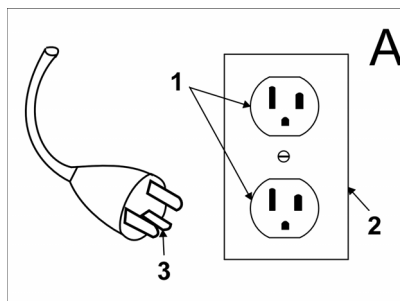
This product must be grounded. If it should malfunction or breakdown, grounding provides a path of least resistance for electric current to reduce the risk of electric shock. This product is equipped with a cord having an equipment-grounding conductor and a grounding plug. The plug must be plugged into an appropriate outlet that is properly installed and grounded in accordance with all local codes and ordinances.

⚠ DANGER

Improper connection of the equipment-grounding conductor can result in a risk of electrocution. Check with a qualified electrician or service personnel if you are in doubt as to whether the outlet is properly grounded. Do not modify the plug provided with the product - if it will not fit the outlet, have a proper outlet installed by a qualified electrician. Do not use any type of adapter with this product.

This appliance is for use on a nominal 120-volt circuit and has a grounding attachment plug that looks like the plug illustrated in sketchpicture A. Make sure that the appliance is connected to an outlet having the same configuration as the plug. No adaptor should be used with this appliance.

CONNECT TO A PROPERLY GROUNDED OUTLET ONLY



- 1 Grounded outlet
- 2 Grounded outlet box
- 3 Grounded pin

OPERATING SAFETY RULES AND PRACTICES

Owner/User Responsibility

The owner and/or user must have an understanding of the manufacturer's operating instructions and warnings before using this pressure washer. Warning information should be emphasized and understood.

If the operator is not fluent in English, the manufacturer's instructions and warnings shall be read to and discussed with the operator in the operator's native language by the purchaser/owner, making sure that the operator comprehends its contents.

Owner and/or user must study and maintain for future reference the manufacturers' instructions.

General

Before starting to operate the unit be in operating position.

Do not start or operate the unit, any of its functions or attachments, from any place other than from the designated operators position.

Before leaving the operator's position:

- A bring the unit to a complete stop;
- B if the unit must be on an incline, block the wheels.

Maintain a safe distance from the edge of ramps, platforms, and other similar working surfaces.

Do not add to, or modify the unit.

Do not block access to fire aisles, stairways or fire equipment.

Travelling

Yield the right of way to pedestrians and emergency vehicles such as ambulances and fire trucks.

Cross railroad tracks at an angle wherever possible. Do not park closer than 6 ft (1800 mm) to the nearest rail of a railroad track.

Keep a clear view of the path of travel and observe for other traffic, personnel, and safe clearances.

Under all travel conditions, operate the unit at a speed that will permit it to be brought to a stop in a safe manner.

Do not indulge in stunt driving or horseplay.

Slow down for wet and slippery floors.

Before driving over a dockboard or bridge plate, be sure that it is properly secured. Drive carefully and slowly across the dockboard or bridge plate, and never exceed its rated capacity.

When negotiating turns, reduce speed to a safe level consistent with the operating environment. Make the turns smoothly.

Operator care of the unit

If the unit is found to be in need of repair or in any way unsafe, or contributes to an unsafe condition, the matter shall be reported immediately to the user's designated authority, and the unit shall not be operated until it has been restored to safe operating condition.

If during operation the unit becomes unsafe in any way, the matter shall be reported immediately to the user's designated authority, and the unit shall not be operated until it has been restored to safe operating condition.

Do not make repairs or adjustments unless specifically authorized to do so.

MAINTENANCE AND REBUILD PRACTICES

Operation of the unit may be hazardous if maintenance is neglected or repairs, rebuilds, or adjustments are not performed in accordance with the manufacturer's design criteria. Therefore, maintenance facilities (on or off premises), trained personnel, and detailed procedures shall be provided.

Maintenance and inspection of the unit shall be performed in conformance with the following practices:

- A a schedules planned maintenance, lubrication, and inspection system shall be followed; consult the manufacturer's recommendations.
- B Only trained and authorized persons shall be permitted to operate a powered floor scrubber. Operators of powered floor scrubbers shall be qualified as to visual, auditory, physical, and mental ability to operate the equipment safely.

Avoid fire hazards and have fire protection equipment present in the work area. Do not use open pans of fuel or flammable cleaning fluids for cleaning parts.

FIRE SAFETY STANDARD

Any unit not in safe operating condition shall be removed from service.

Repairs shall not be made in Class I, Class II, and Class III locations.

Fire Prevention. The unit shall be kept in a clean condition and reasonably free of lint, excess oil, and grease.

Noncombustible agents are preferred for cleaning the unit. Flammable liquids [those having flash points at or above 100°F (37,8°C)] are not allowed. Precautions regarding toxicity, ventilation, and fire hazard shall be appropriate for the agent or solvent used.

Nameplate Visibility. The unit type designations as shown on the nameplate and the type markers shall not be covered over with paint so that their identification information is obscured.



Please read and comply with these original instructions prior to the initial operation of your appliance and store them for later use or subsequent owners.

Contents

Safety instructions	EN	2
Function	EN	2
Proper use	EN	3
Environmental protection . . .	EN	3
Warranty	EN	3
Operating and Functional Elements	EN	4
Before Startup	EN	5
Operation	EN	6
Shutting Down the Appliance	EN	6
Transport	EN	7
Storage	EN	7
Care and maintenance	EN	7
Frost protection	EN	9
Faults	EN	9
Accessories	EN	10
Technical specifications . . .	EN	10
Accessories and Spare Parts	EN	10

Safety instructions

Before using the appliance for the first time, read and observe these operating instructions and the accompanying brochure: Safety information for brush cleaning units and spray-extraction units, No. 5.956-251.0.

The device may only be operated when the cover and all lids are closed.

The appliance must only be operated on surfaces that do not exceed the max. permitted incline (see "Technical Specifications").

⚠ WARNING

Do not use the appliance on inclines.

Safety Devices

Safety devices serve to protect the user and must not be rendered in operational or their functions bypassed.

Safety Switch

If the safety switch is released, the brush drive shuts off.

Danger or hazard levels

⚠ DANGER

For an immediate danger which can lead to severe injuries or death.

⚠ WARNING

For a possibly dangerous situation which could lead to severe injuries or death.

⚠ CAUTION

Pointer to a possibly dangerous situation, which can lead to minor injuries.

ATTENTION

Pointer to a possibly dangerous situation, which can lead to property damage.

Function

The scrubbing vacuum cleaner is used for the wet cleaning of level floors.

– The device can be easily adjusted to the respective cleaning task by adjusting the water volume and the detergent volume.

The detergent dosing unit can be adjusted via the addition in the tank.

– The device is equipped with a fresh water and a waste water tank (25 litres each). These allow an effective cleaning with a long usage life.

– A working distance of 430 mm will improve the efficiency when you are using the appliance for a long period.

– Propulsion is accomplished by manually pushing the appliance and is supported by the rotation of the brushes. The brush drive is powered by two batteries.

– Batteries can be selected depending on the configuration (refer to Chapter "recommended batteries")

Note:

The appliance can be equipped with various accessories depending on the cleaning task.

Please request our catalogue or visit us on the Internet at www.kaercher.com.

Proper use

Use this appliance only as directed in these operating instructions.

- The appliance may only be used for the cleaning of hard surfaces that are not sensitive to moisture and polishing operations.
- The appliance is not suited for the cleaning of frozen grounds (e.g. in cold stores).
- The appliance may only be equipped with original accessories and spare parts.
- The appliance is not suited for the use in potentially explosive environments.
- The machine should not be used to suck in inflammable gases, undiluted acids or solvents.
This includes petrol, thinning agents or hot oil that can form an explosive mixture when it comes in contact with sucked air. Do not use acetone, undiluted acids and solvents as they are aggressive towards the materials from which the appliance is made.
- The machine has been approved for use on surfaces with max. gradients as listed under "Technical Specifications".
- This appliance is suited for the commercial use, e.g. in hotels, schools, hospitals, factories, shops, offices, and rental companies.
- The appliance was designed for the cleaning of floors inside or of covered surfaces.

Environmental protection



The packaging material can be recycled. Please do not throw the packaging material into household waste; please send it for recycling.



Old appliances contain valuable recyclable materials that should be recycled properly. Batteries, oil, and similar substances must not be released into the environment. Please dispose of your old appliances using appropriate collection systems.

Warranty

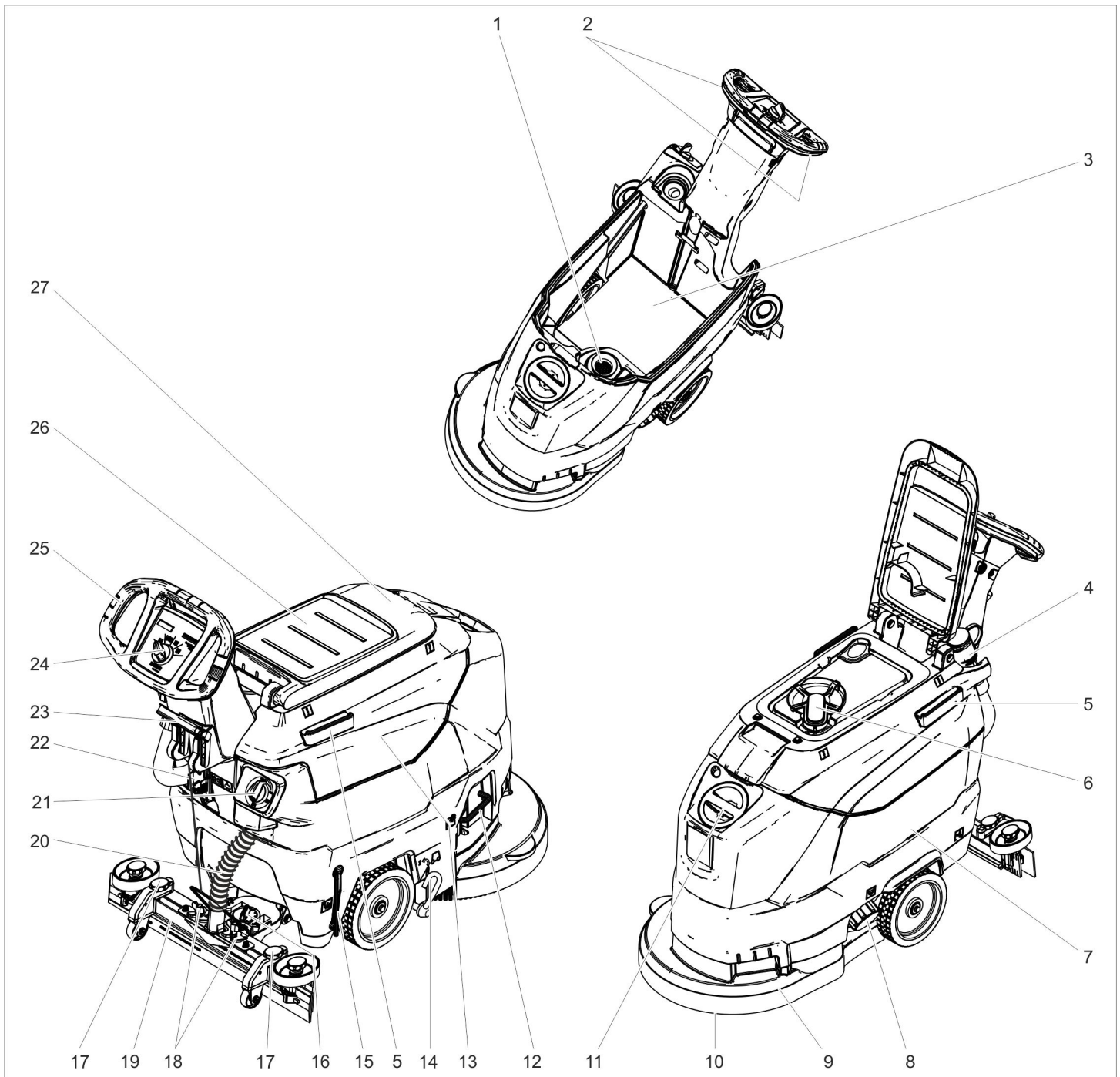
The warranty terms published by our competent sales company are applicable in each country. We will repair potential failures of your accessory within the warranty period free of charge, provided that such failure is caused by faulty material or defects in fabrication. In the event of a warranty claim please contact your dealer or the nearest authorized Customer Service center. Please submit the proof of purchase.

Information on ingredients (REACH)

The latest information on ingredients can be found under:

www.kaercher.de/REACH

Operating and Functional Elements



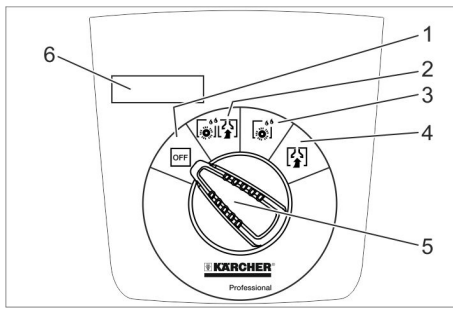
- | | |
|----------------------------------------------|-----------------------------------------------------|
| 1 Fluff filter | 17 Height adjustment of suction bar * |
| 2 Safety button | 18 Wing nuts for fastening the vacuum bar |
| 3 Battery * | 19 Vacuum bar * |
| 4 Drain hose for wastewater with dosing unit | 20 Suction hose |
| 5 Holding rail for home base | 21 Water quantity regulator |
| 6 Float | 22 Battery socket |
| 7 Fresh water tank | 23 Vacuum bar lowering lever |
| 8 Fresh water tank lock | 24 Operator console |
| 9 Cleaning head | 25 Push handle |
| 10 Disc brush | 26 Storage surface for cleaning set "Home base box" |
| 11 Fresh water reservoir filler neck | 27 Cover waste water tank |
| 12 Bow brush change | |
| 13 Waste water tank | |
| 14 Pedal transport chassis | |
| 15 Fresh water level display | |
| 16 Rotary handle to incline the vacuum bar | |

* not included in the delivery

Colour coding

- The operating elements for the cleaning process are yellow.
- The controls for the maintenance and service are light gray.

Operator console



- 1 **OFF**
Device is switched off
- 2 **Normal mode**
Wet clean the floor and vacuum up dirt water.
- 3 **Intense mode**
Wet clean the floor and allow the detergent to react.
- 4 **Vacuum mode**
Suck in the dirt fleet.
- 5 Program selection switch
- 6 Display

Symbols on the machine

	Battery socket
	Lashing point
	Mop holder **
	Filling level fresh water tank 25%
	Bow brush change
	Vacuum bar lowering lever
	Drain outlet fresh water tank
	Dirt water discharge hose
	Transport chassis 1: Transport 0: Operation

** option

Before Startup

Unloading

- ➔ Unscrew the screws from the middle board of the pallet.
- ➔ Push down the device holding the push handle and pull out the middle board.
- ➔ Remove the chocks in front of and next to the wheels.
- ➔ Push down the device holding the push handle and push it forwards up to the edge of the pallet.
- ➔ Lift the device off the pallet and set it on the floor.

Install batteries

Install the batteries (see "Care and Maintenance/Install and connect batteries").

Using batteries made by other manufacturers

We recommend using our batteries as described in chapter "Care and Maintenance/Recommended batteries".

Charging battery

Note:

The device is equipped with a safety mechanism to prevent total discharge, i.e. when the permissible minimum capacity is reached, the brush motor and the turbine are switched off.

- ➔ Drive the machine directly to the charging station; avoid any steep gradients in the process.

⚠ DANGER

Danger of injury due to electric shock. Observe the mains voltage and fuse protection on the type plate of the device.

Charging process

Average charging time is approx. 10 - 15 hours.

The appliance must not be used during the charging process.

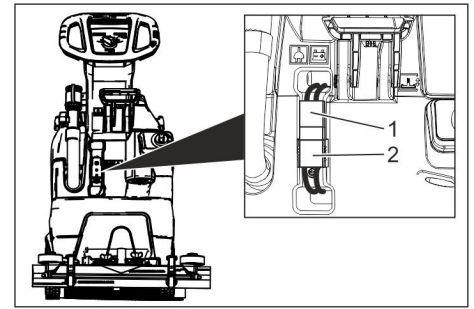
⚠ DANGER

Danger of explosion
Prior to charging low-maintenance batteries

Remove waste water tank (see Chapter "Maintenance and care/Maintenance tasks/Removing the waste water tank"). This prevents the accumulation of hazardous gases underneath the tank during the charging process.

ATTENTION

Risk of damage. Do not clean the device with water while the tank is removed.



- 1 Battery plug, appliance side
- 2 Battery plug, battery side

- ➔ Detach the battery plug on the unit side.

ATTENTION

Risk of damage!

- Do **not** connect the charger with the battery plug on the unit side.
- Only use a charger that is suitable for the installed battery type:

Battery type	Battery set 24 V	Charger
6.654-093.0	4.035-447.0	6.654-329.0
6.654-290.0	4.035-990.0	6.654-332.0

Note: Please read the operating instructions of the charger manufacturer, especially the chapters on safety instructions!

- ➔ Connect the battery plug on the battery side with the charger.
- ➔ Plug the mains plug of the charger into a power outlet.
- ➔ Execute the charging process according to the information in the operating instructions of the charger.
- ➔ Connect the battery plug on the device side with the battery plug on the battery side.

Low maintenance batteries (wet batteries)

⚠ WARNING

Danger of causticization!

- Adding water to the battery in its discharged state can cause the acid to leak.
- Use safety glasses while handling battery acid and follow the safety instructions to avoid personal injury or damage to clothes.
- Should the acid spray on to the skin or clothes, rinse immediately with lots of water.

ATTENTION

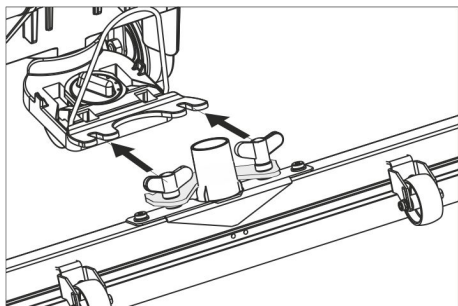
Risk of damage!

- Use only distilled or desalinated water (EN 50272-T3) for filling the battery.

- Do not add any substances (so-called performance improving agents), else warranty claims will not be entertained.
- Replace batteries with the same battery type only.

Installing the Vacuum Bar

- ➔ Insert the vacuum bar into the vacuum bar suspension in such a manner that the profiled sheet is positioned above the suspension.
- ➔ Tighten the wing nuts.



- ➔ Insert the suction hose.

Operation

⚠ DANGER

Risk of injury!

In dangerous situations, release the safety switch/drive lever.

Filling in detergents

Fresh water

- ➔ Open the lock of the fresh water reservoir.
- ➔ Fill fresh water (maximum 60 °C) until the lower edge of the filling nozzle.
- ➔ Close the lock of the fresh water reservoir.

Detergent

⚠ WARNING

Risk of damage. Only use the recommended detergents. With other detergents, the operator bears the increased risk regarding the operational safety and danger of accident.

Only use detergents that are free from solvents, hydrochloric acid and hydrofluoric acid.

Follow the safety instructions for using detergents.

Note:

Do not use highly foaming detergents.

Recommended detergents:

Application	Detergent
Routine cleaning of all water resistant floors	RM 746 RM 780
Routine cleaning of glossy surfaces (e.g. granite)	RM 755 es
Routine cleaning and basic cleaning of industrial floors	RM 69 ASF

Routine cleaning and basic cleaning of fine stone-ware tiles	RM 753
Routine cleaning of tiles in sanitary areas	RM 751
Cleaning and disinfection in sanitary areas	RM 732
Removal of coating from all alkali-resistant floors (e.g. PVC)	RM 752
Removal of coating from linoleum floors	RM 754

- ➔ Add the detergent to the fresh water reservoir.

Note:

If the fresh water tank is empty, the cleaning head continues working without liquid supply.

Setting the water quantity

- ➔ Adjust the water quantity using the regulating button according to the dirt on the floor covering.

Note:

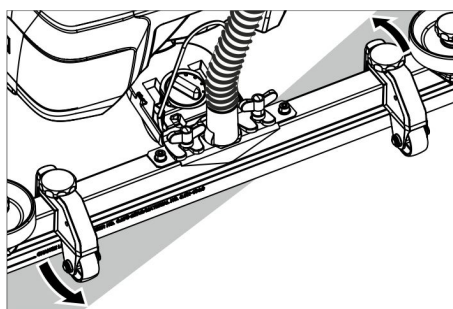
Carry out initial cleaning attempts with low water volume. Increase water volume step-by-step until the desired cleaning result is achieved.

Setting the Vacuum Bar

Oblique position

To improve the vacuuming result on tiled floors the vacuum bar can be turned to an oblique position of up to 5°.

- ➔ Loosen the wing nuts.
- ➔ Turn the vacuum bar.



- ➔ Tighten the wing screws.

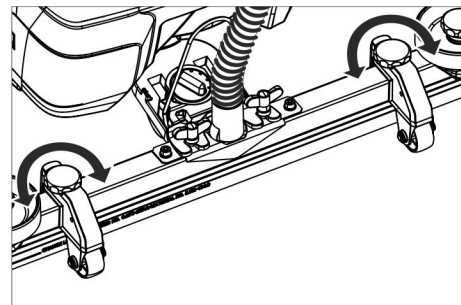
Inclination

If the vacuum result is unsatisfactory the inclination of the straight vacuum bar can be modified.

- ➔ Adjust the rotary handle to incline the suction bar.

Height

The bend of the suction lips upon contact with the floor is influenced with the height adjustment.



- ➔ Try adjusting the twist handles of the height adjustment until the best vacuuming result is achieved.

Cleaning

ATTENTION

Risk of damage to the floor covering. Do not operate the appliance on the spot.

- ➔ Swivel the pedal for the transport chassis down.
- ➔ Turn the program selection switch to the desired cleaning program.

Lower the vacuum bar

- ➔ Pull the lever out and press it down; the vacuum bar is lowered.

Note:

- For cleaning tiled floors, adjust the straight suction bar in such a way that cleaning is not done at an angle of 90 degrees to the joints.
- The inclined position and the inclination of the suction bar can be adjusted to achieve better suction results (see "Adjusting the suction bar").
- If the waste water tank is full, the float closes the suction opening and the suction turbine runs at an increased speed. If this is the case, shut the vacuum off and drive to empty the waste water tank.

Shutting Down the Appliance

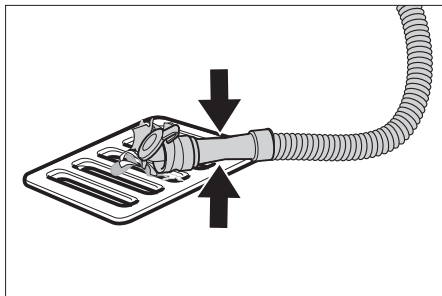
- ➔ Release the safety switch.
- ➔ Set the program selection switch to suction or vacuuming.
- ➔ Briefly drive forward and suck of the remaining water.
- ➔ Raise the vacuum bar.
- ➔ Charge battery, if required.

Drain off dirt water

⚠ **WARNING**

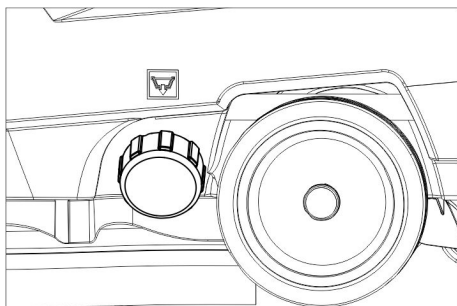
Please observe the local provisions regarding the wastewater treatment.

- Take the water discharge hose from the support and lower above a suited collection device.



- Crush or bend the dosing equipment.
- Open the lid of the dosing equipment.
- Drain off the dirt water - regulate the water quantity by pressing or bending.
- Rinse the waste water tank with clear water.

Drain off clean water



- Unscrew the lock of the fresh water reservoir.

Transport

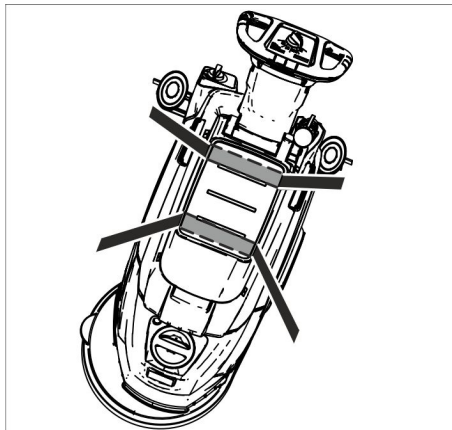
⚠ **DANGER**

Risk of injury! When loading or unloading the machine, it may only be operated on gradients up to the maximum value (see "Technical Specifications"). Drive slowly.

⚠ **CAUTION**

Risk of personal injury or damage! Mind the weight of the appliance during transport.

- Lift the pedal for the transport chassis.
- Use the pushing handle to push the appliance.



- When transporting in vehicles, secure the appliance according to the guidelines from slipping and tipping over.

Storage

⚠ **CAUTION**

Risk of personal injury or damage! Consider the weight of the appliance when storing it.

This appliance must only be stored in interior rooms.

Care and maintenance

⚠ **DANGER**

Risk of injury! Set the programme selector switch to "OFF" and pull the mains plug of the charger prior to performing any work on the appliance. Remove the battery plug from machine.

- Drain and dispose of the dirt water and the residual fresh water.

Maintenance schedule

After each operation

ATTENTION

Risk of damage. Do not sluice the appliance with water and do not use aggressive detergents.

- Drain off dirt water.
- Rinse the waste water tank with clear water.
- Clean the outside of the appliance with a damp cloth which has been soaked in mild detergent.
- Check the fluff filter, clean if required.
- Clean the vacuum lips and the wiping lips, check for wear and replace if required.
- Check the brush for wear and replace if required (see "Maintenance tasks").

- Charge the battery:

If the charging state of the battery is under 50%, charge the battery fully and without interruption.

If the charging state of the battery is over 50%, only recharge the battery if the entire operation duration will be required when next used.

Weekly

- When used regularly, charge the battery fully and without interruption at least once a week.

Monthly

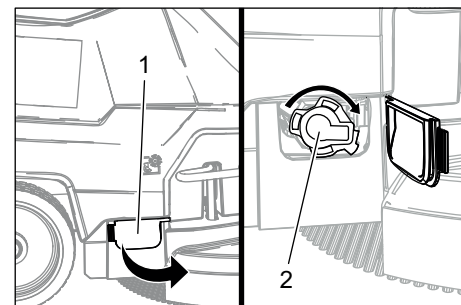
- Check battery poles for oxidation, brush off if necessary. Ensure that the connection cable sits firmly.
- Clean the seals between waste water tank and cover and check for tightness, replace if required.
- Clean sieve.
- Check the acid density of the cells if the batteries are not maintenance-free batteries.
- For long periods of disuse, only turn the device off when the battery is fully charged. Fully recharge the battery at least every month.

Yearly

- Have the prescribed inspection carried out by the customer service.

Maintenance Works

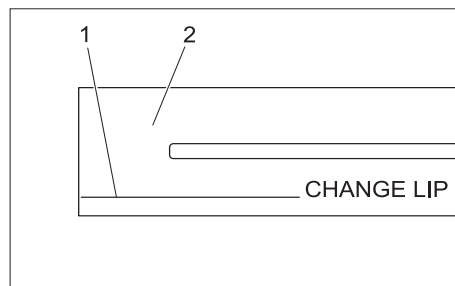
Cleaning the sieve



- 1 Cover
- 2 Cover

- Open the cover.
- Turn cover the clockwise and remove it.
- Remove and clean the sieve lying beneath it.
- Insert the sieve.
- Replace the cover and lock it by turning it anti-clockwise.
- Close cover.

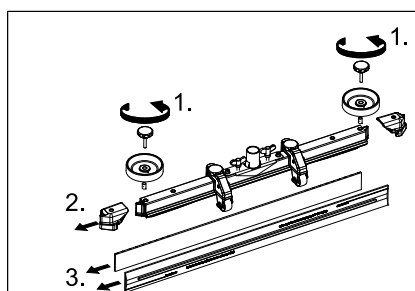
Replace or turn vacuum lips



- 1 Wear indicator
- 2 Vacuum lip

The vacuum lips must be replaced or reversed if they are worn down to the wear indicator.

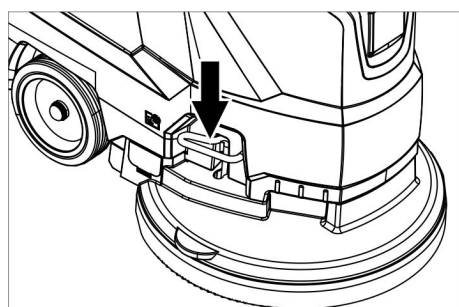
- Remove the vacuum bar.
- Unscrew the star grips.



- Remove the plastic parts.
- Remove the vacuum lips.
- Insert new or reversed vacuum lips.
- Insert the plastic parts.
- Screw in and tighten the star grips.

Replacing the disk brushes

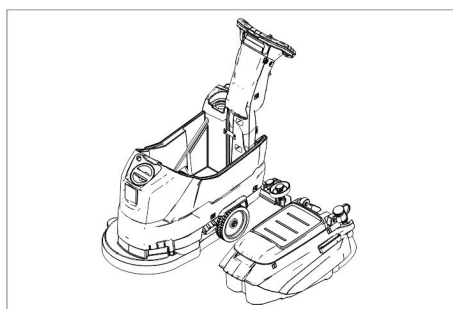
- Push down the device holding the push handle so that the cleaning head is raised.
- Press the pedal for changing the brushes downward beyond its resistance.



- Pull the device towards the back so that the disc brush becomes accessible.
- Place a new disc brush on the floor in front of the device.
- Drive the device with the raised cleaning head over the new disc brush and lower the cleaning head. The brush locks into the drive.

Removing the waste water tank

- Drain off dirt water.



- Lift up the waste water tank and put it aside.

Batteries

Please observe the following warning notes when handling batteries:

	Observe the directions on the battery, in the instructions for use and in the vehicle operating instructions
	Wear eye protection
	Keep children away from acid and batteries
	Danger of explosion
	Fire, sparks, naked flames and smoking must be strictly avoided
	Danger of chemical burns
	First aid
	Warning note
	Disposal
	Do not throw the battery into the regular waste

⚠ DANGER

Risk of explosion. Do not place tools or the like on the battery, i.e. on the terminal poles and cell connectors.

Risk of injury. Ensure that wounds never come into contact with lead. Always clean your hands after having worked with batteries.

Recommended batteries

	Order No.	Volume [m ³]*	Air flow [m ³ /h]**
76 Ah - maintenance-free	6.654-093.0 ¹⁾	1.82	0.73
80 Ah, - low maintenance	6.654-290.0 ¹⁾	6.60	2.64

* Minimum volume of the battery charging room

** Minimum air flow between the battery charging room and the surroundings

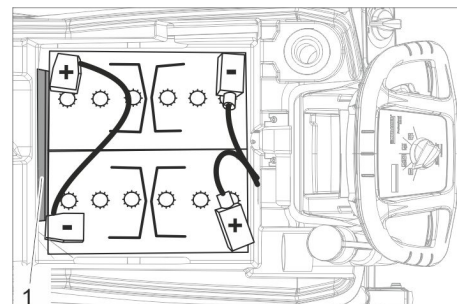
The device requires 2 batteries

¹⁾ Complete set (24 V/76 Ah) incl. connecting cable, order no. 4.035-447.0

²⁾ Complete set (24 V/80 Ah) incl. connecting cable, order no. 4.035-990.0

Insert batteries and connect

- Drain off dirt water.
- Lift up the waste water tank and put it aside.
- Pull out the battery plug.



Battery 6.654-093.0

Battery 6.654-290.0

1 Spacer

- Insert the battery into the device as shown above.
- Insert the spacer between the battery and the device on the side indicated in the illustration.

⚠ CAUTION

When the batteries are installed and removed, the stability of the appliance can be compromised; ensure a safe stance.

- Connect pole using the enclosed connecting cable.
- Connect the connection cable to the free battery poles (+) and (-).

ATTENTION

If the polarity is reversed (positive and negative terminals), the control electronics are destroyed.

Pay attention to correct poles.

- Place the waste water tank on the appliance.

Note:

Charge the batteries before commissioning the appliance.

See also "Charging the batteries".

Removing the batteries

- Set the programme selector switch to "OFF".
- Pull out the battery plug.
- Lift up the waste water tank and put it aside.
- Clamp off the minus pole of the battery.
- Clamp off the remaining cables from the battery.

→ Remove the support blocks or the foam pieces.

⚠ CAUTION

When the batteries are installed and removed, the stability of the appliance can be compromised; ensure a safe stance.

- Remove the batteries.
- Dispose of the used batteries according to the local provisions.

Maintenance contract

To ensure a reliable operation of the appliance maintenance contracts can be concluded with the competent Kärcher sales office.

Frost protection

In case of danger of frost:

- Empty the fresh and waste water tank.
- Store the appliance in a frost-protected room.

Faults

⚠ DANGER

Risk of injury! Set the programme selector switch to "OFF" and pull the

mains plug of the charger prior to performing any work on the appliance. Remove the battery plug from machine.

- Drain and dispose of the dirt water and the residual fresh water.

Faults with display

Display	Correction
ERR B	Check if foreign objects block the brush; remove foreign object if required.
ERR T	Call customer service.
LOW BAT	Charging battery
ERR TEMP	Allow device to cool down.
HandsOff	Release the safety switch and wait until the operating hours or the battery status are displayed. Then operate the safety switch again.
ERR REL	Set the programme selector switch to "OFF", release the safety switch, wait for 3 seconds, restart. If the event recurs, call Customer Service.
ERR PWM	Call customer service.

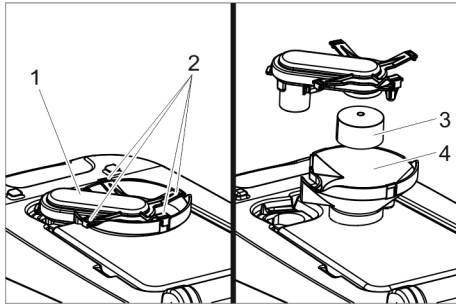
Faults without display on the console

Failure	Correction
Appliance cannot be started	Turn the program selection switch to the desired programme.
	Operate the safety switch.
	Insert battery plug.
	Check battery; charge it if required.
Insufficient water quantity	Make sure that all battery terminals are connected.
	Check fresh water level, refill tank if necessary.
	Increase the water volume on the regulating knob for water volume.
Insufficient vacuum performance	Clean sieve.
	Clean the seals between waste water tank and cover and check for tightness, replace if required.
	Wastewater reservoir is full; shut off the appliance and empty the wastewater reservoir
	Clean the fluff filter.
	Clean the vacuum lips on the vacuum bar, replace if required
	Check if the cover on the dirt water discharge hose is closed
	Check the setting of the vacuum bar.
Check suction hose for blockages; clean if required.	
Insufficient cleaning result	Check the suction hose for tightness; replace if required.
	Check the brushes for wear, replace if required.
Suction turbine is running rough	Clean the swimmer.
Brush does not turn	Check if foreign objects block the brush; remove foreign object if required.
	If over-current switch in the electronics system has been triggered, turn programme selection switch to "OFF". Afterwards, set it back to the desired programme.
Vibrations during cleaning	You might need to use a softer brush.

In case of faults that cannot be remedied using the table below please contact the customer service.

Cleaning the floater

→ Open the cover of the waste water tank.



- 1 Swimmer casing
- 2 Lock hook
- 3 Float
- 4 Lower part

- Pull out the float casing towards the top.
- Detach locking hooks.
- Clean float and bottom part.
- Assemble the float casing and insert it into the device.

Accessories

Description	Part no.:	Description
Disc brush, white (very soft)	4.905-024.0	For the gentle cleaning of sensitive surfaces.
Disk brush, natural (white)	4.905-023.0	Made of natural fibres for spot cleaning and polishing.
Disk brush, red (medium, standard)	4.905-022.0	For the use with all common cleaning tasks.
Disk brush, black (hard)	4.905-025.0	For heavy soiling and for deep cleaning. For robust floorings only.
Driver plate pad	4.762-533.0	For cleaning with pads. With quick change coupling and center lock.
Pad, red (medium soft)	6.369-470.0	For cleaning and cleaning of all floors.
Pad, green (medium hard)	6.369-472.0	For cleaning heavily soiled floors and for deep cleaning.
Pad, white	6.369-469.0	For polishing floors.
Pad, black (hard)	6.369-473.0	With stubborn soiling and for deep cleaning.
Microfiber pad	6.905-526.0	Routine cleaning and basic cleaning of fine stoneware tiles
Pad, beige (natural hair proportion)	6.371-081.0	For polishing and refreshing of hard and flexible floorings.
Diamond pad, white	6.371-256.0	For coarse cleaning and upvaluation. Removes small scratches and ensures a clean, semi-gloss surface.
Diamond pad, yellow	6.371-257.0	For coarse cleaning and upvaluation. Removes fine scratches and ensures an even more homogenous and shiny surface.
Diamond pad, green	6.371-238.0	For polishing high-gloss coated floor coverings and for quick polishing of terrazzo and natural stone surfaces.
Suction bar, 850 mm, straight	4.777-401.0	
Suction bar, 850 mm, bent	4.777-411.0	
Set homebase box	4.035-406.0	
Mop holder	9.753-023.0	
Adapter Homebase	5.035-488.0	
Double hook	6.980-077.0	
Mop clip	6.980-078.0	
Bottle hook	6.980-080.0	
Universal hook	4.070-075.0	

Technical specifications

Power		
Nominal voltage	V	24
Battery capacity	Ah (5h)	80/76
Average power consumption	W	1100
Rated power suction turbine	W	500
Rated power brush drive	W	600
Vacuuming		
Vacuum power, air volume (max.)	l/s	24
Vacuuming power, negative pressure (max.)	kPa (mbar)	12 (120)

Cleaning brushes		
Brush speed	1/min	155
Brush diameter	mm	430
Dimensions and weights		
Theoretical surface cleaning performance	m ² /h	1600
Max. working range incline	%	2
Fresh/waste water tank volume	l	25/25
Max. water temperature	°C	60
Ambient temperature	°C	5...40
Net weight (transport weight)	kg	109(107)
Total weight (ready to operate)	kg	137 (135)

Dimensions of battery compartment	mm	350 x 350
Values determined as per EN 60335-2-72		
Total oscillation value	m/s ²	<2.5
Uncertainty K	m/s ²	0.2
Sound pressure level L _{PA}	dB(A)	66
Uncertainty K _{PA}	dB(A)	1
Sound power level L _{WA} + Uncertainty K _{WA}	dB(A)	81

Accessories and Spare Parts

Only use original accessories and spare parts, they ensure the safe and trouble-free operation of the device. For information about accessories and spare parts, please visit www.kaercher.com.

CONSIGNES DE SÉCURITÉ IMPORTANTES

READ ALL INSTRUCTIONS BEFORE USING THIS APPLIANCE

⚠ AVERTISSEMENT

Pour réduire les risques d'incendie, de choc électrique ou de blessure :

- NE PAS LAISSER l'appareil sans surveillance lorsqu'il est branché. Débrancher l'appareil lorsqu'il n'est pas utilisé et avant de procéder à l'entretien.

⚠ AVERTISSEMENT

– UTILISER L'APPAREIL EXCLUSIVEMENT À L'INTÉRIEUR POUR RÉDUIRE LES RISQUES D'ÉLECTROCUTION

- Ne pas permettre une utilisation comme jouet. Ne jamais le laisser sans surveillance attentive lorsqu'il est utilisé par ou à proximité d'enfants.
- Respecter impérativement les consignes d'utilisation de ce manuel. Utiliser uniquement les accessoires recommandés par le fabricant.
- Ne pas mettre l'appareil en service en cas d'endommagement du cordon ou de la prise. Si l'appareil ne fonctionne pas correctement, s'il est tombé, s'il a été endommagé, s'il est resté à l'extérieur ou est tombé dans l'eau, le retourner à un centre de service.
- Ne pas tirer ou transporter l'appareil par le cordon électrique ou se servir de ce dernier comme d'une poignée. Veiller à ne pas coincer le cordon dans une porte et éviter de le tirer sur des bords ou des coins tranchants. Ne pas laisser l'appareil rouler sur le cordon. Tenir le cordon à l'écart des surfaces chaudes.
- Ne pas tirer sur le cordon électrique pour débrancher l'appareil. Tirer au niveau de la fiche pour déconnecter l'appareil du secteur.
- Ne pas manipuler l'appareil ou la fiche électrique avec les mains mouillées.
- Ne rien introduire dans les orifices. Ne pas utiliser l'appareil si l'un des orifices est obstrué. Protéger les orifices de la poussière, des peluches, des cheveux et autres matières susceptibles de réduire le débit d'air.
- Veiller à ne pas approcher les cheveux, vêtements larges, doigts ou toute autre partie du corps des ori-

fices et composants mobiles de l'appareil.

- Désactiver toutes les commandes avant de débrancher l'appareil.
- Faire particulièrement attention lors du nettoyage d'escaliers.
- Ne pas aspirer de liquides inflammables ou combustibles, tels que de l'essence avec l'appareil. Ne pas utiliser ce dernier dans des zones susceptibles de contenir de tels produits.
- Brancher uniquement sur une prise correctement reliée à la terre. Voir les instructions de mise à terre.
- Toujours déconnecter l'appareil du secteur, avant de procéder à de quelconques opérations d'entretien.
- Ne jamais balayer de liquides explosifs, de gaz inflammables, ni d'acides ou de solvants non dilués ! Il s'agit notamment de substances telles que l'essence, les diluants pour peintures, ou le fuel, qui, en tourbillonnant avec l'air, pourraient produire des vapeurs ou des mélanges, ou de substances telles que l'acétone, les acides ou les solvants non dilués, qui pourraient altérer les matériaux constitutifs de l'appareil.
- Ne pas aspirer d'objets enflammés ou incandescents !

Instructions de mise à terre

Ce produit doit être mis à la terre. En cas de mauvais fonctionnement ou de panne, la mise à la terre établit un chemin de moindre résistance pour le courant électrique afin de réduire le risque de décharge électrique. Ce produit est équipé d'un cordon doté d'un conducteur de mise à la terre de l'équipement et d'une prise de mise à la terre. La prise doit être branchée dans une prise appropriée qui est correctement installée et mise à la terre en conformité avec les codes et ordonnances locaux.

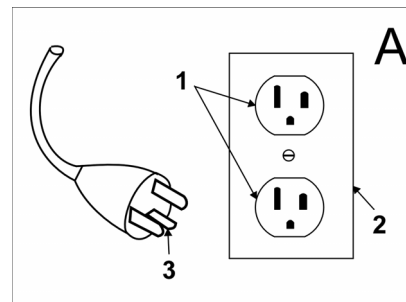
⚠ DANGER

Un conducteur de mise à la terre d'équipement incorrectement branché peut entraîner un risque d'électrocution. Vérifier avec un électricien ou un technicien d'entretien qualifié en cas de doute sur la mise à terre correcte de la prise. Ne pas modifier la fiche fournie avec le produit - si elle ne peut pas être branchée, faire installer une prise appropriée par un électricien qualifié. N'utiliser aucun type d'adaptateur avec ce produit.

Cet appareil a été conçu pour fonctionner à une tension nominale de 120 volts ; sa fiche de mise à la terre est si-

miltaire à celle illustrée à la figure A. S'assurer que la prise de courant utilisée est compatible avec la fiche secteur. Ne pas utiliser d'adaptateur pour brancher cet appareil.

BRANCHER UNIQUEMENT SUR UNE PRISE CORRECTEMENT RELIÉE A LA TERRE



- 1 Prise reliée à la terre
- 2 Socle de prise de courant
- 3 Fiche de mise à terre

REGLES DE SECURITE ET PRATIQUES RELATIVES A L'UTILISATION

Responsabilité du propriétaire/ de l'utilisateur

Avant d'utiliser ce nettoyeur pression, le propriétaire et/ou l'utilisateur doit impérativement avoir pris connaissance des consignes d'utilisation et mises en garde du fabricant.

Il est nécessaire d'insister sur les avertissements et de les comprendre.

Si l'utilisateur ne parle pas couramment l'anglais, l'acheteur/le propriétaire doit lire les consignes et mises en garde du fabricant avec l'utilisateur dans la langue maternelle de ce dernier et s'assurer qu'il en comprend bien le contenu.

Le propriétaire et/ou l'utilisateur doit se familiariser avec les consignes du fabricant et les conserver afin de pouvoir s'y référer ultérieurement.

Généralités

Avant de commencer à faire fonctionner l'unité, soyez dans une position d'opération.

Ne pas démarrer ou utiliser l'appareil, ni aucune de ses fonctions ou accessoires, à partir d'un autre endroit que celui réservé à l'utilisateur.

Avant de quitter le poste de l'utilisateur :

- A arrêter l'appareil ;
- B si l'appareil doit stationner sur une pente, caler les roues.

Conserver une distance de sécurité avec les bords des rampes, des plates-formes et de toutes les autres surfaces de travail du même type.

Ne pas ajouter d'accessoires à l'appareil ni le modifier de quelque manière que ce soit.

Ne pas stationner à un endroit où l'appareil risque d'entraver les issues de secours, les cages d'escaliers ou les équipements de lutte contre l'incendie.

Conduite

Céder la priorité aux piétons ainsi qu'aux véhicules d'urgence comme les ambulances et les camions de pompiers.

Traverser les voies ferrées à angle droit lorsque c'est possible. Ne pas garer l'appareil à moins de 1,8 m de la voie ferrée ou du rail le plus proche.

Veiller à conserver une vue bien dégagée du trajet à emprunter et être attentif à la circulation des autres véhicules, aux déplacements des membres du personnel, ainsi qu'aux espaces de dégagement.

Quelles que soient les conditions de circulation, conserver une vitesse permettant d'arrêter l'appareil en toute sécurité.

Ne jamais adopter de conduite dangereuse (cascades, acrobaties etc.) Ralentir sur les sols mouillés et glissants.

Avant de déplacer l'appareil sur un pont de chargement ou un pont de liaison, s'assurer que celui-ci est correctement sécurisé. Avancer prudemment et lentement sur le pont de chargement ou pont de liaison. Ne jamais dépasser la charge maximale autorisée.

Dans les virages, ralentir et adopter une vitesse de sécurité adaptée à l'environnement d'utilisation. Les virages doivent être abordés sans à-coups.

Entretien de l'appareil par l'utilisateur

Si le véhicule a besoin d'être réparé ou présente un risque quelconque, l'utilisateur doit le signaler immédiatement à son responsable et ne pas utiliser l'appareil avant résolution du problème.

Si, en cours d'utilisation, le véhicule s'avère dangereux de quelque façon que ce soit, signaler immédiatement le problème au responsable concerné et cesser l'utilisation de l'appareil avant résolution du problème.

Ne pas effectuer de réparations ou réglages à moins d'y être expressément autorisé.

PROCEDURES D'ENTRETIEN ET DE REMISE EN ETAT

L'utilisation de l'appareil peut devenir dangereuse si l'entretien est négligé ou si la remise en état ou les réglages

nécessaires ne sont pas effectués en conformité avec les recommandations du fabricant. Par conséquent, il est nécessaire de prévoir des ateliers de maintenance, à l'intérieur ou l'extérieur des bâtiments, avec du personnel dûment formé, ainsi que d'établir des procédures détaillées.

La maintenance et l'inspection de l'appareil doivent être effectuées conformément aux procédures suivantes :

- A Les intervalles prescrits pour la maintenance, la lubrification et le contrôle du système doivent être respectés; se reporter aux instructions du fabricant.
- B Seules les personnes formées et habilitées sont autorisées à utiliser les autolaveuses motorisées. Les utilisateurs de ces appareils doivent avoir les aptitudes visuelles et auditives ainsi que les capacités physiques et mentales requises pour utiliser cet équipement en toute sécurité.

Eviter les risques d'incendie et s'assurer que les locaux sont dotés des équipements nécessaires pour la lutte contre l'incendie. Ne jamais utiliser de bacs ouverts contenant du carburant ou des produits de nettoyage inflammables pour nettoyer les composants de l'autolaveuse motorisée.

NORMES DE SECURITE INCENDIE

Tout appareil dont le fonctionnement représente un risque doit être mis hors service.

Les réparations ne doivent pas être effectuées dans les zones de classe I, II et III.

Prévention des incendies : L'autolaveuse motorisée doit être tenue propre et dans la mesure du possible, protégée des peluches, des déversements d'huile et de la graisse. L'utilisation de produits non inflammables est recommandée pour le nettoyage de l'autolaveuse motorisée. Les liquides inflammables dont le point d'ignition est égal ou supérieur à 37,8 °C (100 °F) ne sont pas autorisés. Prendre les mesures appropriées concernant la toxicité, l'aération, et les risques d'incendie selon le produit ou solvant utilisé.

Visibilité de la plaque signalétique : Les données techniques figurant sur la plaque signalétique de l'appareil ne doivent pas être recouvertes de peinture et les informations d'identification doivent rester visibles.



Lire ce manuel d'utilisation original avant la première utilisation de votre appareil, le respecter et le conserver pour une utilisation ultérieure ou pour le futur propriétaire.

Table des matières

Consignes de sécurité.	FR	2
Fonction	FR	3
Utilisation conforme.	FR	3
Protection de l'environnement	FR	3
Garantie	FR	3
Eléments de commande et de fonction.	FR	4
Avant la mise en service . . .	FR	5
Fonctionnement	FR	6
Arrêt et mise hors marche de l'appareil	FR	7
Transport.	FR	7
Entreposage	FR	7
Entretien et maintenance . .	FR	7
Protection antigel	FR	9
Pannes	FR	9
Accessoires.	FR	11
Caractéristiques techniques	FR	11
Accessoires et pièces de rechange	FR	11

Consignes de sécurité

Lire le présent mode d'emploi ainsi que la brochure ci-jointe Consignes de sécurité pour les aspirateurs eau/poussières n° 5.956-251.0 avant d'utiliser l'appareil et respecter les instructions.

L'appareil ne peut être utilisé que si le capot et tous les couvercles sont fermés.

L'appareil doit uniquement être utilisé sur des surfaces qui ne dépassent pas la pente maximale autorisée ; cf. section "Données techniques".

△ AVERTISSEMENT

Ne pas utiliser l'appareil sur des plans inclinés.

Dispositifs de sécurité

Les dispositifs de sécurité ont pour but de protéger l'utilisateur et ils ne doivent donc jamais être désactivés ni évités.

Coupe-circuit

Lorsque le commutateur de sécurité est relâché, l'entraînement de la brosse s'arrête.

Niveaux de danger

△ DANGER

Signale la présence d'un danger imminent pouvant entraîner de graves blessures corporelles et même avoir une issue mortelle.

△ AVERTISSEMENT

Signale la présence d'une situation éventuellement dangereuse pouvant entraîner de graves blessures corporelles et même avoir une issue mortelle.

⚠ **PRÉCAUTION**

Remarque relative à une situation potentiellement dangereuse pouvant entraîner des blessures légères.

ATTENTION

Remarque relative à une situation éventuellement dangereuse pouvant entraîner des dommages matériels.

Fonction

Cette aspirateur à friction est mis en œuvre pour nettoyer des sols plans par voie humide.

- L'appareil peut être facilement adapté à la tâche de nettoyage par un réglage du débit d'eau et de la quantité de détergent. Le dosage du détergent est ajustable lors de l'ajout dans le réservoir.
- L'appareil dispose d'un réservoir d'eau propre et un réservoir d'eau sale (chacun d'une contenance de 25 litres). Cela garantit un nettoyage efficace pendant une longue durée d'utilisation.
- Une largeur de travail de 430 mm permet une exécution effective en cas d'une haute durée de travail.
- L'avance se fait en poussant à la main et est soutenue par la rotation des brosses. L'entraînement de la brosse est alimenté par deux batteries.
- Les batteries peuvent être sélectionnées conformément à la configuration (cf. à ce sujet le chapitre « Batteries recommandées »)

Remarque :

L'appareil peut être équipé de différents accessoires en fonction de l'application respective.

De plus amples détails figurent dans notre catalogue ou sur notre site Internet www.kaercher.com.



Utilisation conforme

L'utilisation de l'appareil doit être faite en conformité avec les consignes figurant dans les instructions de service.

- L'appareil doit uniquement être utilisé pour nettoyer des surfaces planes non sensibles à l'humidité ni au polissage.
- L'appareil n'est pas approprié pour nettoyer des sols gelés (par exemple dans des entrepôts frigorifiques)
- L'appareil doit uniquement être équipé d'accessoires et de pièces de rechange d'origine.
- L'appareil n'est pas approprié pour l'application dans des environnements à risque d'explosion.

- Ne pas aspirer avec l'appareil des gazes combustibles, acides ou solvants non dilués. Ces-ci sont essence, dilutif de couleurs ou fuel, qui peuvent former des mélanges explosives en touillant avec l'air d'aspiration. Ne pas utiliser d'acétone, d'acides ou de solvants non dilués, du fait de leur effet corrosif sur les matériaux constituant l'appareil.
- L'appareil n'est autorisé au fonctionnement que sur des surfaces ayant la pente maximale indiquée dans les « Caractéristiques techniques ».
- Cet appareil convient à un usage industriel, par exemple dans le cadre d'hôtels, d'écoles, d'hôpitaux, d'usines, de magasins, de bureaux et d'agences de location.
- L'appareil a été conçu pour le nettoyage de sols dans le domaine intérieur ou bien de surfaces couvertes d'un toit.

Protection de l'environnement

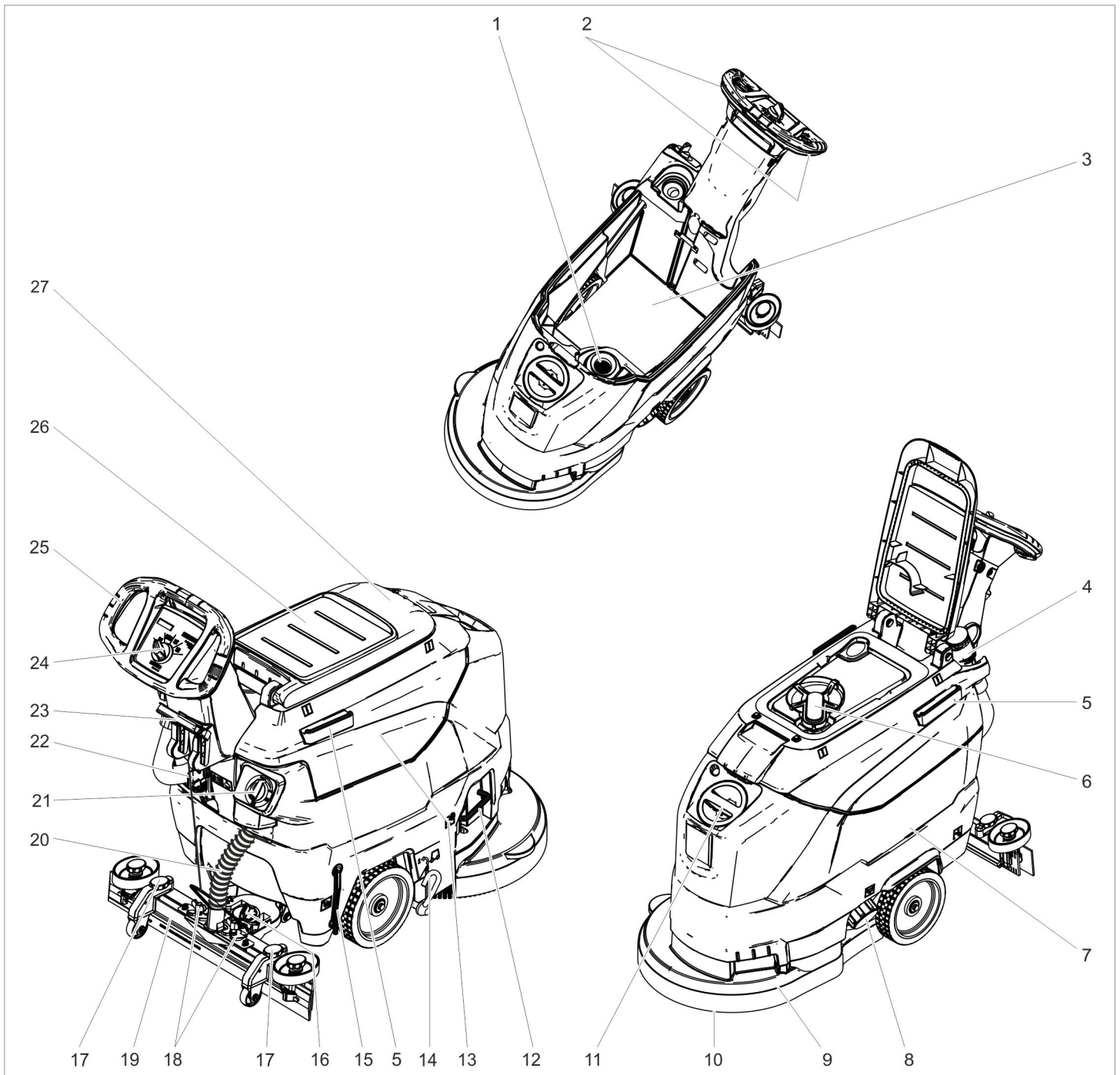
	Les matériaux constitutifs de l'emballage sont recyclables. Ne pas jeter les emballages dans les ordures ménagères, mais les remettre à un système de recyclage.
	Les appareils usés contiennent des matériaux précieux recyclables lesquels doivent être rendus à un système de recyclage. Il est interdit de jeter les batteries, l'huile et des substances similaires dans l'environnement. Pour cette raison, utiliser des systèmes de collecte adéquats afin d'éliminer les appareils hors d'usage.

Instructions relatives aux ingrédients (REACH)

Les informations actuelles relatives aux ingrédients se trouvent sous : www.kaercher.de/REACH

Garantie

Dans chaque pays, les conditions de garantie en vigueur sont celles publiées par notre société de distribution responsable. Les éventuelles pannes sur les accessoires sont réparées gratuitement dans le délai de validité de la garantie, dans la mesure où celles-ci relèvent d'un défaut matériel ou d'un vice de fabrication. En cas de recours en garantie, adressez-vous à votre revendeur ou au service après-vente agréé le plus proche munis de votre preuve d'achat.



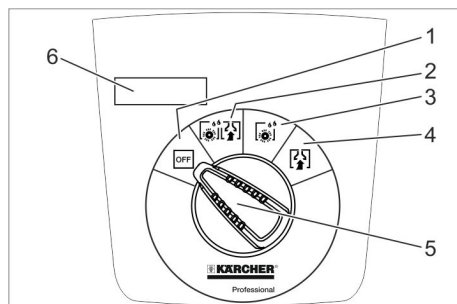
- | | |
|------------------------------------------------------------------------------------------------------------------------------------------------------------------------------------------------------------------------------------------------------------------------------------------------------------------------------------------------------------------------------------------------------------------------------------------------------------------------------------------------------------------------------------------------------------------------------------------------------------------------------------------------------------------------------------------------------|------------------------------------------------------------------------------------------------------------------------------------------------------------------------------------------------------------------------------------------------------------------------------------------------------------------------------------------------------------------------------------------------------------------------------------------------------------------------------------------------------------------------------------------------------------------|
| <ul style="list-style-type: none"> 1 Crible à peluches 2 Coupe-circuit 3 Batterie * 4 Flexible de vidange de l'eau sale avec dispositif de dosage 5 Rail de maintien pour la base fixe 6 Flotteur 7 Réservoir d'eau propre 8 Fermeture du réservoir d'eau propre 9 Tête de nettoyage 10 Disque-brosse 11 Orifice de remplissage pour réservoir d'eau propre 12 Étrier de remplacement de brosse 13 Réservoir d'eau sale 14 Pédale Châssis de transport 15 Jauge de niveau d'eau propre 16 Poignée rotative pour incliner la barre d'aspiration | <ul style="list-style-type: none"> 17 Réglage en hauteur des suceurs * 18 Ecrous-papillon pour fixer la barre d'aspiration 19 Barre d'aspiration * 20 Flexible d'aspiration 21 Bouton de régulation pour la quantité d'eau 22 Connecteurs de la batterie 23 Levier pour abaisser la barre d'aspiration 24 Pupitre de commande 25 Guidon de poussée 26 Surface de dépose pour le kit de nettoyage « Homebase Box » 27 Couverture du réservoir d'eau sale |
|------------------------------------------------------------------------------------------------------------------------------------------------------------------------------------------------------------------------------------------------------------------------------------------------------------------------------------------------------------------------------------------------------------------------------------------------------------------------------------------------------------------------------------------------------------------------------------------------------------------------------------------------------------------------------------------------------|------------------------------------------------------------------------------------------------------------------------------------------------------------------------------------------------------------------------------------------------------------------------------------------------------------------------------------------------------------------------------------------------------------------------------------------------------------------------------------------------------------------------------------------------------------------|

* pas comprise dans l'étendue de livraison

Repérage de couleur

- Les éléments de commande pour le processus de nettoyage sont jaunes.
- Les éléments de commande pour la maintenance et l'entretien sont en gris clair.

Pupitre de commande



- 1 **OFF**
Appareil hors circuit.
- 2 **Mode normal**
Nettoyage humide du sol et aspiration de l'eau sale.
- 3 **Mode intensif**
Nettoyage humide du sol et laisser agir le détergent.
- 4 **Mode aspiration**
Aspirer la saleté.
- 5 Bouton sélecteur de programme
- 6 Ecran

Symboles sur l'appareil

	Connecteurs de la batterie
	Point d'arrimage
	support de mopp **
	Niveau de remplissage du réservoir d'eau propre 25 %
	Étrier de remplacement de brosse
	Levier pour abaisser la barre d'aspiration
	Ouverture de vidange du réservoir d'eau propre
	Flexible de vidange pour eau sale
	Châssis de transport 1 : Transport 0 : Fonctionnement

** Option

Avant la mise en service

Déchargement de la machine

- ➔ Dévisser les vis pour les enlever de la planche centrale de la palette.
- ➔ Pousser l'appareil vers le bas au niveau du guidon et extraire la planche centrale.
- ➔ Retirer les cales à l'avant et sur le côté des roues.
- ➔ Rabaisser l'appareil au niveau du guidon et pousser en marche avant jusqu'au bord de la palette.
- ➔ Lever l'appareil de la palette et le poser sur le sol.

Monter les batteries

Monter les batteries (cf. "Entretien et maintenance / mettre les batteries en place et les raccorder").

Utilisation de batteries d'autres fabricants

Nous recommandons l'utilisation de nos batteries, comme décrit au chapitre "Entretien et maintenance / Batteries recommandées".

Chargement de la batterie

Remarque :

L'appareil dispose d'une protection anti-décharge complète, c'est-à-dire qu'il développe encore la puissance minimale autorisée pour que le moteur de brosse et la turbine soient désactivés.

- ➔ Amener immédiatement l'appareil à la station de charge en évitant les pentes.

⚠ DANGER

Risque d'électrocution. Respecter la tension du réseau et la protection par fusible indiquée sur la plaquette de type de l'appareil.

Processus de charge

Le temps de charge s'élève en moyenne à environ 10-15 heures. L'appareil ne peut pas être utilisé pendant le chargement.

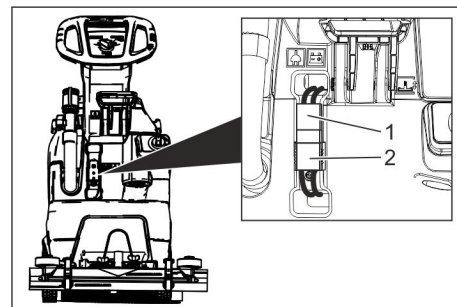
⚠ DANGER

Risque d'explosion
Avant le **chargement de batteries à maintenance réduite**

Retirer le bac d'eau sale (cf. chapitre « Entretien et maintenance / Travaux de maintenance / Retirer le bac d'eau sale »). Cela évitera le dépôt de gaz nocifs pendant le cycle de charge sous le réservoir.

ATTENTION

Risque d'endommagement. Ne pas nettoyer l'appareil à l'eau lorsque le réservoir est retiré.



- 1 Connecteur de la batterie, côté de l'appareil
- 2 Connecteur de batterie, côté de la batterie

- ➔ Retirer le connecteur de batterie sur l'appareil.

ATTENTION

Risque d'endommagement !

- Ne **pas** connecter le chargeur avec le connecteur de batterie sur l'appareil.
- Utiliser uniquement le chargeur adapté au type batterie monté.

Type de pile	Kit de batterie 24 V	Chargeur
6.654-093.0	4.035-447.0	6.654-329.0
6.654-290.0	4.035-990.0	6.654-332.0

Remarque : Lire le mode d'emploi du fabricant du chargeur et en particulier respecter les consignes de sécurité !

- ➔ Connecter le connecteur de batterie sur la batterie avec le chargeur.
- ➔ Brancher la fiche secteur du chargeur dans la prise.
- ➔ Effectuer le cycle de charge selon les données contenues dans le manuel d'utilisation du chargeur.
- ➔ Raccorder le connecteur de batterie situé sur le côté de l'appareil avec le connecteur de batterie situé sur le côté de la batterie.

Batteries pour service à maintenance réduite (batteries humides)

⚠ AVERTISSEMENT

Risque de brûlure!

- Des fuites d'acide peuvent survenir lors du remplissage de la batterie déchargée.
- Porter impérativement des lunettes de protection lors de toute manipulation d'acide de batterie et respecter les consignes afin d'éviter les blessures et l'endommagement des vêtements.
- En cas de projection d'acide sur la peau ou les vêtements, rincer immédiatement et abondamment à l'eau.

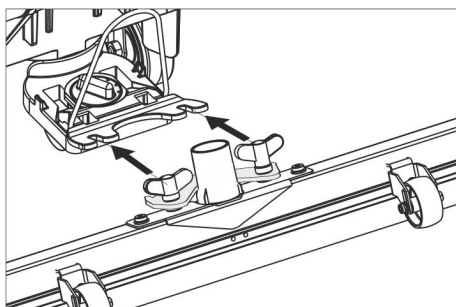
ATTENTION

Risque d'endommagement !

- Pour remplir la batterie, utiliser uniquement de l'eau distillée ou dessalée (EN 50272-T3).
- N'employer aucun additif (produit dit d'amélioration) sous peine d'annulation de toute garantie.
- Ne remplacer les batteries que par des batteries du même type.

Montage de la barre d'aspiration

- Poser les barres d'aspiration dans la suspension de la barre d'aspiration que la tôle profilée se trouve au-dessous de la suspension.
- Serrer à fond les écrous-papillons.



- Emmancher le flexible d'aspiration.

Fonctionnement

⚠ DANGER

Risque de blessure !

En cas de danger, relâcher le commutateur de sécurité/levier de conduite.

Remplissage de carburant

Eau propre

- Ouvrir le verrouillage du réservoir d'eau propre.
- Remplir eau propre (maximale 60 °C) jusqu'au limite inférieure du col de remplissage.
- Fermer le verrouillage du réservoir d'eau propre.

Produit détergent

⚠ AVERTISSEMENT

Risque d'endommagement. Utiliser uniquement les détergents recommandés. Pour tout autre détergent, l'utilisateur prend des risques plus élevés quant à la sécurité du travail et au risque d'accident.

Utiliser uniquement des détergents exempts de solvants, d'acide chlorhydrique et fluorhydrique.

Respecter les consignes de sécurité mentionnées sur les détergents.

Remarque :

Ne jamais utiliser de détergents extrêmement moussants.

Détergents recommandés :

Utilisation	Produit détergent
Nettoyage d'entretien de tous les sols résistants à l'eau	RM 746 RM 780
Nettoyage d'entretien de surfaces brillantes (par exemple du granite)	RM 755 es
Nettoyage d'entretien et nettoyage minutieux de sols dans le secteur industriel	RM 69 ASF
Nettoyage d'entretien et nettoyage minutieux de carrelages en grès cérame fin	RM 753
Nettoyage d'entretien de carrelages dans le secteur sanitaire	RM 751
Nettoyage et désinfection dans le secteur sanitaire	RM 732
Enlèvement d'une couche sur tous les sols résistants aux alcalis (par exemple PVC)	RM 752
Enlèvement d'une couche sur des sols en linoléum	RM 754

- Ajouter du détergent dans le réservoir d'eau propre.

Remarque :

La tête de nettoyage continue de travailler sans ajout de liquide si le réservoir d'eau propre est vide.

Réglage de la quantité d'eau

- Régler la quantité d'eau correspondant à la salissure du sol au bouton de réglage.

Remarque :

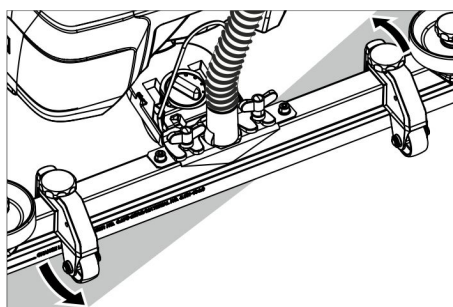
Effectuer des premières essais de nettoyage avec une faible quantité d'eau. Augmenter peu à peu le débit d'eau jusqu'à ce que le résultat souhaité de nettoyage soit atteint.

Réglage de la barre d'aspiration

Position inclinée

Pour améliorer le résultat de l'aspiration sur des revêtements carrelés, il est possible de tourner la barre d'aspiration jusqu'à une position inclinée de 5°.

- Desserrer les vis papillon.
- Tourner la barre d'aspiration.



- Serrer les vis à ailettes.

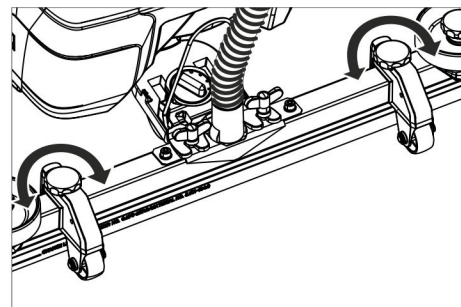
Inclinaison

Si le résultat de l'aspiration n'est pas suffisant, il est possible de modifier le degré d'inclinaison de la barre d'aspiration.

- Poignée rotative pour incliner la barre d'aspiration.

Hauteur

La courbure des lèvres d'aspiration est influencée par le réglage en hauteur en cas de contact avec le sol.



- Régler les poignées rotatives à titre d'essai jusqu'à ce que le meilleur résultat d'aspiration soit obtenu.

Nettoyage

ATTENTION

Risque d'endommagement pour le revêtement de sol. Ne pas exploiter l'appareil sur place.

- Pivoter la pédale pour le châssis de transport vers le bas.
- Tourner le sélecteur de programme sur le programme de nettoyage souhaité.

Abaisser la barre d'aspiration

- Tirer le levier et le presser vers le bas pour abaisser la barre d'aspiration.

Remarque :

- Pour le nettoyage des sols carrelés, régler la barre d'aspiration droite de sorte que le nettoyage ne soit pas effectué en angle droit par rapport aux joints.
- Régler la position inclinée et l'inclinaison de la barre d'aspiration pour obtenir un meilleur résultat d'aspiration (cf. « Régler les barres d'aspiration »).
- Dès que le bac d'eau sale est plein, le flotteur ferme l'ouverture d'aspiration et la vitesse de rotation de la turbine augmente. Dans ce cas, désactiver l'aspiration et se déplacer pour vider le bac d'eau sale.

Arrêt et mise hors marche de l'appareil

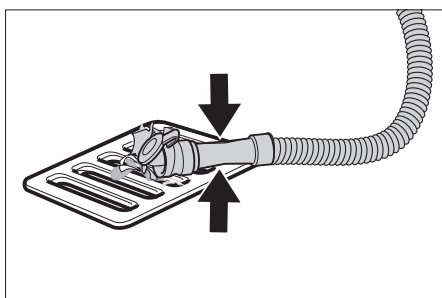
- Relâcher le commutateur de sécurité.
- Positionner le sélecteur de programme sur aspirer.
- Avancer brièvement en avant et aspirer la quantité résiduelle d'eau.
- Soulever la barre d'aspiration.
- En cas échéant, recharger la batterie.

Vider l'eau sale

⚠ **AVERTISSEMENT**

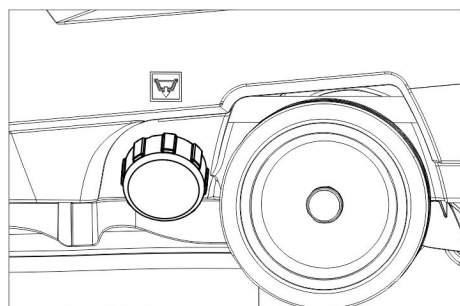
Tenir compte des prescriptions locales pour le traitement des eaux usées.

- Sortir le flexible de vidange du dispositif de maintien et l'abaisser au-dessus d'un collecteur approprié.



- Compresser ou plier le dispositif de dosage.
- Ouvrir le couvercle du dispositif de dosage.
- Laisser s'écouler l'eau sale - régler la quantité d'eau par une pression ou un pli.
- Rincer le réservoir d'eau sale à l'eau propre.

Vider l'eau propre



- Dévisser le bouchon du réservoir d'eau propre.

Transport

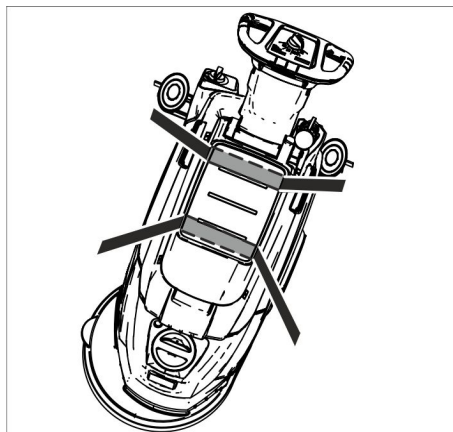
⚠ **DANGER**

Risque de blessure ! L'appareil ne doit être exploité que pour le chargement et le déchargement sur des pentes jusqu'à concurrence de la valeur maxi (voir « Caractéristiques techniques »). Rouler lentement.

⚠ **PRÉCAUTION**

Risque de blessure et d'endommagement ! Respecter le poids de l'appareil lors du transport.

- Soulever la pédale pour le châssis de transport.
- Pousser l'appareil au niveau du guidon de poussée.



- Sécuriser l'appareil contre les glissements ou les basculements selon les directives en vigueur lors du transport dans des véhicules.

Entreposage

⚠ **PRÉCAUTION**

Risque de blessure et d'endommagement ! Prendre en compte le poids de l'appareil à l'entreposage.

Cet appareil doit uniquement être entreposé en intérieur.

Entretien et maintenance

⚠ **DANGER**

Risque de blessure ! Avant d'effectuer des travaux sur l'appareil, positionner le sélecteur de programme sur « OFF » et retirer la fiche secteur du chargeur.

Débrancher le connecteur de la batterie au niveau de la machine.

- Vider et éliminer l'eau sale et le reste d'eau propre.

Plan de maintenance

Après chaque mise en service

ATTENTION

Risque d'endommagement. Ne pas laver l'appareil au jet d'eau et ne jamais utiliser de détergents agressifs.

- Vider l'eau sale.
- Rincer le réservoir d'eau sale à l'eau propre.
- Nettoyer l'extérieur de l'appareil avec un chiffon humide et imbibé de détergent doux.
- Contrôler le tamis à peluches et le cas échéant, le nettoyer.
- Nettoyer les lèvres d'aspiration et les lèvres d'enlèvement, puis contrôler leur degré d'usure et le cas échéant, les nettoyer.
- Contrôler l'usure de la brosse et la remplacer si nécessaire (cf. "travaux d'entretien").

- Charger la batterie :
Si l'état de charge est inférieur à 50 %, recharger la batterie intégralement et sans interruption.
Si l'état de charge est supérieur à 50 %, ne recharger la batterie que si l'entière autonomie est requise lors de la prochaine utilisation.

Hebdomadairement

- En cas d'utilisation régulière, recharger la batterie intégralement au moins une fois par semaine et sans interruption.

Mensuellement

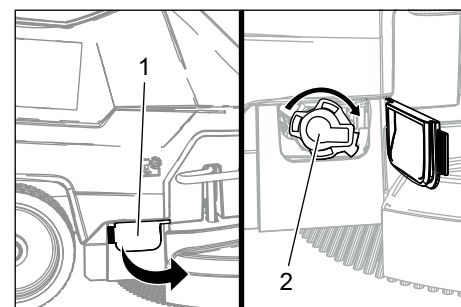
- Vérifier si les pôles de la batterie sont oxydés, les brosser le cas échéant. S'assurer que les câbles de raccordement sont bien branchés.
- Nettoyer les joints entre le réservoir d'eau sale et le couvercle et vérifier s'ils sont étanches, en cas de besoin remplacer.
- Nettoyer le tamis.
- Contrôler en cas de batteries avec maintenance la concentration de l'acide des cellules.
- En cas de période d'arrêt prolongée, n'arrêter l'appareil que lorsque les batteries sont entièrement rechargées. Recharger entièrement la batterie au moins une fois par mois.

Tous les ans

- L'inspection prescrite doit être effectuée par le service après-vente.

Travaux de maintenance

Nettoyer le tamis

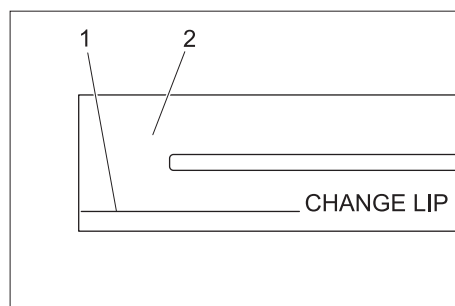


1 Capot

2 Capot

- Ouvrir le cache.
- Tourner le couvercle dans le sens des aiguilles d'une montre et le retirer.
- Sortir et nettoyer le tamis qui se trouve en dessous.
- Insérer le tamis.
- Poser le couvercle et le verrouiller en le tournant dans le sens opposé aux aiguilles d'une montre
- Fermer le couvercle.

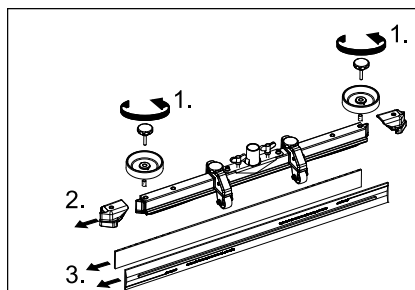
Échanger ou tourner les lèvres d'aspiration



- 1 Marque d'usure
- 2 Lèvre d'aspiration

Les lèvres d'aspiration doivent être remplacées ou retournées si elles sont usées jusqu'au niveau de la marque d'usure.

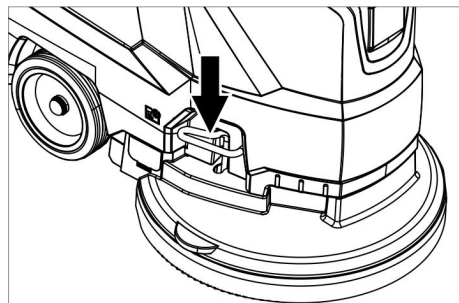
- Retirer la brosse d'aspiration.
- Dévisser le bouton cannelé.



- Retirer les pièces plastiques.
- Retirer les lèvres d'aspiration.
- Mettre de nouvelles lèvres d'aspiration en place ou retourner les anciennes.
- Mettre en place des pièces plastiques.
- Visser et serrer les boutons cannelés.

Remplacement du disque-brosse

- Pousser l'appareil vers le bas au niveau du guidon afin que la tête de nettoyage soit soulevée.
- Presser la pédale pour changer les brosses contre la résistance par le bas.

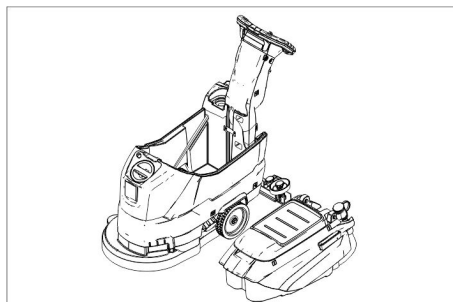


- Retirer l'appareil vers l'arrière afin que le disque-brosse soit accessible.
- Poser le nouveau disque-brosse devant l'appareil sur le sol.
- Déplacer l'appareil avec la tête de nettoyage soulevée au-dessus du nouveau disque-brosse et abaisser la tête de nettoyage.

La brosse s'enclenche dans l'entraînement.

Retirer le bac d'eau sale

- Vider l'eau sale.



- Soulever le réservoir d'eau sale et le basculer sur le côté.

Batteries

Respecter impérativement ces consignes en cas de manipulation des batteries :

	Respecter les consignes situées sur la batterie, dans les instructions de service et dans le mode d'emploi du véhicule
	Porter des lunettes de protection
	Tenir les enfants à l'écart des acides et des batteries
	Risque d'explosion
	Toute flamme, matière incandescente, étincelle ou cigarette est interdite à proximité de la batterie.
	Risque de brûlure
	Premiers soins
	Attention
	Mise au rebut
	Ne pas mettre la batterie au rebut dans le vide-ordures

⚠ DANGER

Risque d'explosion. Ne jamais déposer d'outils ou d'objets similaires sur les bornes et les barrettes de connexion de la batterie.

Risque de blessure. Ne jamais mettre en contact des plaques avec le plomb. Prendre soin de toujours se laver les mains après avoir manipulé la batterie.

Batteries recommandées

	N° de réf.	Volume [m³]*	flux d'air [m³/h]**
76 Ah - sans entretien	6.654-093.0 ¹⁾	1,82	0,73
80 Ah - sans entretien	6.654-290.0 ¹⁾	6,60	2,64

* Volume minimal de la station de charge pour batteries

** flux minimal d'air entre la station de charge pour batteries et l'environnement

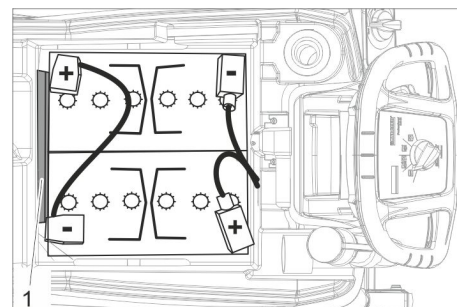
L'appareil nécessite 2 batteries

¹⁾ Jeu complet (24 V/76 Ah), câble de raccordement compris, référence 4.035-447.0

²⁾ Jeu complet (24 V/80 Ah), câble de raccordement compris, référence 4.035-990.0

Montage et branchement de la batterie

- Vider l'eau sale.
- Soulever le réservoir d'eau sale et le basculer sur le côté.
- Retirer le connecteur de batterie.



Batterie 6.654-093.0

Batterie 6.654-290.0

1 Entretoises

- Mettre les batteries dans l'appareil de la manière indiquée ci-dessus.
- Insérer une entretoise sur le côté indiqué sur l'image entre les batteries et l'appareil.

⚠ PRÉCAUTION

Lors du démontage et du remontage des batteries, la position de la machine peut être instable ; veiller à une position sûre.

- Connecter les bornes avec le câble de raccordement ci-joint.
- Brancher le câble de raccordement ci-joint aux bornes de batterie encore libres (+) et (-).

ATTENTION

En cas d'inversion de la polarité (pôle plus et pôle moins), la platine de puissance est détruite.

Respecter la bonne polarité.

- Mettre le bac d'eau sale sur l'appareil.

Remarque :

Charger les batteries avant de mettre l'appareil en service.

Cf. section "Charger les batteries".

Démonter les batteries

- Positionner le sélecteur de programme sur "OFF".
- Retirer le connecteur de batterie.
- Soulever le réservoir d'eau sale et le basculer sur le côté.
- Débrancher le câble du pôle moins de la batterie.
- Déconnecter les câbles restants de la batterie
- Retirer les câbles ou les éléments en mousse.

⚠ PRÉCAUTION

Lors du démontage et du remontage des batteries, la position de la machine peut être instable ; veiller à une position sûre.

- Sortir les piles.
- Jeter les piles dans le respect des dispositions en vigueur.

Contrat de maintenance

Afin de pouvoir garantir un fonctionnement fiable de l'appareil, il est possible de conclure des contrats de maintenance avec le bureau de ventes Kärcher responsable.

Protection antigel

En cas de risque de gel :

- Vider le réservoir d'eau propre et le réservoir d'eau sale.
- Déposer l'appareil dans une pièce à l'abri du gel.

Pannes**⚠ DANGER**

Risque de blessure ! Avant d'effectuer des travaux sur l'appareil, positionner le sélecteur de programme sur « OFF » et retirer la fiche secteur du chargeur.

Débrancher le connecteur de la batterie au niveau de la machine.

- Vider et éliminer l'eau sale et le reste d'eau propre.

Défauts affichés sur l'écran

Affichage de l'écran	Élimination
ERR B	Vérifier si des corps étrangers bloquent la brosse et le cas échéant, éliminer les corps étrangers.
ERR T	Contacteur le service après-vente
LOW BAT	Chargement de la batterie
ERR TEMP	Laisser refroidir l'appareil.
HandsOff	Relâcher le commutateur de sécurité et attendre jusqu'à ce que les heures de service ou le niveau la batterie soient affichés. Actionner ensuite de nouveau le commutateur de sécurité.
ERR REL	Mettre le sélecteur de programme sur « OFF » ; relâcher le commutateur de sécurité ; attendre 3 secondes et remettre en marche. Si cela se renouvelle, appeler le service après-vente.
ERR PWM	Contacteur le service après-vente

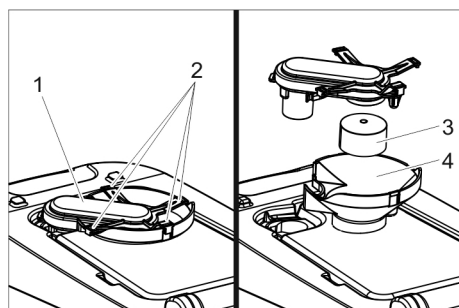
Défauts sans affichage sur l'écran

Défaut	Élimination
Il est impossible de mettre l'appareil en marche	Régler le sélecteur de programme sur le programme voulu.
	Activer le commutateur de sécurité.
	Brancher la fiche de batterie.
	Contrôler la batterie, en cas de besoin charger.
	Contrôler si les pôles de batterie sont bien raccordés.
Quantité d'eau insuffisante	Contrôler le niveau d'eau propre et en cas de besoin, remplir le réservoir
	Augmenter le débit d'eau au niveau du bouton régulateur de débit d'eau.
	Nettoyer le tamis.
Puissance d'aspiration insuffisante	Nettoyer les joints entre le réservoir d'eau sale et le couvercle et vérifier s'ils sont étanches, en cas de besoin remplacer.
	Le bac d'eau sale est plein, mettre l'appareil haute tension et vider le bac d'eau sale.
	Nettoyer le tamis à peluches.
	Nettoyer les lèvres d'aspiration sur la barre d'aspiration et en cas de besoin remplacer.
	Vérifier si le couvercle sur le flexible de vidange d'eau sale est fermé.
	Vérifier le réglage de la barre d'aspiration.
	Contrôler si les flexibles d'aspiration sont bouchés, en cas de besoin nettoyer.
Contrôler si les flexibles d'aspiration sont étanches et en cas de besoin remplacer.	
Résultat de nettoyage insuffisant	Contrôler le degré d'usure de la brosse et le cas échéant, la remplacer.
La turbine d'aspiration tourne de manière irrégulière	Nettoyer du flotteur.
La brosse ne tourne pas	Vérifier si des corps étrangers bloquent la brosse et le cas échéant, éliminer les corps étrangers.
	Lorsque le contacteur de surintensité s'est déclenché dans le système électronique, tourner le sélecteur de programme sur « OFF », puis régler de nouveau le programme voulu.
Vibrations lors du nettoyage	Utiliser éventuellement une brosse plus douce.

En cas de pannes ne pouvant pas être résolues grâce aux instructions de ce tableau, appeler le service après-vente.

Nettoyage du flotteur

→ Ouvrir le couvercle du réservoir d'eau sale.



- 1 Boîtier flotteur
- 2 Crochet de verrouillage
- 3 Flotteur
- 4 Partie inférieure

- Sortir le boîtier du flotteur par le haut.
- Desserrer le crochet de verrouillage.
- Nettoyer le flotteur et la partie inférieure.
- Remonter le boîtier du flotteur et enclencher dans l'appareil.

Accessoires

dés.	Référence	Description
Disque-brosse, blanc (très doux)	4.905-024.0	Pour un nettoyage respectueux des surfaces sensibles.
Disque-brosse, nature (douce)	4.905-023.0	En fibres naturelles, pour nettoyer et lustrer.
Disque-brosse, rouge (moyenne, standard)	4.905-022.0	Pour une utilisation dans toutes les tâches de nettoyage courantes.
Disque-brosse, noire (dure)	4.905-025.0	Pour un encrassement tenace et pour un nettoyage de base. Uniquement pour des revêtements insensibles.
Plateau d'entraînement du pad	4.762-533.0	Pour un nettoyage avec des pads. Avec coupleur rapide et fixation Centerlock.
Pad, rouge (moyennement doux)	6.369-470.0	Pour le nettoyage de tous les sols.
Pad, vert (moyennement dur)	6.369-472.0	Pour le nettoyage de sols fortement encrassés et pour le nettoyage de base.
Pad, blanc	6.369-469.0	Pour le polissage des sols.
Pad, noir (dur)	6.369-473.0	Pour des salissures très tenaces et pour un nettoyage de base.
Pad microfibre	6.905-526.0	Nettoyage d'entretien et nettoyage minutieux de carrelages en grès cérame fin
Pad, beige (parties en poils naturels)	6.371-081.0	Pour lustrer et rafraîchir des revêtements durs et élastiques.
Pad diamant, blanc	6.371-256.0	Pour le nettoyage grossier et la valorisation. Élimine les petites rayures et offre une surface propre matte.
Pad diamant, or	6.371-257.0	Pour le nettoyage grossier et la valorisation. Élimine les petites rayures et offre une surface encore plus homogène et brillante.
Pad diamant, vert	6.371-238.0	Pour lustrer des revêtements de sol très brillants et pour lustrer rapidement le terrazzo et les surfaces en pierre naturelle.
Barre d'aspiration, 850 mm, droite	4.777-401.0	
Barre d'aspiration, 850 mm, coudée	4.777-411.0	
Kit Homebase Box	4.035-406.0	
Support de serpillière	9.753-023.0	
Adaptateur Homebase	5.035-488.0	
Crochet double	6.980-077.0	
Clip serpillière	6.980-078.0	
Crochet bouteille	6.980-080.0	
Crochet universel	4.070-075.0	

Caractéristiques techniques

Puissance		
Tension nominale	V	24
Capacité de la batterie	Ah (5h)	80/76
Puissance absorbée moyenne	W	1100
Puissance nominale de la turbine d'aspiration	W	500
Puissance nominale de l'entraînement de la brosse	W	600
Aspiration		
Puissance d'aspiration, débit d'air (maxi)	l/s	24
Puissance d'aspiration, dépression (max.)	kPa (mbar)	12 (120)
Brosses de nettoyage		
Vitesse des brosses	t/min	155
Diamètre des brosses	mm	430
Dimensions et poids		
Surface théorique-nettoyable	m ² /h	1600
Pente maximale de la zone de travail	%	2

Volume du réservoir d'eau propre/réservoir d'eau sale	l	25/25
Température d'eau max.	°C	60
Température ambiante	°C	5...40
Poids à vide (poids de transport)	kg	109(107)
Poids total (en service)	kg	137 (135)
Dimensions du compartiment batterie	mm	350 x 350
Valeurs définies selon EN 60335-2-72		
Valeur totale de vibrations	m/s ²	<2,5
Incertitude K	m/s ²	0,2
Niveau de pression acoustique L _{pA}	dB(A)	66
Incertitude K _{pA}	dB(A)	1
Niveau de pression acoustique L _{WA} + incertitude K _{WA}	dB(A)	81

Accessoires et pièces de rechange

N'utiliser que des accessoires et pièces de rechange d'origine, ils garantissent le bon fonctionnement de l'appareil.

Vous trouverez des informations relatives aux accessoires et pièces de rechange sur www.kaercher.com.

INSTRUCCIONES IMPORTANTES DE SEGURIDAD

READ ALL INSTRUCTIONS BEFORE USING THIS APPLIANCE

⚠ **ADVERTENCIA**

Para evitar el peligro de incendio, descarga eléctrica o heridas:

- NO ABANDONAR la unidad mientras esté enchufada. Desenchufar cuando no esté en uso y antes de revisar.

⚠ **ADVERTENCIA**

- PARA REDUCIR EL RIESGO DE DESCARGA ELÉCTRICA, USAR SOLO EN INTERIORES
- No permita que se use como juguete. Prestar mucha atención cuando sea usado por y cerca de niños.
- Usar exclusivamente como se describe en este manual. Usar solamente con los complementos recomendados por el fabricante.
- No usar con el cable o la clavija dañados. Si el aparato no funciona como debería, se ha caído al suelo, dañado, dejado al aire libre, o caído al agua, devuélvalo a servicio de atención al cliente.
- No tirar del cable ni transportar el aparato cogido por el cable, no cerrar una puerta sobre el cable, ni pasar el cable por bordes o esquinas afiladas. No pasar el aparato por el cable. Mantener el cable alejado de superficies calientes.
- No tirar del cable para desenchufar el aparato. Para desenchufar, tire de la clavija no del cable.
- No manipular la clavija ni el aparato con las manos mojadas.
- No introducir objetos en los orificios. No usar con cualquiera de los orificios bloqueados; mantener sin polvo, pelusa, pelo y cualquier otra cosa que pueda reducir el flujo de aire.
- Mantener el cabello, la ropa floja, los dedos y todas las partes del cuerpo alejadas de los orificios y partes móviles.
- Apagar los mandos de control antes de desenchufar.
- Usar con especial cuidado cuando limpie escaleras.
- No usar para recoger líquidos inflamables o combustible, como gasolina, ni utilizar el aparato en áreas donde puedan estar presentes.
- Conectar exclusivamente a una toma con puesta a tierra. Consultar las instrucciones de puesta a tierra.

- Desenchufar siempre el cable del enchufe antes de realizar el mantenimiento del aparato.
- ¡No barra nunca líquidos explosivos, gases inflamables ni ácidos o disolventes sin diluir! Entre éstos se encuentran la gasolina, los diluyentes o el fuel, que pueden mezclarse con el aire dando lugar a combinaciones o vapores explosivos. No utilice tampoco acetona, ácidos ni disolventes sin diluir, ya que ellos atacan los materiales utilizados en el aparato.
- No aspire objetos incandescentes, con o sin llama.

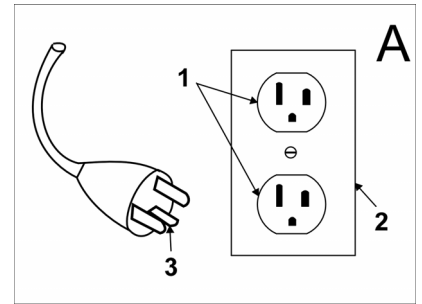
Instrucciones de puesta a tierra

Este producto se tiene que poner a tierra. Si funcionase mal o si se rompiese, la puesta a tierra proporcionaría un circuito menos resistente a la energía eléctrica para reducir el riesgo de electrochoque. Este producto está equipado con un cable que tiene un conductor a tierra y un enchufe a tierra para el equipo. El enchufe se tiene que enchufar a un tomacorriente adecuado, que esté correctamente instalado y puesto a tierra conforme a todas las normas y reglamentos locales.

⚠ **PELIGRO**

Si la conexión del conductor a tierra del equipo es incorrecta puede existir riesgo de electrochoque. En caso de duda, compruebe con ayuda de un electricista cualificado o del personal del servicio técnico que el tomacorriente está correctamente puesto a tierra. No modifique el enchufe proporcionado con el producto; si no encaja en el tomacorriente, pida a un electricista cualificado que le instale un tomacorriente adecuado. No utilice ningún tipo de adaptador con este producto. Este dispositivo está diseñado para usar en un circuito nominal de 120 V y tiene un enchufe de toma a tierra que tiene el aspecto de la figura A. Asegúrese de que el dispositivo esté conectado a una toma de corriente que tenga la misma configuración que la clavija. No se debe usar un adaptador con este equipo.

CONECTAR EXCLUSIVAMENTE A UNA TOMA DE CORRIENTE CON PUESTA A TIERRA



- 1 Toma de corriente con puesta a tierra
- 2 Caja de toma de corriente con puesta a tierra
- 3 Clavija con puesta a tierra

NORMAS Y PRÁCTICAS DE SEGURIDAD PARA EL FUNCIONAMIENTO

Responsabilidades del propietario/usuario

El propietario y/o el usuario deben comprender bien las instrucciones de servicio y advertencias del fabricante antes de empezar a utilizar este limpiador de alta presión. Debe prestarse especial atención y tener muy claras las advertencias. Si el operador no habla bien el español, el propietario/comprador debe responsabilizarse de leer y comentar las instrucciones y las advertencias en su lengua natal, y asegurarse de que entienda a la perfección su contenido. El propietario y/o el usuario deben leer y guardar como referencia para el futuro las instrucciones del fabricante.

Generalidades

Antes de poner en funcionamiento la unidad, ésta deberá encontrarse en la posición de servicio. No arrancar ni poner en funcionamiento la unidad, cualquiera de sus funciones o complementos, en otro sitio que no sea la posición designada de operario. Antes de dejar la posición del operario: A parar completamente el equipo; B si el equipo tiene que estar en una inclinación, bloquear las ruedas. Mantenerse a una distancia segura del borde de rampas, plataformas y otras superficies de trabajo. No realice modificaciones ni añadidos al equipo. No bloquee el acceso a las salidas de emergencias de incendios, escaleras o equipo antiincendios.

Conducción

Ceder el paso a peatones y vehículos de emergencias como ambulancias o camiones de bomberos.

Cruce vías de tren en ángulo siempre que sea posible. No aparcar a menos de 1800 mm de la vía del tren.

Mantener una buena vista del camino por el que conduce y preste atención al tráfico, personal y seguridad.

Operar el equipo siempre a una velocidad que permita parar de manera segura.

No permita realizar escenas peligrosas ni jugar con el equipo.

Reducir la velocidad en suelos húmedos y resbaladizos.

Antes de conducir sobre un muelle o puente, asegúrese de que esté bien seguro. Conducta con cuidado y lentamente por el muelle o puente, y no exceda nunca la capacidad indicada.

Al sortear curvas, reduzca la velocidad a un nivel seguro de acuerdo con el ambiente de funcionamiento. Sortear las curvas con cuidado.

Cuidados del equipo realizados por el operario

Si el equipo necesita ser reparado o es inseguro, o favorece una situación insegura, se deberá informar del problema inmediatamente al encargado designado por el usuario, y no se pondrá en funcionamiento el equipo hasta que se recupere el estado de funcionamiento seguro.

Si el equipo se vuelve inseguro de cualquier modo durante su funcionamiento, se deberá informar del problema inmediatamente al encargado designado por el usuario, y no se pondrá en funcionamiento el equipo hasta que se recupere el estado de funcionamiento seguro.

No realizar reparaciones o ajustes a no ser que se autorizó específicamente.

MANTENIMIENTO Y PRÁCTICAS DE RECONSTRUCCIÓN

El funcionamiento del equipo puede resultar peligros si no realiza el mantenimiento o se llevan a cabo reparaciones, reconstrucciones o ajustes que no correspondan con los criterios de diseño del fabricante. Por lo tanto, se deben poner a disposición lugares de mantenimiento (en el mismo local o en otro lugar), personal cualificado, y procedimientos detallados.

El mantenimiento e inspección de la unidad se realizará de acuerdo con las siguientes prácticas:

A a un mantenimiento planificado, le seguirán lubricación e inspección del sistema: consulte las recomendaciones del fabricante.

B Sólo se permitirá operar un aparato para limpieza de suelos motorizado a personas formadas y autorizadas. Los operarios de aparatos de limpieza de suelos motorizados deberán estar cualificados y tener la capacidad visual, auditiva, física y mental para operar equipos de forma segura.

Evitar los riesgos de incendios y tener equipo de protección de incendios en el área de trabajo. No usar recipientes abiertos de fuel o líquidos inflamables de limpieza para las limpiar las piezas.

NORMA DE SEGURIDAD CONTRA INCENDIOS

Cualquier unidad que no esté en un estado de funcionamiento seguro será retirada de servicio.

No se realizarán reparaciones en ubicaciones de clase I, clase II y clase III.

Prevención de incendios. Se mantendrá el equipo limpio y sin pelusas, exceso de aceite y grasa en la medida de lo posible. Es preferible utilizar productos no combustibles para limpiar el equipo. No está permitido utilizar líquidos inflamables [aquellos que tengan puntos de inflamación de o superior a 37,8°C (100°F)]. Se deberá tomar precauciones ante la toxicidad, ventilación e incendios con el producto o disolvente usado.

Visibilidad de la placa identificadora. Las denominaciones de tipo de equipo se indican en la placa identificadora y no se deben cubrir las marcas de tipo con pintura para que no se vea la información de identificación.



Antes del primer uso de su aparato, lea este manual original, actúe de acuerdo a sus indicaciones y guárdelo para un uso posterior o para otro propietario posterior.

Índice de contenidos

Indicaciones de seguridad . ES	2
Función ES	3
Uso previsto ES	3
Protección del medio ambiente ES	3
Garantía ES	3
Elementos de operación y funcionamiento ES	4
Antes de la puesta en marcha ES	5
Funcionamiento. ES	6
Detención y apagado ES	6
Transporte. ES	7
Almacenamiento ES	7
Cuidados y mantenimiento . ES	7
Protección antiheladas ES	9
Averías ES	10
Accesorios. ES	11
Datos técnicos. ES	12
Accesorios y piezas de re- puesto ES	12

Indicaciones de seguridad

Antes de utilizar por primera vez el aparato, lea y tenga en cuenta el presente manual de instrucciones y el folleto adjunto relativo a las indicaciones de seguridad para aparatos de limpieza con cepillos y aparatos pulverizados, 5.956-251.0.

El aparato solo se puede poner en funcionamiento cuando el capó y todas las tapas estén cerradas.

El aparato solo se puede operar en superficies que no superen la inclinación máxima permitida, véase el apartado "Datos técnicos".

⚠ ADVERTENCIA

No utilizar el aparato en cuestas inclinadas.

Dispositivos de seguridad

La función de los dispositivos de seguridad es proteger al usuario y está prohibido ponerlos fuera de servicio y modificar o ignorar su funcionamiento.

interruptor de seguridad

Si se suelta el interruptor de seguridad, se apaga el accionamiento de los cepillos.

Niveles de peligro

⚠ PELIGRO

Para un peligro inminente que acarrea lesiones de gravedad o la muerte.

⚠ ADVERTENCIA

Para una situación que puede ser peligrosa, que puede acarrear lesiones de gravedad o la muerte.

⚠ PRECAUCIÓN

Indicación sobre una situación que puede ser peligrosa, que puede acarrear lesiones leves.

CUIDADO

Aviso sobre una situación probablemente peligrosa que puede provocar daños materiales.

Función

La fregadora/aspiradora sirve para efectuar la limpieza en húmedo de pisos llanos.

- El aparato se puede adaptar fácilmente a la tarea de limpieza que corresponda ajustando el caudal de agua y cantidad de detergente. La dosis de detergente se puede ajustar añadiendo en el depósito.
- El aparato dispone de un depósito de agua fresca y uno de agua sucia (25 litros respectivamente); permitiendo una limpieza efectiva en las duraciones largas de uso.
- Un ancho de trabajo de 430 mm permite un uso eficaz en aplicaciones largas.
- La marcha se realiza empujando con la mano y se ayuda con la rotación de los cepillos. El accionamiento de cepillos se alimenta con dos baterías.
- Se configuran las baterías según la configuración (véase el capítulo "baterías recomendadas" al respecto).

Indicación:

En función de la tarea de limpieza de que se desee realizar, es posible dotar al aparato de distintos accesorios.

Solicite nuestro catálogo o visítenos en la página de internet www.kaercher.com.

Uso previsto

Utilice el aparato únicamente de conformidad con las indicaciones del presente manual de instrucciones.

- El aparato ha sido concebido exclusivamente para la limpieza de suelos lisos resistentes a la humedad y al pulido.
- El aparato no es apto para la limpieza de pisos congelados (p. ej., en almacenes frigoríficos).
- Sólo está permitido dotar al aparato de accesorios y piezas de repuesto originales.
- El aparato no es apto para el uso en entornos con peligro de explosión.
- Con el aparato no se puede aspirar gases combustibles, ácidos no diluidos ni disolventes.

Como gasolina, diluyentes cromáticos o fuel, que se pueden formar mezclas explosivas con el aire aspirado. Tampoco use acetona, ácidos ni disolventes sin diluir, ya que atacan a los materiales utilizados en el aparato.

- El aparato está autorizado para el funcionamiento sobre superficies con una inclinación máxima indicada en el apartado "Datos técnicos".
- Este aparato es apto para el uso en aplicaciones industriales, como en hoteles, escuelas, hospitales, fábricas, tiendas, oficinas y negocios de alquiler.
- El aparato ha sido concebido para la limpieza de pisos en interiores o superficies techadas.

Protección del medio ambiente



Los materiales empleados para el embalaje son reciclables y recuperables. No tire el embalaje a la basura doméstica y entréguelo en los puntos oficiales de recogida para su reciclaje o recuperación.



Los aparatos viejos contienen materiales valiosos reciclables que deberán ser entregados para su aprovechamiento posterior. Evite el contacto de baterías, aceites y materias semejantes con el medioambiente. Por este motivo, entregue los aparatos usados en los puntos de recogida previstos para su reciclaje.

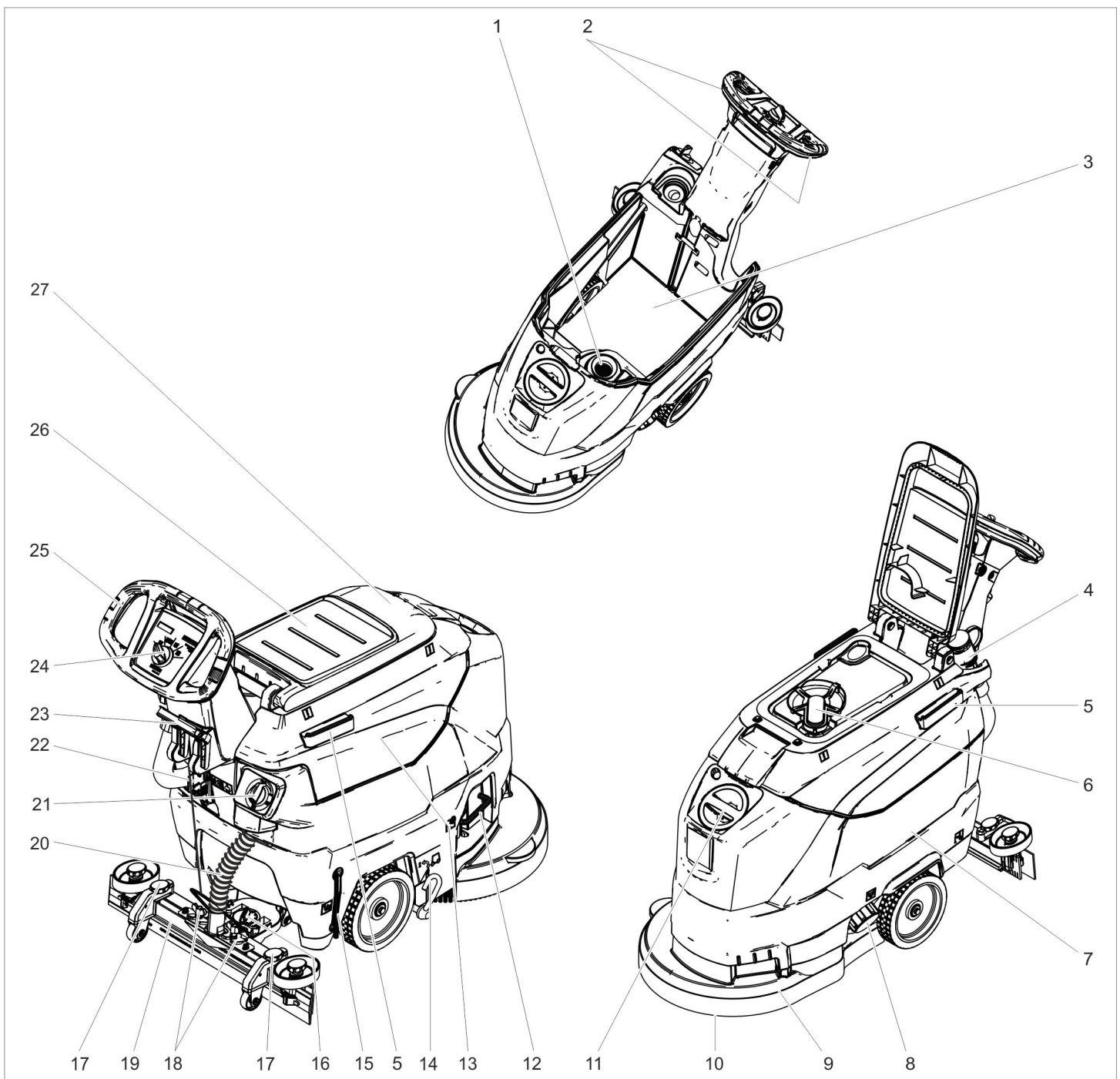
Aviso sobre sustancias (REACH)

Aquí encontrará información actual sobre las sustancias:

www.kaercher.de/REACH

Garantía

En todos los países rigen las condiciones de garantía establecidas por nuestra empresa distribuidora. Las averías del accesorio serán subsanadas gratuitamente dentro del periodo de garantía, siempre que se deban a defectos de material o de fabricación. En un caso de garantía, le rogamos que se dirija con el comprobante de compra al distribuidor donde adquirió el aparato o al servicio al cliente autorizado más próximo a su domicilio.



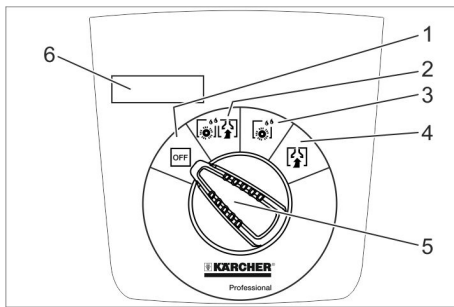
- | | |
|------------------------------------------------------------------------------------------------------------------------------------------------------------------------------------------------------------------------------------------------------------------------------------------------------------------------------------------------------------------------------------------------------------------------------------------------------------------------------------------------------------------------------------------------------------------------------------------------------------------------------------------------------------------------------------------------------------------------------------------------|---------------------------------------------------------------------------------------------------------------------------------------------------------------------------------------------------------------------------------------------------------------------------------------------------------------------------------------------------------------------------------------------------------------------------------------------------------------------------------------------------------------------------------------------------------------------|
| <ul style="list-style-type: none"> 1 Filtro de pelusas 2 Interruptor de seguridad 3 Batería * 4 Manguera de salida de agua sucia con dispositivo de dosificación 5 Barra de sujeción para la Homebase 6 Flotador 7 Depósito de agua limpia 8 Cierre del depósito de agua limpia 9 Cabezal limpiador 10 cepillo en forma de disco 11 Orificio de llenado del depósito de agua limpia 12 Estribo del cambio del cepillo 13 Depósito de agua sucia 14 Pedal del dispositivo de transporte 15 Indicador de nivel de agua limpia 16 Empuñadura giratoria para inclinar la barra de aspiración | <ul style="list-style-type: none"> 17 Configuración de altura de la barra de aspiración * 18 Tuercas de mariposa para fijar la barra de aspiración 19 Barra de aspiración * 20 Manguera de aspiración 21 Botón regulador del caudal de agua 22 Enchufe de batería 23 Palanca de bajada de la barra de aspiración 24 Pupitre de mando 25 Estribo de empuje 26 Superficie de apoyo para el set de limpieza "Homebase Box" 27 Tapa del depósito de agua sucia |
|------------------------------------------------------------------------------------------------------------------------------------------------------------------------------------------------------------------------------------------------------------------------------------------------------------------------------------------------------------------------------------------------------------------------------------------------------------------------------------------------------------------------------------------------------------------------------------------------------------------------------------------------------------------------------------------------------------------------------------------------|---------------------------------------------------------------------------------------------------------------------------------------------------------------------------------------------------------------------------------------------------------------------------------------------------------------------------------------------------------------------------------------------------------------------------------------------------------------------------------------------------------------------------------------------------------------------|

* no incluido en el volumen de suministro

Identificación por colores

- Los elementos de control para el proceso de limpieza son amarillos.
- Los elementos de control para el mantenimiento y el servicio son de color gris claro.

Pupitre de mando



- 1 OFF**
El aparato está apagado.
- 2 Modo normal**
Limpiar en húmedo del suelo y aspirar el agua sucia.
- 3 Modo intensivo**
Limpiar en húmedo del suelo y dejar actuar al detergente.
- 4 Modo de aspiración**
Aspire la suciedad.
- 5 Selector de programas**
- 6 anuncio**

Símbolos en el aparato

	Enchufe de batería
	Punto de amarre
	Soporte para la mopa **
	Nivel del depósito de agua limpia 25%
	Estribo del cambio del cepillo
	Palanca de bajada de la barra de aspiración
	Orificio de purgado del depósito de agua limpia
	Manguera de salida de agua sucia
	Dispositivo de transporte 1: Transporte 0: Servicio

**) Opción

Antes de la puesta en marcha

Descarga

- ➔ Desatornillar los tornillos de la tabla central del palé.
- ➔ Presionar el aparato hacia abajo por el estribo de empuje y extraer la tabla central.
- ➔ Quitar la cuña de detrás o junto a las ruedas.
- ➔ Presionar el aparato hacia abajo por el estribo de empuje y desplazarlo hacia el borde del palé.
- ➔ Levantar el aparato del palé y colocarlo sobre el suelo.

Montar las baterías

Montar las baterías (véase "Cuidados y mantenimiento / Colocar y conectar baterías").

Uso de baterías de otros fabricantes

Recomendamos usar nuestras baterías, tal y como se indica en el capítulo "Cuidados y mantenimiento/baterías recomendadas".

Carga de batería

Indicación:

El aparato dispone de una protección contra descarga total, es decir, si se alcanza la medida máxima permitida de capacidad, se apaga el motor de los cepillos y la turbina.

- ➔ Conducir el aparato directamente a la estación de carga, evitar subidas.

⚠ PELIGRO

Peligro de lesiones por descarga eléctrica. Respetar la tensión de red y los seguros de la placa de características del aparato.

Proceso de carga

El tiempo de carga dura aproximadamente 10-15 horas.

El aparato no se puede utilizar durante el proceso de carga.

⚠ PELIGRO

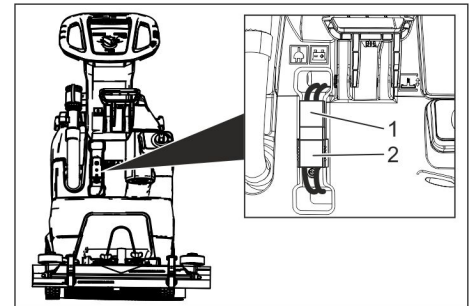
Peligro de explosiones

Antes de cargar baterías que no precisen mantenimiento

Extraer el depósito de agua sucia (véase capítulo "Cuidados y mantenimiento/trabajos de mantenimiento/extraer el depósito de agua sucia") De este modo se evita que se concentren gases peligrosos debajo del depósito durante el proceso de carga.

⚠ CUIDADO

Peligro de daños en la instalación. No limpiar con agua el aparato con el depósito quitado.



- 1 Enchufe de la batería, lateral de la batería
- 2 Enchufe de batería, lateral de la batería

- ➔ Desconecte la clavija de la batería de la parte del aparato.

CUIDADO

¡Peligro de daños!

- **No conectar el cargador con la clavija de la batería del lado del aparato.**
- **Utilizar solo el cargador adaptado al tipo de batería montado:**

Tipo de batería	Conjunto de baterías 24 V	Cargador
6.654-093.0	4.035-447.0	6.654-329.0
6.654-290.0	4.035-990.0	6.654-332.0

Indicación: ¡Leer el manual de instrucciones del fabricante del cargador y respetar especialmente las indicaciones de seguridad!

- ➔ Conectar la clavija de la batería del lateral de la batería con el cargador.
- ➔ Enchufar el cargador en la clavija.
- ➔ Cargar conforme a las indicaciones del manual de instrucciones del cargador.
- ➔ Conectar la clavija de batería del aparato con la clavija de batería del lateral del batería.

Baterías que no requieren apenas mantenimiento (baterías húmedas)

⚠ ADVERTENCIA

¡Peligro de causticación!

- *Rellenar con agua cuando la batería está descargada puede provocar una salida de ácido.*
- *Cuando trate con ácido de baterías, lleve siempre unas gafas de seguridad y respetar las normas, para evitar lesiones y daños a la ropa.*
- *Lavar inmediatamente con mucha agua las posibles salpicaduras de ácido sobre la piel o la ropa.*

⚠ CUIDADO

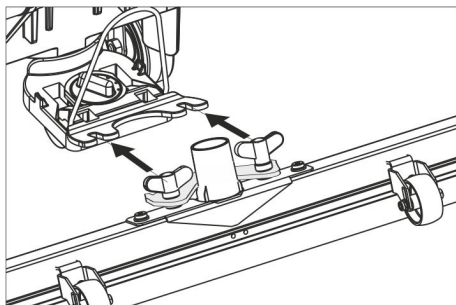
¡Peligro de daños!

- *Utilizar únicamente agua destilada o desalada (EN 50272-T3) para rellenar las baterías.*

- No utilizar más sustancias (los llamados agentes de mejora), de lo contrario desaparecerá la garantía.
- Sustituir las baterías por otras del mismo tipo.

Montaje de la barra de aspiración

- Coloque la barra de aspiración en su soporte de modo que la chapa perfilada quede por encima del soporte.
- Apriete las tuercas de mariposa.



- Coloque la manguera de aspiración.

Funcionamiento

⚠ PELIGRO

¡Peligro de lesiones!

En caso de peligro, soltar el interruptor de seguridad/pedal de marcha.

Adición de combustibles

Agua limpia

- Abrir el cierre del depósito de agua limpia.
- Llenar con agua limpia (máximo 60°C) hasta el borde inferior de la boca de llenado.
- Cerrar el cierre del depósito de agua limpia.

Detergente

⚠ ADVERTENCIA

Peligro de daños en la instalación. Utilice únicamente el detergente recomendado. En caso de usar otros detergentes, el propietario-usuario asume unos mayores riesgos en lo que a la seguridad durante el funcionamiento y al peligro de sufrir accidentes se refiere.

Utilice únicamente detergentes que no contengan disolventes, ácidos clorhídricos ni ácidos hidrofúricos.

Tener en cuenta las indicaciones de seguridad de los detergentes.

Indicación:

No utilice detergentes altamente espumosos.

Detergente recomendado:

Empleo	Detergente
Limpeza de mantenimiento de todos los suelos resistentes al agua	RM 746 RM 780

Limpeza de mantenimiento de superficies brillantes (p. ej., granito)	RM 755 es
Limpeza de mantenimiento y limpieza a fondo de suelos industriales	RM 69 ASF
Limpeza de mantenimiento y limpieza a fondo de suelos industriales	RM 753
Limpeza de mantenimiento de azulejos en el ámbito sanitario	RM 751
Limpeza y desinfección en el ámbito sanitario	RM 732
Decapado de todos los suelos resistentes a los álcalis (p.ej., PVC)	RM 752
Decapado de suelos de sintasol	RM 754

- Introducir el detergente en el depósito de agua limpia.

Indicación:

El cabezal de limpieza sigue trabajando sin alimentación de líquido si el depósito de agua fresca está vacío.

Ajuste del caudal de agua

- Ajustar el caudal de agua con el botón regulador de acuerdo con la suciedad del pavimento del suelo.

Indicación:

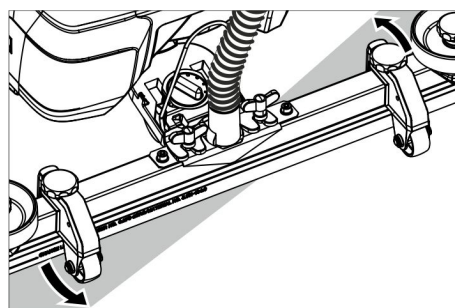
Llevar a cabo los primeros intentos con menos caudal de agua. Aumentar el caudal de agua poco a poco, hasta alcanzar el resultado de limpieza deseado.

Ajuste de la barra de aspiración

Posición en diagonal

Para mejorar el resultado de la aspiración en pavimentos alicatados, se puede girar la barra de aspiración hasta una posición en diagonal de 5°.

- Soltar los tornillos de mariposa.
- Gire la barra de aspiración.



- Apretar los tornillos de mariposa.

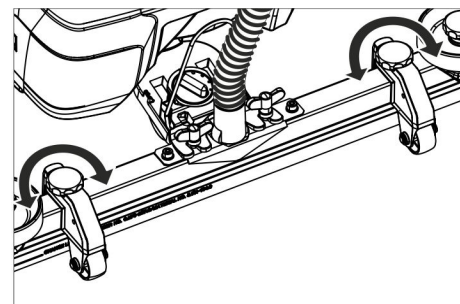
Inclinación

Si el resultado de la aspiración no resulta satisfactorio, se puede modificar la inclinación de la barra de aspiración recta.

- Ajustar la empuñadura giratoria para inclinar la barra de aspiración.

Altura

Con el ajuste de la altura se regula el pliegue de los racores de aspiración en contacto con el suelo.



- Intentar reajustar las empuñaduras giratorias del ajuste de la altura hasta alcanzar el mejor resultado de aspiración.

Limpeza

¡CUIDADO!

Peligro de daños para el revestimiento del suelo. No utilice el aparato en esa zona.

- Girar hacia abajo el pedal para el dispositivo de transporte.
- Gire el selector de programas hasta el programa de limpieza deseado.

Baje la barra de aspiración

- Extraer la palanca y presionar hacia abajo; se baja la barra de aspiración.

Indicación:

- Para limpiar pavimentos alicatados ajustar la barra de aspiración recta para que no se limpie en ángulo recto a las juntas.
- Para obtener mejores resultados de aspiración se puede ajustar la posición diagonal y la inclinación de la barra de aspiración (véase "Ajustar barra de aspiración").
- Si el recipiente de suciedad está lleno, un flotador cierra el orificio de aspiración y la turbina de aspiración gira con un mayor número de revoluciones. En este caso, desconectar la aspiración y desplazarse para vaciar el depósito de agua sucia.

Detención y apagado

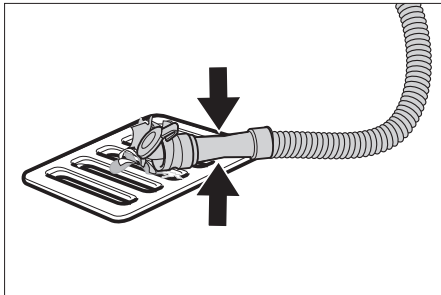
- Soltar el interruptor de seguridad.
- Coloque el selector de programas en posición de absorber.
- Avanzar brevemente hacia delante y aspirar el caudal de agua restante.
- Levante la barra de aspiración.
- Cargar la batería si es necesario.

Purgue el agua sucia

⚠ **ADVERTENCIA**

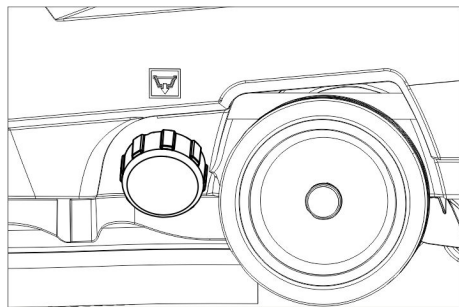
Respetar la normativa local vigente en materia de tratamiento de aguas residuales.

- Retire del soporte la manguera de salida y bájela mediante un mecanismo recogedor adecuado.



- Presionar o doblar el dispositivo de dosificación.
- Abra la tapa del dispositivo de dosificación.
- Purgar el agua sucia, regular el caudal de agua mediante presión o doblez.
- Aclare el depósito de agua sucia con agua limpia.

Purgar el agua limpia



- Desatornillar el cierre del depósito de agua limpia.

Transporte

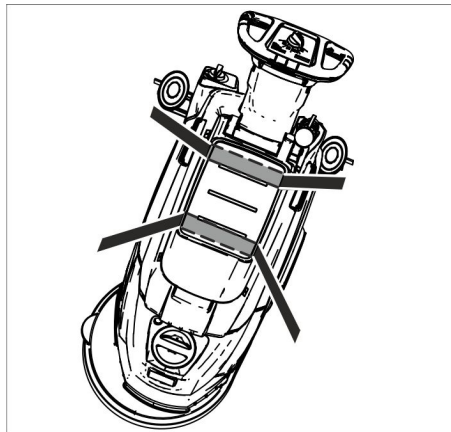
⚠ **PELIGRO**

¡Peligro de lesiones! El aparato solo se puede operar para cargar y descargar en inclinaciones con un valor máximo (véase "Datos técnicos"). Conducir lentamente.

⚠ **PRECAUCIÓN**

¡Peligro de lesiones y daños! Respetar el peso del aparato para el transporte.

- Elevar el pedal para el dispositivo de transporte.
- Desplazar el aparato con el estribo de empuje.



- Al transportar en vehículos, asegurar el aparato para evitar que resbale y vuelque conforme a las directrices vigentes.

Almacenamiento

⚠ **PRECAUCIÓN**

¡Peligro de lesiones y daños! Respetar el peso del aparato en el almacenamiento.

Este aparato sólo se puede almacenar en interiores.

Cuidados y mantenimiento

⚠ **PELIGRO**

Peligro de lesiones. Antes de efectuar cualquier trabajo en el aparato, gire el selector de programas hasta la posición "OFF" y desenchufe la clavija de red del cargador.

Desenchufar la batería de la máquina.

- Purgue el agua sucia y el agua limpia sobrante y elimínela.

Plan de mantenimiento

Después de cada puesta en marcha

CUIDADO

Peligro de daños en la instalación. No salpique al aparato con agua ni utilice detergentes agresivos.

- Purgue el agua sucia.
- Aclare el depósito de agua sucia con agua limpia.
- Limpie el aparato por fuera con un trapo húmedo ligeramente empapado en una solución jabonosa suave.
- Compruebe el filtro de pelusas; en caso necesario, límpielo.
- Limpie los labios de aspiración y los labios de secado; compruebe si presentan desgaste y, en caso necesario, cámbielos.
- Compruebe si los cepillos presentan desgaste y, en caso necesario, cámbielos (véase "Trabajos de mantenimiento").

- Cargar la batería:

Cargar la batería por completo y sin interrupción cuando el estado de carga sea inferior al 50 %.

Si el estado de carga es superior al 50 %, recargar la batería solo si se necesita un tiempo de funcionamiento completo durante la próxima utilización.

Todas las semanas

- Con una utilización regular, cargar la batería por completo y sin interrupción una vez por semana como mínimo.

Mensualmente

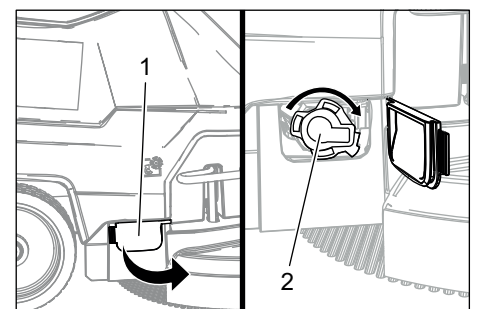
- Comprobar la oxidación de los polos de la batería, cepillar si es necesario. Cerciorarse del asiento firme y correcto del cable de conexión.
- Limpie las juntas situadas entre el depósito de agua sucia y la tapa; compruebe su estanqueidad y, en caso necesario, cámbielas
- Limpie el tamiz.
- En el caso de baterías que requieran mantenimiento, comprobar la estanqueidad al ácido de los elementos.
- Durante largos tiempos de inactividad, desconectar el equipo solo con la batería completamente cargada. Volver a cargar la batería por completo una vez al mes como mínimo.

Anualmente

- Encargue al servicio técnico la revisión anual obligatoria.

Trabajos de mantenimiento

Limpie el tamiz

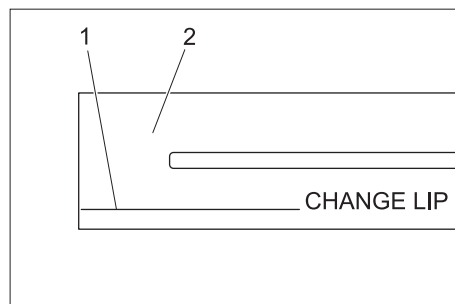


1 Cubierta

2 Tapa

- Abrir la cubierta.
- Girar la tapa en sentido horario y retirarla.
- Extraer y limpiar el tamiz que está debajo.
- Colocar el tamiz.
- Colocar la tapa y cerrarla girándola en el sentido contrario al de las agujas del reloj
- Cerrar la cubierta.

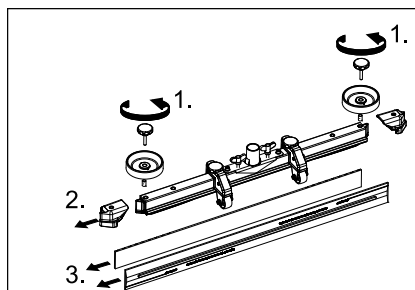
Cambiar o girar los labios de aspiración



- 1 Marca de desgaste
- 2 Labio de aspiración

Los racores de aspiración se tienen que cambiar o dar la vuelta hasta que estén desgastados hasta la marca de desgaste.

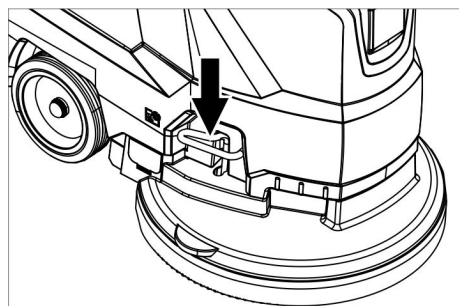
- Retire la barra de aspiración.
- Desatornille los mangos en estrella.



- Retire las piezas de plástico.
- Retire los labios de aspiración.
- Introducir los racores de aspiración nuevos o dados la vuelta.
- Coloque las piezas de plástico.
- Atornille y apriete los mangos en estrella.

Cambiar el cepillo de disco

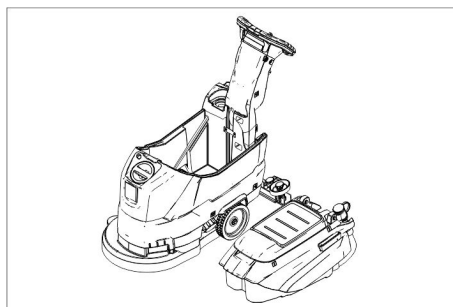
- Presionar hacia abajo el aparato por el estribo de empuje para elevar el cabezal de limpieza.
- Pisar hacia abajo el pedal de cambio de cepillos más allá del punto de resistencia.



- Tirar hacia atrás del aparato para acceder al cepillo de disco.
 - Colocar un nuevo cepillo de disco en el suelo delante del aparato.
 - Desplazar el aparato con el cabezal de limpieza elevado sobre el nuevo cepillo de disco y bajar el cabezal de limpieza.
- La escobilla se encaja en el accionamiento.

Extraiga el depósito de agua sucia

- Purgue el agua sucia.



- Levantar el depósito de agua sucia y girar hacia un lado.

Baterías

Al manipular baterías, tenga siempre en cuenta las siguientes advertencias:

	<i>Tenga en cuenta las indicaciones presentes en la batería, en las instrucciones de uso y en el manual del vehículo.</i>
	<i>Use protección para los ojos</i>
	<i>Mantenga a los niños alejados del ácido y las baterías</i>
	<i>Peligro de explosiones</i>
	<i>Prohibido hacer fuego, producir chispas, aplicar una llama directa y fumar</i>
	<i>Peligro de causticación</i>
	<i>Primeros auxilios</i>
	<i>Nota de advertencia</i>
	<i>Eliminación de desechos</i>
	<i>No tire la batería al cubo de la basura</i>

⚠ PELIGRO

Peligro de explosiones. No coloque herramientas u otros objetos similares sobre la batería, es decir, sobre los terminales y el conector de elementos. Peligro de lesiones. No deje nunca que el plomo entre en contacto con las heridas. Luego de trabajar con las baterías, límpiese siempre las manos.

Baterías recomendadas

	Nº referencia	Volumen [m ³]	Corriente de aire [m ³ /h]**
76 Ah, no precisa mantenimiento	6.654-093.0 ¹⁾	1,82	0,73
80 Ah, no precisa mantenimiento	6.654-290.0 ¹⁾	6,60	2,64

* Volumen mínimo del compartimento de carga de la batería

** Corriente de aire mínima entre el compartimento de carga de la batería y el entorno

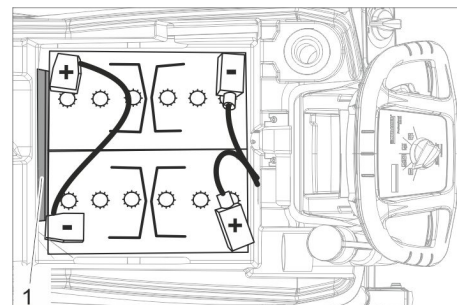
El aparato necesita 2 baterías

¹⁾ Kit completo (24 V/76 Ah) incl. cable de conexión, N.º ref. 4.035-447.0

²⁾ Kit completo (24 V/80 Ah) incl. cable de conexión, N.º ref. 4.035-990.0

Colocar la batería y cerrar

- Purgue el agua sucia.
- Levantar el depósito de agua sucia y girar hacia un lado.
- Desconecte la clavija de la batería.



Batería 6.654-093.0

Batería 6.654-290.0

1 Distanciador

- Colocar las baterías en el aparato como se indica más arriba.
- Insertar el distanciador entre las baterías y el aparato en el lateral indicado en la imagen.

⚠ PRECAUCIÓN

Mientras se desmontan y montan las baterías, la máquina puede estar poco estable, procurar mantener una posición segura.

- Conectar los polos con el cable de conexión que viene incluido.
- Enganchar el cable de conexión suministrado al polo de batería libre (+) y (-).

CUIDADO

Al cambiar la polaridad (polo positivo y negativo) se estropea el sistema electrónico de control.

Asegúrese de colocar la polaridad correctamente.

→ Colocar el depósito de agua sucia en el aparato.

Indicación:

Cargar las baterías antes de poner el aparato en funcionamiento.

Para ello véase el apartado "Cargar baterías".

Desmontar las baterías

- Coloque el selector de programas en posición "OFF".
- Desconecte la clavija de la batería.
- Levantar el depósito de agua sucia y girar hacia un lado.
- Enganchar el cable del polo negativo de la batería.
- Desembornar el resto del cable de las baterías.
- Quitar las cuñas o las piezas de espuma.

⚠ PRECAUCIÓN

Mientras se desmontan y montan las baterías, la máquina puede estar poco estable, procurar mantener una posición segura.

- Extraer las baterías.
- Eliminar las baterías usadas de acuerdo con las normativas vigentes.

Contrato de mantenimiento

Para garantizar el funcionamiento seguro del aparato, es posible firmar contratos de mantenimiento con el departamento comercial correspondiente de Kärcher.

Protección antiheladas

En caso de peligro de heladas:

- Vacíe el depósito de agua limpia y el depósito de agua sucia.
- Guarde el aparato en un lugar protegido de las heladas.

Averías

⚠ PELIGRO

Peligro de lesiones Antes de efectuar cualquier trabajo en el aparato, gire el selector de programas hasta la posi-

ción "OFF" y desenchufe la clavija de red del cargador.

Desenchufar la batería de la máquina.

➔ Purgue el agua sucia y el agua limpia sobrante y elimínela.

Averías con indicación en pantalla

Indicador de pantalla	Solución
ERR B	Compruebe si hay cuerpos extraños bloqueando los cepillos y, de ser así elimínelos.
ERR T	Acuda al servicio técnico
LOW BAT	Cargue la batería
ERR TEMP	Deje enfriar el aparato.
HandsOff	Soltar el interruptor de seguridad y esperar hasta que se muestren horas de servicio o estado de la batería. A continuación accionar de nuevo el interruptor de seguridad.
ERR REL	Poner el selector de programas en "OFF", soltar el interruptor de seguridad, esperar 3 segundos, conectar de nuevo. Si se repite, llamar al servicio técnico
ERR PWM	Acuda al servicio técnico

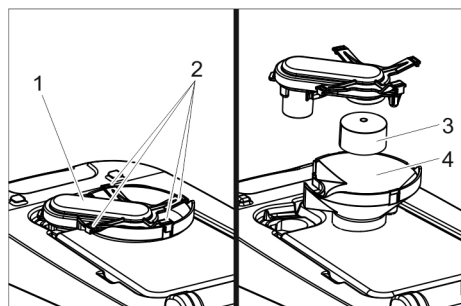
Averías sin indicación en pantalla

Fallo	Solución
No se puede poner en marcha el aparato	Ajustar el selector de programas al programa deseado.
	Accionar el interruptor de seguridad.
	Conectar el enchufe de la batería.
	Comprobar la batería, si es necesario recargar.
	Comprobar si los polos de la batería están conectados.
Caudal de agua insuficiente	Compruebe el nivel de agua limpia y, de ser necesario, llene el depósito.
	Aumentar la cantidad de agua con el botón regulador del caudal de agua.
	Limpie el tamiz.
Potencia de aspiración insuficiente	Limpie las juntas situadas entre el depósito de agua sucia y la tapa; compruebe su estanqueidad y, en caso necesario, cámbielas
	El depósito de agua sucia está lleno, parar el aparato y vaciar el depósito de agua sucia.
	Limpie el filtro de pelusas.
	Limpie los labios de aspiración de la barra de aspiración y, en caso necesario, cámbielos
	Compruebe si está cerrada la tapa de la manguera de salida de agua sucia.
	Compruebe el ajuste de la barra de aspiración.
	Compruebe si los tubos de aspiración están atascados, si es necesario limpiar.
Compruebe si el tubo de aspiración está hermética y, en caso necesario, cámbielo.	
Resultados de limpieza insuficientes	Compruebe si los cepillos presentan desgaste y, en caso necesario, cámbielos.
La turbina de succión marcha fuera de circunferencia	Limpie el flotador.
Los cepillos no giran	Compruebe si hay cuerpos extraños bloqueando los cepillos y, de ser así elimínelos.
	Si se activa el interruptor de sobrecorriente en el sistema electrónico, girar el selector de programas a "OFF", a continuación ajustar de nuevo al programa deseado.
Vibraciones durante la limpieza	Utilizar otros cepillos más blandos si es necesario.

Cuando las averías no se puedan solucionar con ayuda de la tabla que aparece a continuación, acuda al servicio técnico.

Limpiar el flotador

→ Abrir la tapa del depósito de agua sucia.



- 1 Carcasa del flotador
- 2 Gancho de enclavamiento
- 3 Flotador
- 4 Parte inferior

- Retirar la carcasa del flotador hacia arriba.
- Soltar los ganchos.
- Limpiar el flotador y la parte inferior.
- Volver a ensamblar la carcasa del flotador y meterla en el aparato.

Accesorios

Denominación	No. de pieza	Descripción
Escobilla de disco, blanca (muy blanda)	4.905-024.0	Para una limpieza cuidadosa de superficies delicadas.
Escobilla de disco, natural (suave)	4.905-023.0	De fibras naturales para limpiar y pulir.
Escobilla de disco, rojo (medio, estándar)	4.905-022.0	Para usar en todas las tareas de limpieza convencionales.
Cepillo de disco, negro (duro)	4.905-025.0	Para suciedades más grandes y para limpieza básica. Solo para pavimentos que no sean delicados.
Platillo motriz de pads	4.762-533.0	Para limpieza con almohadillas. Con acoplamiento de cambio rápido y centerlock.
Almohadilla, roja (semi suave)	6.369-470.0	Para limpiar todo tipo de pavimentos.
Almohadilla, verde (semi dura)	6.369-472.0	Para limpiar suelos muy sucios y para la limpieza básica.
Almohadilla, blanco	6.369-469.0	Para pulir pavimentos.
Almohadilla, negra (dura)	6.369-473.0	Para suciedades resistentes y para la limpieza básica.
Almohadilla de microfibra	6.905-526.0	Limpieza de mantenimiento y limpieza a fondo de suelos industriales
Almohadilla, beige (partes de cerdas naturales)	6.371-081.0	Para pulir y refrescar pavimentos duros y elásticos.
Almohadilla diamantada, blanco	6.371-256.0	Para la limpieza preliminar y la revalorización. Elimina pequeñas rasaduras, garantizando una superficie limpia, satinada.
Almohadilla diamantada, amarillo	6.371-257.0	Para la limpieza preliminar y la revalorización. Elimina pequeñas rasaduras, garantizando una superficie más homogénea y más brillante.
Almohadilla diamantada, verde	6.371-238.0	Para esmerilar pavimentos con revestimiento de alto brillo y para el pulido rápido de terraza y de superficies de piedra natural.
Barra de aspiración, 850 mm, recta	4.777-401.0	
Barra de aspiración, 850 mm, doblada	4.777-411.0	
Set Homebase Box	4.035-406.0	
Soporte para la mopa	9.753-023.0	
Adaptador Homebase	5.035-488.0	
Gancho doble	6.980-077.0	
Clip para mopa	6.980-078.0	
Gancho para botella	6.980-080.0	
Gancho universal	4.070-075.0	

Datos técnicos

Potencia		
Tensión nominal	V	24
Capacidad de batería	Ah (5h)	80/76
Consumo medio de potencia	W	1100
Potencia nominal de la turbina de absorción	W	500
Potencia nominal del accionamiento de cepillos	W	600
Aspirar		
Capacidad de aspiración, cantidad de aire (máx.)	l/s	24
Potencia de aspiración, depresión, (máx.)	kPa (mbar)	12 (120)
Cepillos de limpieza		
Nº de rotaciones de los cepillos	1/min	155
Diámetro cepillos	mm	430
Medidas y pesos		
Potencia teórica por metro cuadrado	m ² /h	1600
Inclinación máx. del área de trabajo	%	2
Volumen de los depósitos de agua limpia y agua sucia	l	25/25
máx. temperatura del agua	°C	60
Temperatura ambiente	°C	5...40
Peso en vacío (peso de transporte)	kg	109(107)
Peso total (listo para el servicio)	kg	137 (135)
Dimensiones del compartimiento de la batería	mm	350 x 350
Valores calculados conforme a la norma EN 60335-2-72		
Valor total de oscilación	m/s ²	<2,5
Inseguridad K	m/s ²	0,2
Nivel de presión acústica L _{pA}	dB(A)	66
Inseguridad K _{pA}	dB(A)	1
Nivel de potencia acústica L _{WA} + inseguridad K _{WA}	dB(A)	81

Accesorios y piezas de repuesto

Utilice solamente accesorios y recambios originales, ya que garantizan un funcionamiento correcto y seguro del equipo.

Puede encontrar información acerca de los accesorios y recambios en www.kaercher.com.



<http://www.kaercher.com/dealersearch>

